



## ILA SERIES SELECTABLE LINEAR STRIP

Client:  
Project:  
Type:  
Quantity:

### CONSTRUCTION

8-Foot compact design channel formed from cold-rolled 22-gauge steel with matte White finish. 1/2" knockout made on end cap for sensor or surface conduit mount.

Optional version: removable socket cap allows end-to-end continuous row mount.

### OPTICS

End-to-end U-shaped diffused polycarbonate (PC) lens standard.

### ELECTRICAL

Delivered 130lm/W efficacy LEDs offer 80+ color rendering index (CRI), L70 >56,000 hours expected life.

-40°C up to 50°C (-40°F up to 122°F) maximum operating temperature.

Selectable lumen and CCT technology allows easy field-adjustable capability.

Luminaire ships with maximum output and 4000K CCT setting.

Driver operates at 120-277V input, 0-10V dimmable driver, dimmable down to 10%.

### SENSORS (OPTIONAL)

SENSOR-819-O1 End mount on/off motion sensor with lowbay lens.

SENSOR-819-D1 End mount on/off/dimming and photocell sensor with lowbay lens.

SENSOR-BLE-819 End mount ALS CONTROL bluetooth on/off motion sensor lowbay lens.

SENSOR-BLE-7 Integral Microwave Bluetooth Wireless Motion/on/off/dimming/photosensing.

SENSOR-ANT-3C-B1 Integral Microwave Motion/on/off/dimming/photosensing.

CONTROL-LVFA AVI-ON Bluetooth Mesh Controller.

### MOUNTING

Designed for direct wire or as a portable luminaire with use of power cord.\*

Surface mountable underneath electrical box (5" OD beauty ring included).

Integral V hooks for chain mount included.\*\*

Option "-LINK": Fixture made with removable end cap, end-to-end connector included, IL8A linkable up to 10 luminaires.

### STANDARD FINISH

Corrosion resistant semi-gloss White finish, suitable for damp location.

### CERTIFICATION

Damp location label standard.

Meets Buy America Act requirements.

All luminaires are built to UL1598 standards and bear appropriate cULus labels.

For Emergency application, equipment with UL924 certified battery packs.

DLC® Premium (DesignLights Consortium Qualified)

### WARRANTY

5 year warranty, see Limited Warranty for additional information.



### SHIPPING DATA

Product	Measurement	Weight
IL8A	96"L x 3"W x 3.03"H	10 lb



**ILA SERIES SELECTABLE LINEAR STRIP**

**ORDER INFORMATION** **EXAMPLE: IL 8A-SWSC WH UD**

<b>Fixture</b>	<b>Series</b>	<b>Size</b>	<b>Finish</b>	<b>Input</b>
	<b>IL</b>		<b>WH</b>	<b>UD</b>

Accessories  
Options

**A SERIES**

IL Linear Strips

**B SIZE**

<b>Code</b>	<b>Size</b>	<b>Power</b>	<b>CCT</b>
<b>8A-SWSC</b>	8-Foot	48W / 68W / 90W	3500K / 4000K / 5000K

**C FINISH**

WH White

**D INPUT**

UD 110-277V, 0-10V Dimmable

**E ACCESSORIES/OPTIONS**

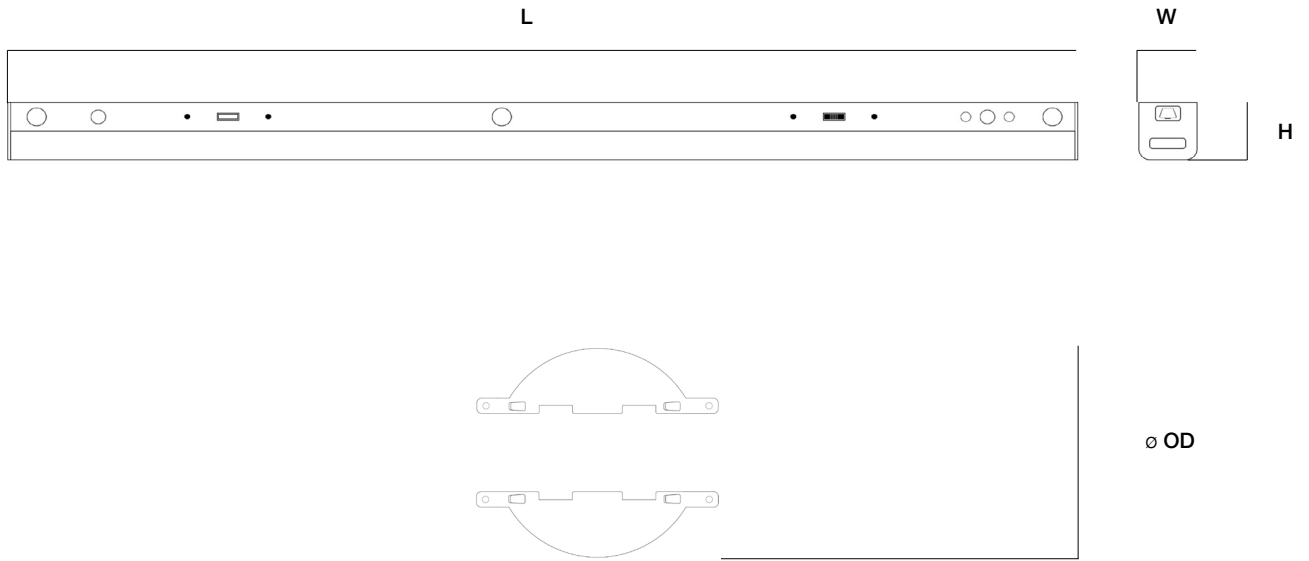
<b>AIA</b>	Assembled in America, compliant with BAA (COTS)
<b>BRACKET-IL8A</b>	Row Mount Bracket
<b>MOUNT-HIGHBAY-CK</b>	Gripple Hanger Kit
<b>EMB-8W-B**</b>	8W Emergency Battery 170VDC Forward Voltage
<b>SENSOR-819-O1*</b>	End mount on/off motion sensor with lowbay lens
<b>SENSOR-819-D1*</b>	End mount on/off/dimming and photocell sensor with lowbay lens
<b>SENSOR-BLE-819-L1*</b>	End Mount PIR Bluetooth Daylight Harvesting Sensor (ALS Control Mobile App) / <b>L1:</b> up to 20FT
<b>SENSOR-BLE-7*</b>	Integral Microwave Bluetooth Wireless Bi-Level Motion Sensor (ALS Control Mobile App)
<b>SENSOR-ANT-3C-B1*</b>	Integral Microwave Bi-Level Motion Sensor
<b>CONTROL-LVFA*</b>	AVI-ON Bluetooth Mesh Control System
<b>SURGE-LSP4-U</b>	10kV inline Surge Protection for Universal input
<b>REMOTE-RC100</b>	Handheld Remote Commissioning Tool for SENSOR-819-D1/D2 Only, ANT Series
<b>-CORD</b>	18-3 300V 6 Foot Cord
<b>-PLUG</b>	18-3 300V 6 Foot and 3 Prong Plug

\*see page 5 for sensor  
 \*\*see page 6 for emb spec

**ILA SERIES SELECTABLE LINEAR STRIP**

**DIMENSIONS**

Model	L	W	H	OD
IL8A	93.76" (2382mm)	2.57" (65mm)	2.68" (68mm)	-
Beauty Ring	-	-	-	ø 5.00" (127mm)



Surface Mount Beauty Ring  
 Mounts on back of the fixture

**ILA SERIES SELECTABLE LINEAR STRIP**

**PERFORMANCE DATA**

SYSTEM WATTS	SIZE	VOLTAGE	LUMEN	LPW	QTY ON PALLET
18W	2-Foot	120-277V	2340	130	380
22W	2-Foot	120-277V	2862	130	380
22W	4-Foot	120-277V	2862	130	240
28W	4-Foot	120-277V	3643	130	240
36W	4-Foot	120-277V	4684	130	240
44W	4-Foot	120-277V	5727	130	240
48W	8-Foot	120-277V	6590	137	100
68W	8-Foot	120-277V	9336	137	100
90W	8-Foot	120-277V	12062	134	100

**ILA SERIES SELECTABLE LINEAR STRIP**

**SENSOR SPEC**

Model	Type	Mounting	Coverage	Input	Function	Programmable
SENSOR-819-O1	PIR	20FT	30FT radius	Universal	On/Off	-
SENSOR-819-D1	PIR	20FT	30FT radius	Universal	On/Off/Dimming	REMOTE-RC100
SENSOR-BLE-819 (see page 8 for detail)	PIR	L1 - 20FT	30FT radius	Universal	Bluetooth Mesh On/Off/Dimming Daylight Harvesting	ALS Control Bluetooth Mobile App
SENSOR-BLE-7 (see page 9 for detail)	Microwave	up to 13FT	17FT radius	12V DC	Bluetooth Mesh On/Off/Dimming Motion Daylight Sensing	ALS Control Bluetooth Mobile App
SENSOR-ANT-3C-B1	Microwave	up to 12FT	12FT radius	10V DC	On/Off/Dimming Motion Daylight Sensing	REMOTE-RC100
CONTROL-LVFA (see page 7 for detail)	Fixture Controller	-	-	12V DC	Bluetooth Mesh On/Off/Dimming Scheduling	AVI-ON Bluetooth Mobile App



SENSOR-819-XX  
SENSOR-BLE-819



SENSOR-BLE-7



SENSOR-ANT-3C-B1

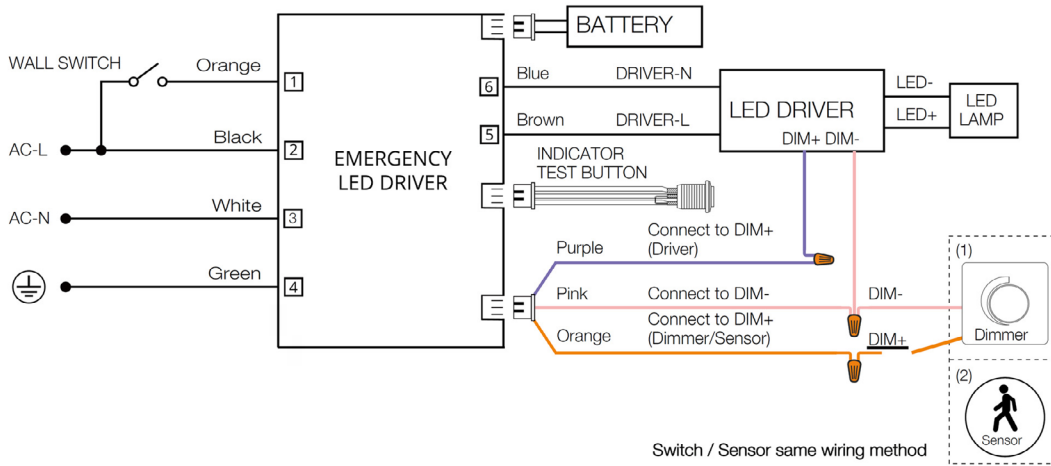


CONTROL-LVFA

**ILA SERIES SELECTABLE LINEAR STRIP**

**EMB SPEC**

Model	Compatible Fixture	Battery Capacity	Input	Output	Output Power	Operating Temp	Installation
EMB-8W-B	IL8A-SWSC	90mins	100-347VAC	170VDC	8W	0°C ~ 50°C 32°F ~ 122°F	Factory or Field Install



**ILA SERIES SELECTABLE LINEAR STRIP**

**CONTROL-LVFA SPEC**

**Status LEDs & Config Button**

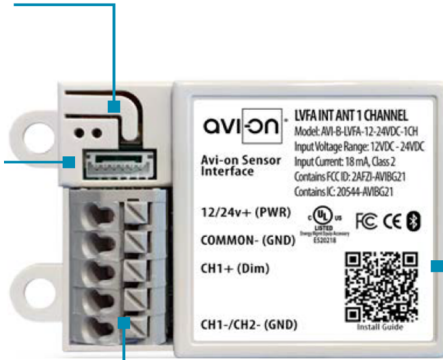
Quick and easy validation of wiring and network

**Direct Connect™ Sensor Port**

Simple and cost-effective addition to Avi-on sensors

**Terminal Blocks & Mounting Tabs**

Faster, easier and lower cost installation eliminating connectors



**Internal Antenna**

Improved performance and eliminates risk of accidentally cutting a hanging wire

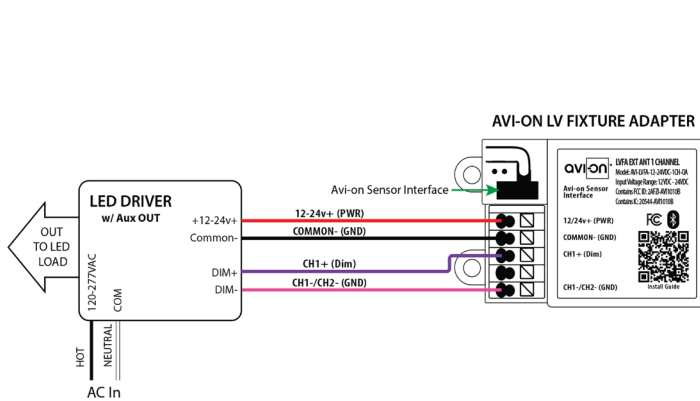
**SPECIFICATIONS**

**INPUT VOLTAGE:** 12-24VDC  
**CURRENT:** 15mA without a Sensor  
 19mA with a DC PIR Sensor  
 48mA with a DC Microwave Sensor  
**0-10V DIMMING:** 12-24VDC  
**SIZE:** 2.30in x 1.43in x 0.75in  
 (58.2mm x 36.4mm x 19mm)  
**MOUNTING:** Removable mounting tabs  
**WEIGHT:** 0.45 oz (16g)  
**OPERATING TEMP:** -22°F to +158°F (-30°C to + 70°C)

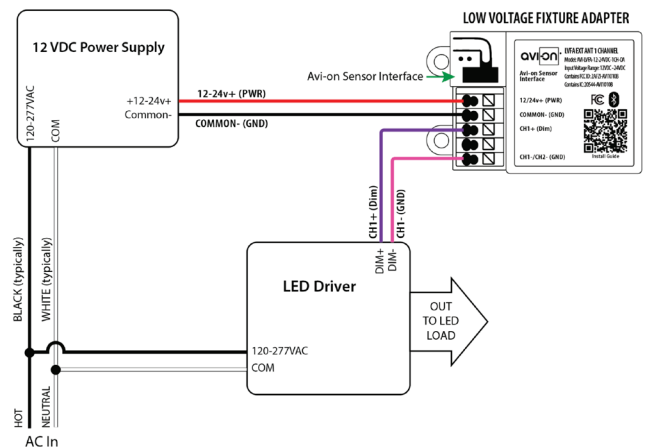
**RADIO FREQUENCY:** 2.4GHz  
**WIRELESS STANDARD:** BLE 4.2 with Mesh  
**POINT TO POINT RANGE\*:** 80ft with obstructions  
 350ft unobstructed  
**SECURITY:** AES 128-bit encryption for device to device communication  
 AES 256-bit encryption for device to cloud communication  
**WARRANTY:** 5 years; 10 years optional  
**REGULATORY:** FCC: 2AFZI-AVI1010 B  
 IC: 20544-AVI1010 B  
 BQB: D031801, DID: 86303  
 UL 916, 2043 (Plenum Rated)

\*When communicating through the mesh, range is essentially unlimited (5000ft+)

**WIRING DIAGRAM**



Fixture adapter powered by LED driver auxiliary output



Fixture adapter connected to LED driver and using power supply

**FEATURE**

- **Installation:** Factory or Field Install End Mount to Fixture
- **Commissioning:** Wirelessly through ALS Control Mobile App (iOS / Android)
- **Certification:** DLC 5.1 Networked Lighting Control System
- **Control:** Hold time, High-Low setting, continuous Bi-level dimming, Code-compliant manual-on or auto-off capability
- **Sensor:** Motion (Occupancy/Vacancy/Manual) and Daylight Harvesting
- **Room and Zone Control:** Zoning and Grouping control, Scheduling

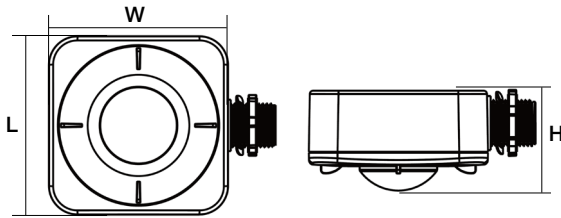


**SPECIFICATIONS**

**SENSOR TYPE:** Passive Infrared Sensor (PIR)  
**WIRELESS STANDARDS:** Bluetooth SIG Mesh  
**INPUT VOLTAGE:** 120/277VAC  
**CONTROL OUTPUT:** 0-10V  
**OPERATING TEMP:** -40°F ~ +167°F (-40°C ~ +75°C)

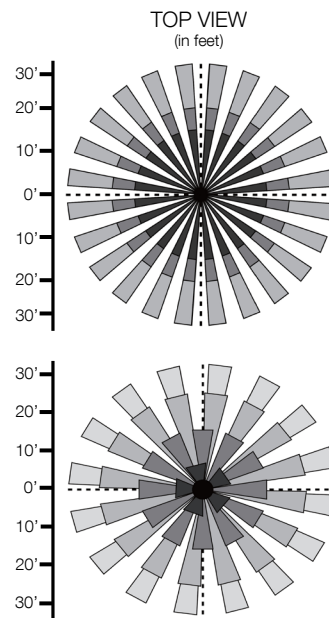
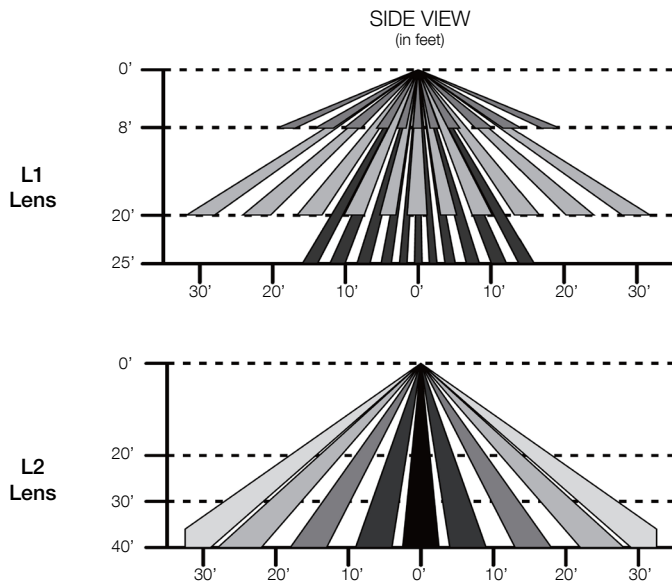
**COMMISSIONING RANGE:** 50FT  
**BLUETOOTH RANGE:** Intergral antenna up to 100FT  
**DETECTION ANGLE:** Vertical 90° x Horizontal 360°  
**MOUNTING HEIGHT:** 8 - 40FT  
**WARRANTY:** 5 years  
**IP RATING:** IP20 Damp

**DIMENSIONS**



L	W	H
3.19" (81mm)	4.02" (102mm)	1.70" (43.3mm)

**COVERAGE PATTERNS**





**FEATURE**

- **Installation:** Factory Install - Integral to Fixture
- **Commissioning:** Wirelessly through ALS Control Mobile App (iOS / Android)
- **Certification:** DLC 5.1 Networked Lighting Control System
- **Control:** Hold time, High-Low setting, continuous Bi-level dimming, Code-compliant manual-on or auto-off capability
- **Sensor:** Motion (Occupancy/Vacancy/Manual)
- **Room and Zone Control:** Zoning and Grouping control, Scheduling

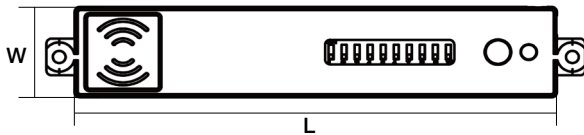


**SPECIFICATIONS**

**SENSOR TYPE:** Microwave  
**WIRELESS STANDARDS:** Bluetooth SIG Mesh  
**INPUT VOLTAGE:** 10-14VDC, >50mA  
**CONTROL OUTPUT:** 0-10V  
**OPERATING TEMP:** -40°F ~ +158°F (-40°C ~ +70°C)

**COMMISSIONING RANGE:** 50FT  
**BLUETOOTH RANGE:** Integral antenna up to 164FT  
**DETECTION ANGLE:** 360°  
**MOUNTING HEIGHT:** Up to 13FT  
**WARRANTY:** 5 years  
**IP RATING:** IP20

**DIMENSIONS**



L	W
3.70" (94mm)	0.73" (18.5mm)

**COVERAGE PATTERNS**

