

SPG SERIES MULTI-SPORT

Client:
 Project:
 Type:
 Quantity:

CONSTRUCTION

Single-piece die-cast aluminum modular housing, dynamic thermal management design that maximizes heat dissipation, substantially increasing life of the luminaire. Available with single, duo or trio-module configuration to meet various project requirements. Low wind-load design, light weight, EPA friendly.

OPTICS

Precisely engineered optics aim light to uniformly illuminate the field Available with 20, 30, 60, 90 Degree and NEMA 6H x 4V distribution. Maximum delivered lumen up to 51,200LM. Optional light shield for glare control and prevent light spill.

ELECTRICAL

-40°C minimum to +50°C maximum operating temperature. Standard 120-277V Universal input 0-10V Dimming driver. RoHS compliant electronic Class I drivers expected life of 100,000 hours <1% failure rate, >.9 power factor, <20% total harmonic distortion. Optional 10kV surge protector. Optional 347-480V input 0-10V Dimming driver.

CONTROL (OPTIONAL)

CONTROL-AVI-ON Bluetooth Mesh Controller.

MOUNTING

Standard equipped with 30° tiltable trunnion mount (TR) for surface mount application. Optional 70° tiltable trunnion mount (TR70) for surface mount application. Optional 2-3/8" Slipfitter adapter (SF) attach onto (TR) mount for tenon top mounting application. Optional 2-3/8" Slipfitter adapter (SF70) attach onto 70° Tilting (TR) mount for tenon top mounting application.

STANDARD FINISH

Black UV stabilized polyester powder paint finish. Optional Corrosion Resistant Package (CRP): Stainless steel bracket and fasteners, housing treated with E-coating and corrosion resistant paint.

CERTIFICATION

Meets Buy America Act requirements. IP66 Wet location label standard. ANSI C136.31-2018 3G Vibration Tested. All luminaires are built to UL1598 standards and bear appropriate cETLus labels. DLC® Premium (DesignLights Consortium Qualified).

WARRANTY

5 year warranty, see Limited Warranty for additional information.



SPG-320



SPG-240 w/SHIELD



SPG-240 w/SF Mount

SHIPPING DATA

Product	Measurement	Weight
SPG-240	15"L x 11"W x 8"H	15 lb
SPG-320	28"L x 11"W x 8"H	20 lb



SPG SERIES MULTI-SPORT

ORDER INFORMATION **EXAMPLE: SPG 240 40 60 BK UNVD**

Fixture	Series	Power & LM	CCT	Distribution	Finish	Input
	SPG					

Mounting

Accessories
Options

A SERIES

SPG Multi-Sport Luminaire

B POWER & LM

Code	Power	LPW (Avg.)	Code	Power	LPW (Avg.)
150	150W, 24,000LM	160	240	240W, 38,400LM	160
200	200W, 32,000LM	160	320	320W, 51,200LM	160

150W, 200W are dialed down model from 240W

C CCT

40	4000K
50	5000K

D DISTRIBUTION

20	20°	90	90°
30	30°	N64	100° H x 60° V
60	60°		

E FINISH

BK	Black Finish
BK-CRP	Corrosion Resistant Package: Stainless Steel bracket & fasteners, housing treated with E-coating and corrosion resistant paint

F INPUT

UNVD	100-277V input, 1-10V dimmable	HVLD	347-480V input, 1-10V dimmable
-------------	--------------------------------	-------------	--------------------------------

G MOUNTING

TR	Standard 30° Tiltable Trunnion Mount
TR70	70° Tiltable Trunnion Mount
MOUNT-SPG-SF-BK	2-3/8" Slipfitter Mount (attachment to Trunnion Mount)
MOUNT-SPG-SF70-BK	2-3/8" Slipfitter Mount with 70° Tilting (attachment to Trunnion Mount)

H ACCESSORIES/OPTIONS

AIA	Assembled in America, compliant with BAA (COTS)
SHIELD-SPG-A-BK	2-Piece Glare Shield (front and back) for SPG-240 model (Shield tiltable up to 60DEG)
SHIELD-SPG-B-BK	2-Piece Glare Shield (front and back) for SPG-320 model (Shield tiltable up to 60DEG)
LASER-SPQ	Laser Pointer for Aiming Purpose
SURGE-LSP4-U / H	10kV inline Surge Protection for Universal input / U : 120-277V, H : 480V input
CONTROL-LVFA*	AVI-ON Bluetooth Mesh Control System

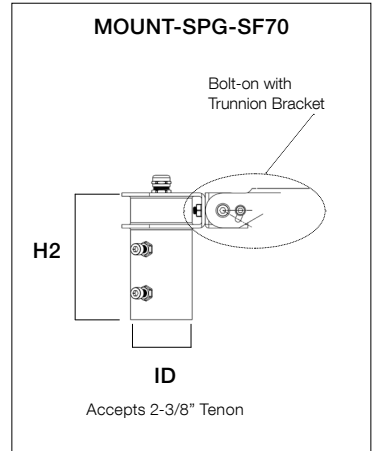
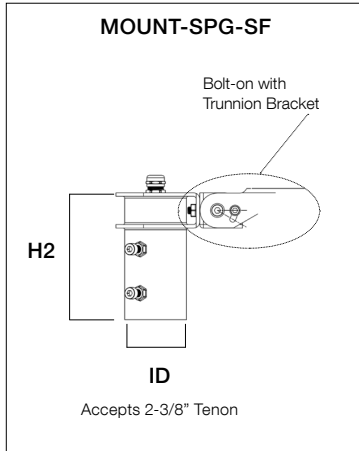
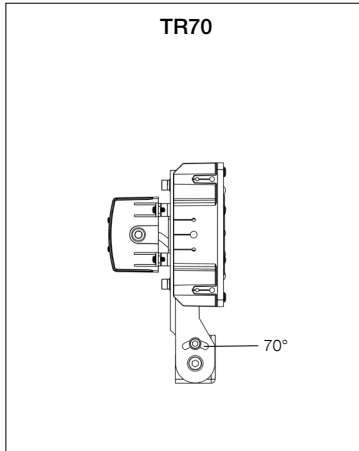
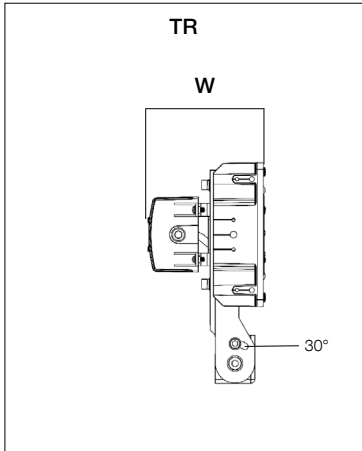
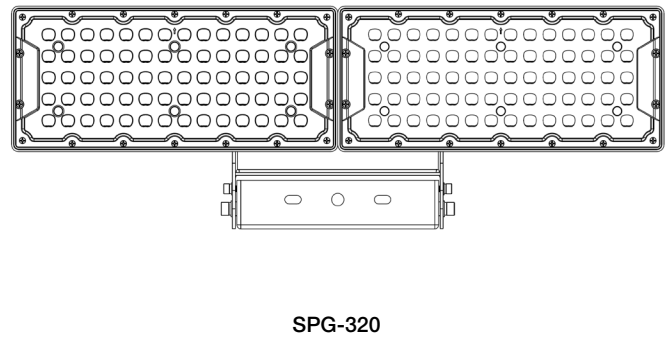
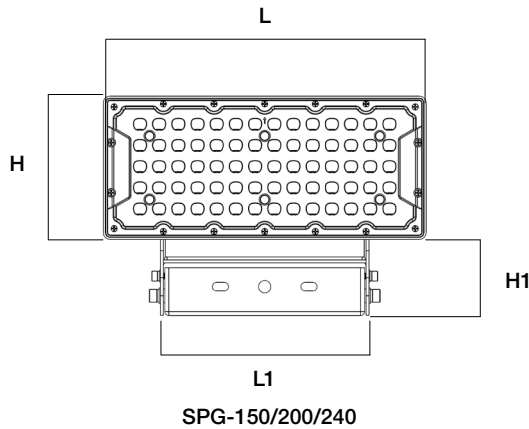
*see page 4 for CONTROL spec

SPG SERIES MULTI-SPORT

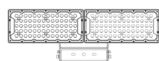
DIMENSIONS

Model	Module	L	L1	H	H1	W	H2	ID
SPG-150/200/240	1	12.91" (328mm)	-	5.73" (146mm)	-	4.62" (117mm)	-	-
SPG-320	2	21.75" (553mm)	-	5.73" (146mm)	-	4.62" (117mm)	-	-
TR / TR70	-	-	8.35" (212mm)	-	3.04" (77mm)	-	-	-
SF / SF70	-	-	-	-	-	-	6.32" (160mm)	Ø 2.48" (63mm)

Attach to Trunnion Mount



EPA



Trunnion

Trunnion

SPG-150/200/240

0.513

SPG-320

0.865

SPG SERIES MULTI-SPORT

CONTROL SPEC

Model	Type	Mounting	Coverage	Input	Function	Programmable
CONTROL-LVFA (see page 5 for detail)	Fixture Controller	-	-	12V DC	Bluetooth Mesh On/Off/Dimming Scheduling	AVI-ON Bluetooth Mobile App



CONTROL-LVFA

SPG SERIES MULTI-SPORT

CONTROL-LVFA SPEC

Status LEDs & Config Button

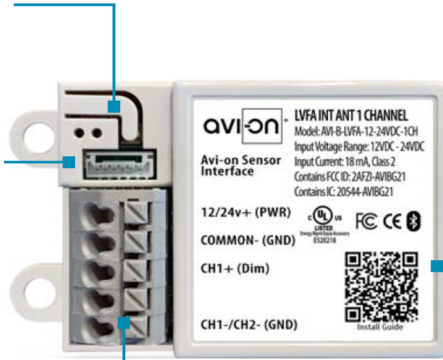
Quick and easy validation of wiring and network

Direct Connect™ Sensor Port

Simple and cost-effective addition to Avi-on sensors

Terminal Blocks & Mounting Tabs

Faster, easier and lower cost installation eliminating connectors



Internal Antenna

Improved performance and eliminates risk of accidentally cutting a hanging wire

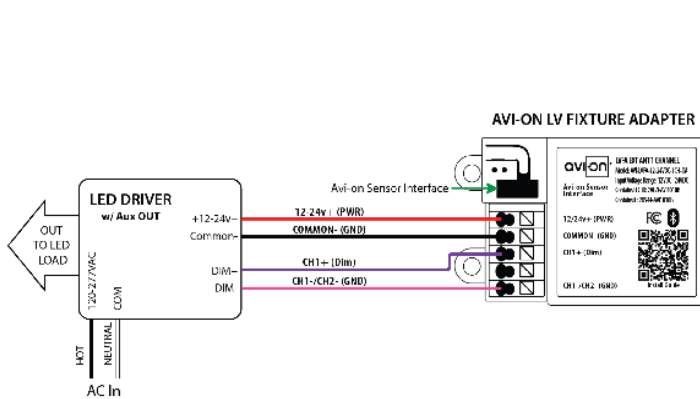
SPECIFICATIONS

INPUT VOLTAGE: 12-24VDC
CURRENT: 15mA without a Sensor
 19mA with a DC PIR Sensor
 48mA with a DC Microwave Sensor
0-10V DIMMING: 12-24VDC
SIZE: 2.30in x 1.43in x 0.75in
 (58.2mm x 36.4mm x 19mm)
MOUNTING: Removable mounting tabs
WEIGHT: 0.45 oz (16g)
OPERATING TEMP: -22°F to +158°F (-30°C to + 70°C)

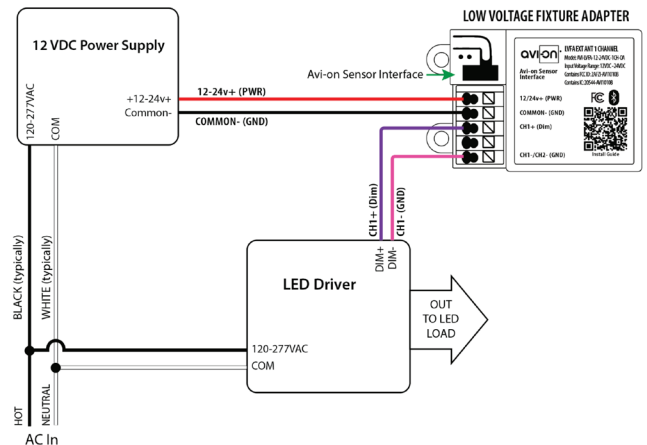
RADIO FREQUENCY: 2.4GHz
WIRELESS STANDARD: BLE 4.2 with Mesh
POINT TO POINT RANGE*: 80ft with obstructions
 350ft unobstructed
SECURITY: AES 128-bit encryption for device to device communication
 AES 256-bit encryption for device to cloud communication
WARRANTY: 5 years; 10 years optional
REGULATORY: FCC: 2AFZI-AVI1010 B
 IC: 20544-AVI1010 B
 BQB: D031801, DID: 86303
 UL 916, 2043 (Plenum Rated)

*When communicating through the mesh, range is essentially unlimited (5000ft+)

WIRING DIAGRAM



Fixture adapter powered by LED driver auxiliary output



Fixture adapter connected to LED driver and using power supply