



## AL8A SERIES AREA LIGHT

Client:  
Project:  
Type:  
Quantity:

### CONSTRUCTION

Rugged die-cast aluminum housing with hinged, die-cast aluminum door.  
Low profile, 3G vibration rated compact design minimizes wind load requirements.  
Driver enclosure cover opens downwards, completely sealed against moisture and dusty.

### OPTICS

UV-resistant polycarbonate optics, available in Type II, III, IV, V distributions.  
Full cutoff when mounted with non-adjustable SR Mount or at 0 degrees tilt with adjustable Slipfitter or Trunnion Mount. Optics is precisely designed to shape the distribution, maximizing efficiency and application spacing.

### ELECTRICAL

70 CRI Lumileds LED.  
Field Selectable Lumen / CCT Technology.  
-40°C up to 50°C (-40°F up to 122°F) maximum ambient temperature.  
Long-life 100,000 hr LED at L70 @ 40°C.  
Driver operates at 120-277V input, 0-10V dimmable driver, down to 10%.  
50/60Hz, <20% THD, 0.9 power factor. Optional 347/480V input. Optional 10kV surge protection. Optional dimming sensor for occupancy and photosensing.

### SENSORS (OPTIONAL)

SENSOR-BLE-6-4T Integral PIR ALS Control bluetooth/on/off/dimming/photosensing.  
SENSOR-ANT-6-4T Plug-N-Play PIR on/off/dimming/photosensing.  
SENSOR-PH-PB-U Integral button style photocell.  
SENSOR-PH-PT-U/UD/HD Twist lock dimming/non-dimming photocontrol.  
CONTROL-LVFA AVI-ON Bluetooth Mesh Controller.

### MOUNTING

Non-adjustable pole mount bracket (SR) suitable for both round and square pole.  
Optional slipfitter for 2-3/8" tenon (SF), non-adjustable wall mount (WM), adjustable trunnion mount (TR) and tilt-able pole mount bracket (SRT).

### STANDARD FINISH

Corrosion resistant Dark Bronze powder coating finish.

### CUSTOM FINISH

Corrosion resistant Black, Graphite Metallic, Gray, Silver, White, Custom RAL#.

### CERTIFICATION

IP65 Wet location label standard.  
Meets Buy America Act requirements.  
IDA compliant: with 3000K color temperature selection.  
Title 24 compliant; see local ordinance for qualification information.  
All luminaires are built to UL1598 standards and bear appropriate cULus labels.  
DLC® Premium (DesignLights Consortium Qualified) listed.

### WARRANTY

5 year warranty, see Limited Warranty for additional information.



140/180W w/SR Pole Mount (Fixed)



250/300/400W w/SRT Pole Mount (Tilt)

### SHIPPING DATA

Product	Measurement	Weight
AL8A-140	16"L x 14"W x 3"H	10 lb
AL8A-180	16"L x 14"W x 3"H	11 lb
AL8A-250	26"L x 14"W x 3"H	15 lb
AL8A-300	26"L x 14"W x 3"H	16 lb
AL8A-400	26"L x 14"W x 3"H	17 lb



**AL8A SERIES AREA LIGHT**

**ORDER INFORMATION** **EXAMPLE : AL8A 180 SC T3 DB UNVD**

Fixture	Series	Power & LM	CCT	Distribution	Finish	Input
	<b>AL8A</b>		<b>SC</b>			

**A SERIES**

<b>AL8A</b>	Area Light
-------------	------------

**B POWER & LM**

Code	Power	LM*	Efficacy (avg.)*
<b>140</b>	Field Selectable 60 / 90 / 120 / 140W	10,500 / 15,600 / 20,500 / 23,500	171lm/W
<b>180</b>	Field Selectable 72 / 108 / 144 / 180W	11,800 / 17,300 / 22,800 / 28,000	160lm/W
<b>250</b>	Field Selectable 100 / 150 / 200 / 250W	16,500 / 23,800 / 31,000 / 38,000	158lm/W
<b>300</b>	Field Selectable 120 / 180 / 240 / 300W	20,800 / 29,700 / 38,000 / 46,000	162lm/W

\*LM Value & Efficacy based on 4000K, T5 Distribution

**C CCT**

<b>SC</b>	Field Selectable 3000K / 4000K / 5000K
-----------	--

**D DISTRIBUTION**

<b>T2</b>	Type II	<b>T4</b>	Type IV
<b>T3</b>	Type III	<b>T5</b>	Type V

**E FINISH**

Standard						
<b>DB</b>	Dark Bronze					
Custom Color						
<b>CC</b>	<b>BK</b>	Black	<b>GM</b>	Graphite Metallic	<b>GR</b>	Gray
	<b>SV</b>	Silver	<b>WH</b>	White	<b>RAL#</b>	

**F INPUT**

<b>UNVD</b>	120-277V, 1-10V Dimmable	<b>HVLD</b>	347V, 480V, 1-10V Dimmable
-------------	--------------------------	-------------	----------------------------

**AL8A SERIES AREA LIGHT**

**ORDER INFORMATION (CONTINUED)**

**Mounting**

**Accessories  
Options**

**G MOUNTING**

<b>MOUNT-AL8A-SF</b>	Slipfitter	<b>MOUNT-AL8A-TR</b>	Trunnion Mount
<b>MOUNT-AL8A-SR</b>	Square/Round Pole Non-Adjustable	<b>MOUNT-AL8A-WM</b>	Wall Mount
<b>MOUNT-AL8A-SRT</b>	Square/Round Pole Tilt-able		

**H ACCESSORIES/OPTIONS**

<b>AIA</b>	Assembled in America, compliant with BAA (COTS)
<b>SHIELD-AL8A</b>	Backlight Shield on Lens
<b>SHIELD-AL8A-VISOR-A / B</b>	4-Side Visor, <b>A:</b> 140 ~ 180W, <b>B:</b> 250 ~ 400W
<b>SENSOR-ANT-6-4T*</b>	Integral PIR on/off/dimming/photosensing
<b>SENSOR-BLE-6-4T*</b>	“Plug-N-Play” Integral Bluetooth Daylight Harvesting Sensor (ALS Control Mobile App)
<b>SENSOR-PH-PB-U*</b>	Button Style Photocell
<b>SENSOR-PH-PT-U / UD / HD*</b>	Twist Lock Photocell / <b>U:</b> 120-277V, <b>UD:</b> 120-277V, <b>HD:</b> 480V input
<b>REMOTE-RC100</b>	Handheld Remote Commissioning Tool for SENSOR-ANT (1 per job)
<b>SURGE-LSP4-U / H</b>	10kV inline Surge Protection for Universal input <b>U:</b> 120-277V, <b>H:</b> 480V input
<b>CONTROL-LVFA*</b>	AVI-ON Bluetooth Mesh Control System

\*see page 10 for sensor spec

**AL8A SERIES AREA LIGHT**

**ORDER INFORMATION** **EXAMPLE : AL8A 400 MC T3 DB UNVD**

Fixture	Series	Power & LM	CCT	Distribution	Finish	Input
	<b>AL8A</b>	<b>400</b>	<b>MC</b>			

**A SERIES**

**AL8A** Area Light

**B POWER & LM**

Code	Power	LM*	Efficacy (avg.)*
<b>400</b>	Field Selectable 300 / 320 / 360 / 400W	47,500 / 51,500 / 56,500 / 61,000	159lm/W

\*LM Value & Efficacy based on 4000K, T5 Distribution

**C CCT**

**MC** Field Selectable 4000K / 5000K

**D DISTRIBUTION**

<b>T2</b>	Type II	<b>T4</b>	Type IV
<b>T3</b>	Type III	<b>T5</b>	Type V

**E FINISH**

Standard

**DB** Dark Bronze

Custom Color

<b>CC</b>	<b>BK</b> Black	<b>GM</b> Graphite Metallic	<b>GR</b> Gray
	<b>SV</b> Silver	<b>WH</b> White	<b>RAL#</b>

**F INPUT**

<b>UNVD</b>	120-277V, 1-10V Dimmable	<b>HVLD</b>	347V, 480V, 1-10V Dimmable
-------------	--------------------------	-------------	----------------------------

**AL8A SERIES AREA LIGHT**

**ORDER INFORMATION (CONTINUED)**

**Mounting**

**Accessories  
Options**

**G MOUNTING**

<b>MOUNT-AL8A-SF</b>	Slipfitter	<b>MOUNT-AL8A-TR</b>	Trunnion Mount
<b>MOUNT-AL8A-SR</b>	Square/Round Pole Non-Adjustable	<b>MOUNT-AL8A-WM</b>	Wall Mount
<b>MOUNT-AL8A-SRT</b>	Square/Round Pole Tilt-able		

**H ACCESSORIES/OPTIONS**

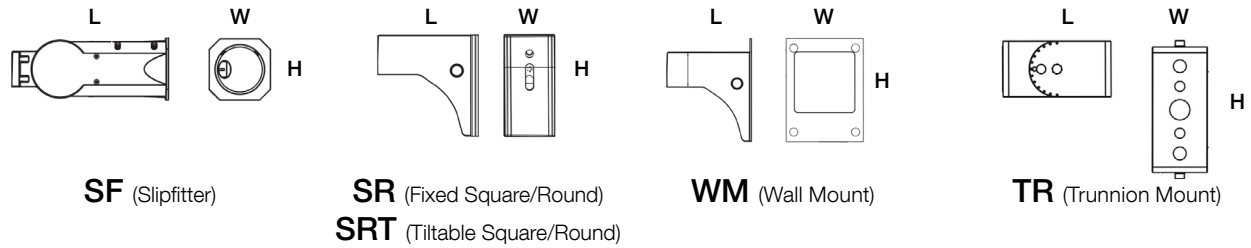
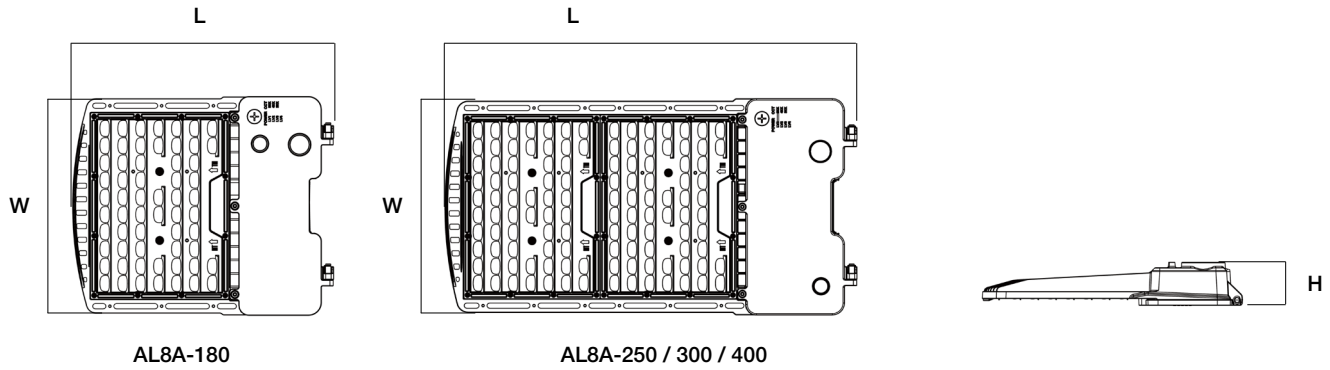
<b>AIA</b>	Assembled in America, compliant with BAA (COTS)
<b>SHIELD-AL8A</b>	Backlight Shield on Lens
<b>SHIELD-AL8A-VISOR-A / B</b>	4-Side Visor, <b>A:</b> 140 ~ 180W, <b>B:</b> 250 ~ 400W
<b>SENSOR-ANT-6-4T*</b>	Integral PIR on/off/dimming/photosensing
<b>SENSOR-BLE-6-4T*</b>	“Plug-N-Play” Integral Bluetooth Daylight Harvesting Sensor (ALS Control Mobile App)
<b>SENSOR-PH-PB-U*</b>	Button Style Photocell
<b>SENSOR-PH-PT-U / UD / HD*</b>	Twist Lock Photocell / <b>U:</b> 120-277V, <b>UD:</b> 120-277V, <b>HD:</b> 480V input
<b>REMOTE-RC100</b>	Handheld Remote Commissioning Tool for SENSOR-ANT (1 per job)
<b>SURGE-LSP4-U / H</b>	10kV inline Surge Protection for Universal input <b>U:</b> 120-277V, <b>H:</b> 480V input
<b>CONTROL-LVFA*</b>	AVI-ON Bluetooth Mesh Control System

\*see page 10 for sensor spec

**AL8A SERIES AREA LIGHT**

**DIMENSIONS**

Model	L	W	H
AL8A-140 / 180	15.61" (396mm)	13.00" (331mm)	2.05" (52mm)
AL8A-250 / 300 / 400	24.98" (634mm)	13.00" (331mm)	2.46" (62mm)
Bracket - SF	8.47" (215mm)	3.35" (85mm)	3.35" (85mm)
Bracket - SR / SRT	6.95" (176mm)	3.55" (90mm)	6.97" (177mm)
Bracket - WM	6.59" (168mm)	5.98" (152mm)	7.99" (203mm)
Bracket - TR	7.20" (183mm)	7.40" (188mm)	2.87" (73mm)



**EPA (ft<sup>2</sup>)**

Mounting Option	Single	2 @ 90°	2 @ 120°	2 @ 180°	3 @ 90°	3 @ 120°	4 @ 90°
140 / 180W	0.363	0.685	0.886	0.726	1.048	1.208	1.048
250 / 300 / 400W	0.476	0.809	1.059	0.952	1.285	1.392	1.285

**AL8A SERIES AREA LIGHT**

**PERFORMANCE DATA**

SYSTEM WATTS	VOLTAGE	DIST. TYPE	3000K		4000K		5000K	
			LUMEN	LPW	LUMEN	LPW	LUMEN	LPW
AL8A-100 @ 40W	120-277V	II	6400	160	6800	170	6560	164
	120-277V	III	6400	160	6800	170	6560	164
	120-277V	IV	6400	160	6800	170	6560	164
	120-277V	V	6560	164	7000	175	6700	168
AL8A-100 @ 60W	120-277V	II	9300	155	10000	167	9600	160
	120-277V	III	9300	155	10000	167	9600	160
	120-277V	IV	9300	155	10000	167	9600	160
	120-277V	V	9600	160	10200	170	9850	164
AL8A-100 @ 80W	120-277V	II	12000	150	13000	163	12500	156
	120-277V	III	12000	150	13000	163	12500	156
	120-277V	IV	12000	150	13000	163	12500	156
	120-277V	V	12500	156	13300	166	12800	160
AL8A-100 @ 100W	120-277V	II	14500	145	15800	158	15000	150
	120-277V	III	14500	145	15800	158	15000	150
	120-277V	IV	14500	145	15800	158	15000	150
	120-277V	V	15100	151	16000	160	15600	156
AL8A-140 @ 60W	120-277V	II	9400	157	10300	172	9700	162
	120-277V	III	9400	157	10300	172	9700	162
	120-277V	IV	9400	157	10300	172	9700	162
	120-277V	V	9600	160	10500	175	10000	167
AL8A-140 @ 90W	120-277V	II	13800	153	15200	169	14200	158
	120-277V	III	13800	153	15200	169	14200	158
	120-277V	IV	13800	153	15200	169	14200	158
	120-277V	V	14000	156	15600	172	14500	161
AL8A-140 @ 120W	120-277V	II	18000	150	20000	167	18500	154
	120-277V	III	18000	150	20000	167	18500	154
	120-277V	IV	18000	150	20000	167	18500	154
	120-277V	V	18500	154	20500	171	19000	158
AL8A-140 @ 140W	120-277V	II	20000	147	23000	164	21000	150
	120-277V	III	20000	147	23000	164	21000	150
	120-277V	IV	20000	147	23000	164	21000	150
	120-277V	V	21000	150	23500	168	21500	154
AL8A-180 @ 72W	120-277V	II	10500	146	11500	160	10800	150
	120-277V	III	10500	146	11500	160	10800	150
	120-277V	IV	10500	146	11500	160	10800	150
	120-277V	V	10800	150	11800	164	11000	153
AL8A-180 @ 108W	120-277V	II	15300	142	16800	156	15700	145
	120-277V	III	15300	142	16800	156	15700	145
	120-277V	IV	15300	142	16800	156	15700	145
	120-277V	V	15800	146	17300	160	16200	150
AL8A-180 @ 144W	120-277V	II	20200	140	22000	153	20600	143
	120-277V	III	20200	140	22000	153	20600	143
	120-277V	IV	20200	140	22000	153	20600	143
	120-277V	V	20800	144	22800	158	21000	146
AL8A-180 @ 180W	120-277V	II	24800	138	27000	150	25200	140
	120-277V	III	24800	138	27000	150	25200	140
	120-277V	IV	24800	138	27000	150	25200	140
	120-277V	V	25500	142	28000	156	26000	144

## AL8A SERIES AREA LIGHT

### PERFORMANCE DATA (CONTINUE)

SYSTEM WATTS	VOLTAGE	DIST. TYPE	3000K		4000K		5000K	
			LUMEN	LPW	LUMEN	LPW	LUMEN	LPW
AL8A-250 @ 100W	120-277V	II	14500	145	16000	160	14800	148
	120-277V	III	14500	145	16000	160	14800	148
	120-277V	IV	14500	145	16000	160	14800	148
	120-277V	V	15000	150	16500	165	15500	155
AL8A-250 @ 150W	120-277V	II	21300	142	23200	155	21800	145
	120-277V	III	21300	142	23200	155	21800	145
	120-277V	IV	21300	142	23200	155	21800	145
	120-277V	V	21800	145	23800	159	22500	150
AL8A-250 @ 200W	120-277V	II	27500	138	30400	152	28400	142
	120-277V	III	27500	138	30400	152	28400	142
	120-277V	IV	27500	138	30400	152	28400	142
	120-277V	V	28000	140	31000	155	28800	144
AL8A-250 @ 250W	120-277V	II	33500	134	37000	148	34500	138
	120-277V	III	33500	134	37000	148	34500	138
	120-277V	IV	33500	134	37000	148	34500	138
	120-277V	V	34500	138	38000	152	35500	142
AL8A-300 @ 120W	120-277V	II	18000	150	20000	167	18500	154
	120-277V	III	18000	150	20000	167	18500	154
	120-277V	IV	18000	150	20000	167	18500	154
	120-277V	V	18500	154	20800	173	19000	158
AL8A-300 @ 180W	120-277V	II	26000	144	28600	159	26600	148
	120-277V	III	26000	144	28600	159	26600	148
	120-277V	IV	26000	144	28600	159	26600	148
	120-277V	V	26600	148	29700	165	27500	153
AL8A-300 @ 240W	120-277V	II	33600	140	37000	154	34500	144
	120-277V	III	33600	140	37000	154	34500	144
	120-277V	IV	33600	140	37000	154	34500	144
	120-277V	V	34500	144	38000	158	35500	148
AL8A-300 @ 300W	120-277V	II	41000	137	45000	150	42000	140
	120-277V	III	41000	137	45000	150	42000	140
	120-277V	IV	41000	137	45000	150	42000	140
	120-277V	V	42500	142	46000	153	43500	145
AL8A-400 @ 300W	120-277V	II	-	-	47000	162	46000	159
	120-277V	III	-	-	47000	162	46000	159
	120-277V	IV	-	-	47000	162	46000	159
	120-277V	V	-	-	47500	164	46500	160
AL8A-400 @ 320W	120-277V	II	-	-	51000	159	50000	156
	120-277V	III	-	-	51000	159	50000	156
	120-277V	IV	-	-	51000	159	50000	156
	120-277V	V	-	-	51500	161	50500	159
AL8A-400 @ 360W	120-277V	II	-	-	56000	156	55000	153
	120-277V	III	-	-	56000	156	55000	153
	120-277V	IV	-	-	56000	156	55000	153
	120-277V	V	-	-	56500	157	55500	154
AL8A-400 @ 400W	120-277V	II	-	-	60500	151	60000	150
	120-277V	III	-	-	60500	151	60000	150
	120-277V	IV	-	-	60500	151	60000	150
	120-277V	V	-	-	61000	153	60800	152



**AL8A SERIES AREA LIGHT**

**DLC CODE**

Part Number	DLC Product ID	DLC Class
AL8A-180SCT2-XXUNVD / AL8A-180SCT2-XXHVL	S-TPXWZS	Premium
AL8A-180SCT3-XXUNVD / AL8A-180SCT3-XXHVL	S-7D66LP	Premium
AL8A-180SCT4-XXUNVD / AL8A-180SCT4-XXHVL	S-ZZ6VTX	Premium
AL8A-180SCT5-XXUNVD / AL8A-180SCT5-XXHVL	S-FXX5XD	Premium
AL8A-250SCT2-XXUNVD / AL8A-250SCT2-XXHVL	S-YZTKRR	Premium
AL8A-250SCT3-XXUNVD / AL8A-250SCT3-XXHVL	S-C5MP66	Premium
AL8A-250SCT4-XXUNVD / AL8A-250SCT4-XXHVL	S-7H4J72	Premium
AL8A-250SCT5-XXUNVD / AL8A-250SCT5-XXHVL	S-62ZTD4	Premium
AL8A-300SCT2-XXUNVD / AL8A-300SCT2-XXHVL	S-RHD989	Premium
AL8A-300SCT3-XXUNVD / AL8A-300SCT3-XXHVL	S-ZXDC45	Premium
AL8A-300SCT4-XXUNVD / AL8A-300SCT4-XXHVL	S-HZWGQ2	Premium
AL8A-300SCT5-XXUNVD / AL8A-300SCT5-XXHVL	S-CGCKR3	Premium
AL8A-400SCT2-XXUNVD / AL8A-400SCT2-XXHVL	S-DKNTNR	Premium
AL8A-400SCT3-XXUNVD / AL8A-400SCT3-XXHVL	S-YTDGB7	Premium
AL8A-400SCT4-XXUNVD / AL8A-400SCT4-XXHVL	S-4ZXVKS	Premium
AL8A-400SCT5-XXUNVD / AL8A-400SCT5-XXHVL	S-P5W4GY	Premium

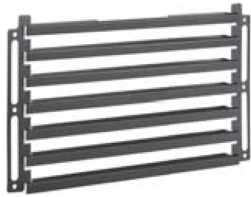
**AL8A SERIES AREA LIGHT**

**SHIELD SPEC**

**SHIELD-AL8A**

Backlight Shield on Lens

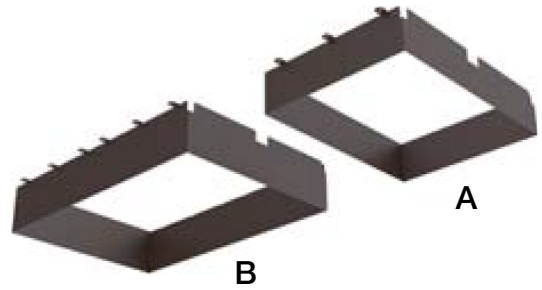
AL8A-180W 1:1  
AL8A-250 ~ 400W 2:1



**SHIELD-AL8A-VISOR**

4-Side Metal Visor

**A:** AL8A-180W 1:1  
**B:** AL8A-250 ~ 400W 1:1



**AL8A SERIES AREA LIGHT**

**SENSOR SPEC**

Model	Type	Mounting	Coverage	Input	Function	Programmable
SENSOR-ANT-6-4T	PIR	up to 40FT	30FT radius	12V DC	On/Off/Dimming	REMOTE-RC100
SENSOR-BLE-6-4T (see page 12 for detail)	PIR	up to 40FT	30FT radius	12V DC	Bluetooth Mesh On/Off/Dimming Daylight Harvesting	ALS Control Bluetooth Mobile App
SENSOR-PH-PB-U	-	-	-	Universal	Dusk-to-Dawn Control	-
SENSOR-PH-PT-U	-	-	-	Universal	Dusk-to-Dawn Control	-
SENSOR-PH-PT-UD	-	-	-	277 ~ 480V		
SENSOR-PH-PT-HD	-	-	-	277 ~ 480V		
CONTROL-LVFA (see page 11 for detail)	Fixture Controller	-	-	12V DC	Bluetooth Mesh On/Off/Dimming Scheduling	AVI-ON Bluetooth Mobile App



SENSOR-ANT-6-4T  
 SENSOR-BLE-6-4T



SENSOR-PH-PB-U



SENSOR-PH-PT-U/H



SENSOR-PH-PT-HD



CONTROL-LVFA

**AL8A SERIES AREA LIGHT**

**CONTROL-LVFA SPEC**

**Status LEDs & Config Button**

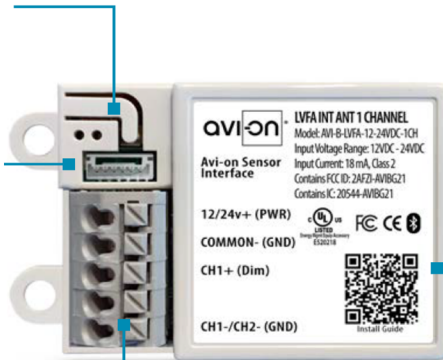
Quick and easy validation of wiring and network

**Direct Connect™ Sensor Port**

Simple and cost-effective addition to Avi-on sensors

**Terminal Blocks & Mounting Tabs**

Faster, easier and lower cost installation eliminating connectors



**Internal Antenna**

Improved performance and eliminates risk of accidentally cutting a hanging wire

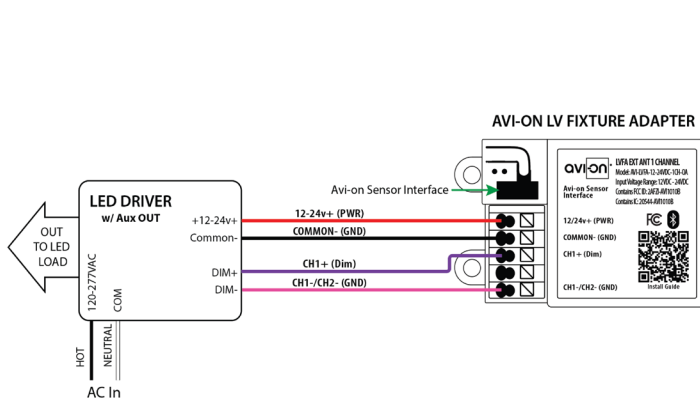
**SPECIFICATIONS**

**INPUT VOLTAGE:** 12-24VDC  
**CURRENT:** 15mA without a Sensor  
 19mA with a DC PIR Sensor  
 48mA with a DC Microwave Sensor  
**0-10V DIMMING:** 12-24VDC  
**SIZE:** 2.30in x 1.43in x 0.75in  
 (58.2mm x 36.4mm x 19mm)  
**MOUNTING:** Removable mounting tabs  
**WEIGHT:** 0.45 oz (16g)  
**OPERATING TEMP:** -22°F to +158°F (-30°C to + 70°C)

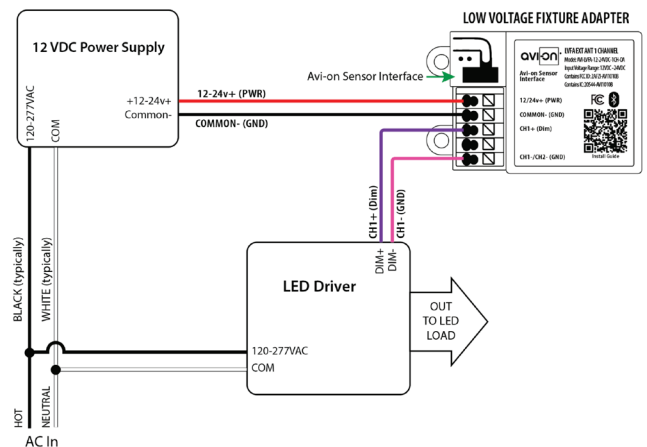
**RADIO FREQUENCY:** 2.4GHz  
**WIRELESS STANDARD:** BLE 4.2 with Mesh  
**POINT TO POINT RANGE\*:** 80ft with obstructions  
 350ft unobstructed  
**SECURITY:** AES 128-bit encryption for device to device communication  
 AES 256-bit encryption for device to cloud communication  
**WARRANTY:** 5 years; 10 years optional  
**REGULATORY:** FCC: 2AFZI-AVI1010 B  
 IC: 20544-AVI1010 B  
 BQB: D031801, DID: 86303  
 UL 916, 2043 (Plenum Rated)

\*When communicating through the mesh, range is essentially unlimited (5000ft+)

**WIRING DIAGRAM**



Fixture adapter powered by LED driver auxiliary output



Fixture adapter connected to LED driver and using power supply

**FEATURE**

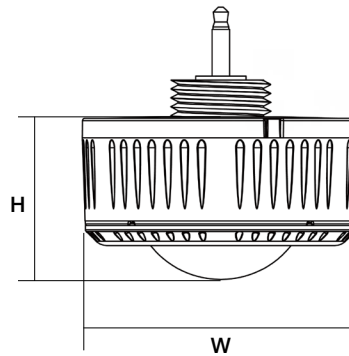
- **Installation:** Plug-N-Play via AUX socket on attached fixture
- **Commissioning:** Wirelessly through ALS Control Mobile App (iOS / Android)
- **Certification:** DLC 5.1 Networked Lighting Control System
- **Control:** Hold time, High-Low setting, continuous Bi-level dimming, Code-compliant manual-on or auto-off capability
- **Sensor:** Motion (Occupancy/Vacancy/Manual) and Daylight Harvesting
- **Room and Zone Control:** Zoning and Grouping control, Scheduling



**SPECIFICATIONS**

<b>SENSOR TYPE:</b>	Passive Infrared Sensor (PIR)
<b>WIRELESS STANDARDS:</b>	5.0 Bluetooth Mesh
<b>INPUT VOLTAGE:</b>	12-24VDC, >50mA
<b>CONTROL OUTPUT:</b>	0-10V
<b>OPERATING TEMP:</b>	-4°F ~ +140°F (-20°C ~ +60°C)
<b>COMMISSIONING RANGE:</b>	50FT
<b>BLUETOOTH RANGE:</b>	164FT
<b>DETECTION ANGLE:</b>	360°
<b>MOUNTING HEIGHT:</b>	Up to 40FT
<b>WARRANTY:</b>	5 years
<b>IP RATING:</b>	IP65

**DIMENSIONS**



H	W
1.03" (26.2mm)	2.17" (55mm)

**COVERAGE PATTERNS**

