

TRA SERIES SELECTABLE LED TROFFER

Client:
 Project:
 Type:
 Quantity:

CONSTRUCTION

Polypropylene injection molded 2x2 and 2x4 troffer, light-weight, durable. All corners are rounded for safe handling. Multiple wiring extrances on driver enclosure for easy access. Integral T-bar clips for installation into T-grid ceilings

OPTICS

Backlit design provides exceptional lighting distribution. Frosted polycarbonate lens offers edge to edge smooth illumination for maximum visual comfort.

ELECTRICAL

Long-life LEDs, coupled with a high-efficiency driver, provide superior illumination for extended service life. Greater than 70% LED lumen maintenance at 60,000 hours (L70>60,000). Selectable lumen and CCT technology allows easy field-adjustable capability, luminaire ships with maximum output and 4000K CCT setting. All CCTs are within 3 MacAdam ellipses. Driver operates at 120-277V input, 0-10V dimmable driver, down to 10%. Optional: Lutron PSQ02 T-Series Tunable White Driver (see pg 5 for detail)

MOUNTING

Designed to accommodate lay-in ceilings, Slot T, and T-bar suspension system for 5/8" and 3/8" width. Built-in earthquake clips come standard. Surface/cable mount applications, use surface/cable kit accessories. Plaster or sheetrock installations, select flange kit. Hard ceiling application, select hard ceiling kit.

FINISH

Matte White finish standard.

CERTIFICATION

Damp location label standard. Option for "Assembled in America" upon request. All luminaires are built to UL1598 standards and bear appropriate cULus labels. For Emergency application, equipment with UL924 certified battery packs. DLC (DesignLights Consortium Qualified)

WARRANTY

5 year warranty, see Limited Warranty for additional information.



TRA-2



TRA-4

SHIPPING DATA

Product	Measurement	Weight
TRA-2 (2-pack)	25"L x 25"W x 7"H	12 lb
TRA-4 (2-pack)	50"L x 26"W x 7"H	22 lb



TRA SERIES SELECTABLE LED TROFFER

ORDER INFORMATION **EXAMPLE: TRA 2 WH UD**

Fixture	Series	Model	Finish	Input
	TRA		WH	UD

Mounting

**Accessories
Options**

A SERIES

TRA Selectable Lumen and CCT LED Troffer

B MODEL

Code	Size	Power	CCT
2	2x2	20W / 25W / 30W / 35W	3000K / 3500K / 4000K / 5000K
4	2x4	35W / 40W / 45W / 50W	3000K / 3500K / 4000K / 5000K

C FINISH

WH White

D INPUT

UD 110-277V, 0-10V Dimming

G MOUNTING

blank	Standard lay-in
MOUNT-LP-22-FGK	2x2 Flange Kit (Plaster, Sheetrock or Drywall)
MOUNT-LP-24-FGK	2x4 Flange Kit (Plaster, Sheetrock or Drywall)
MOUNT-LP-22-SMKT	2x2 Surface Mount Kit for LPA/TRA
MOUNT-LP-24-SMKT	2x4 Surface Mount Kit for LPA/TRA
MOUNT-LP-PMK-3	Aircraft Cable Pendant Mount, 3 Ceiling Mounting Points
MOUNT-LP-PMK-6	Aircraft Cable Pendant Mount, 6 Ceiling Mounting Points

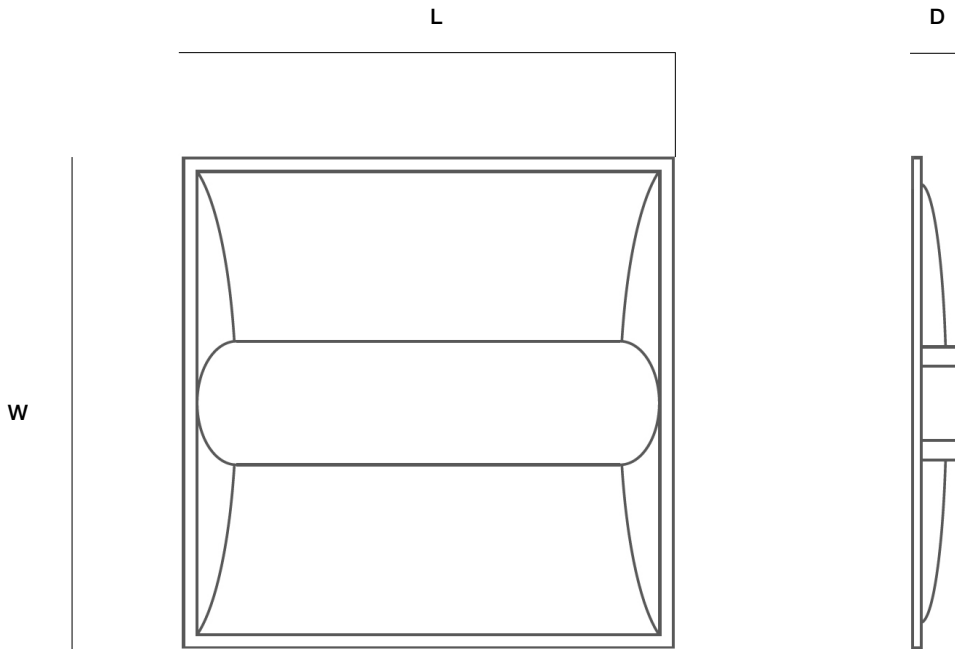
H ACCESSORIES/OPTIONS (SEE PG. 5 FOR EMB SPEC)

AIA	Assembled in America
-C	6-Foot flex
EMB-H08170	External emergency battery 8W (120-277V)
EMB-H18170	External emergency battery 18W (120-277V)
EMB-H40170	External emergency battery 40W (120-277V)

TRA SERIES SELECTABLE LED TROFFER

DIMENSIONS

Model	L	W	D
TRA-2	23.74" (603mm)	23.74" (603mm)	2.99" (76mm)
TRA-4	47.76" (1213mm)	23.74" (603mm)	2.99" (76mm)



TRA SERIES SELECTABLE LED TROFFER

PERFORMANCE DATA

SYSTEM WATTS	SIZE	VOLTAGE	LUMEN	LPW	QTY ON PALLET
20W	2x2	120-277V	3101	155	68
25W	2x2	120-277V	3125	125	68
30W	2x2	120-277V	3750	125	68
35W	2x2	120-277V	4398	126	68
35W	2x4	120-277V	4375	125	36
40W	2x4	120-277V	5000	125	36
45W	2x4	120-277V	5036	112	36
50W	2x4	120-277V	5465	109	36

EMB SPEC

Model	Compatible Fixture	Battery Capacity	Input	Output	Output Power	Operating Temp	Installation
EMB-H08170	TRA-2 TRA-4	90mins	100-347VAC	170VDC	8W	0°C ~ 50°C 32°F ~ 122°F	Factory or Field Install
EMB-H18170	TRA-2 TRA-4	90mins	100-347VAC	170VDC	18W	0°C ~ 50°C 32°F ~ 122°F	Factory or Field Install
EMB-H40170	TRA-2 TRA-4	90mins	100-347VAC	170VDC	40W	0°C ~ 50°C 32°F ~ 122°F	Factory or Field Install

