



# SMPR SERIES SURFACE MOUNT PANEL ROUND

Client:  
Project:  
Type:  
Quantity:

### CONSTRUCTION

Aluminum housing, available in 5", 7", 9" and 12" aperture. Entire luminaire as heat dissipation system, designed for general illumination application for long life and service period.

### OPTICS

Edgelit panel, durable PMMA lens, gasketed and sealed prevent splash of water or dust object from entry.

### ELECTRICAL

Available in 80 or 90+ CRI LEDs.  
120V Input Triac or ELV dimming.  
5 CCT Selectable light engine 2700~5000K.  
Greater than 70% LED lumen maintenance at 50,000 hours.  
Optional: External Emergency Battery 120V Input

### CONTROL (OPTIONAL)

CONTROL-XFAC AVI-ON Bluetooth Zone Controller Adapter

### MOUNTING

New Construction: Surface Mount to standard depth 4" J-box.  
Retrofit: Torsion spring clips design to hold luminaire in 5~8" downlight housing.

### STANDARD FINISH

Corrosion resistant White finish.  
Magnetic decorative trims available in Satin Nickel, Black, and Chrome.

### CERTIFICATION

IP44 Wet location listed.  
Meets Buy America Act requirements.  
All luminaires are built to UL1598 standards and bear appropriate cETLus labels.  
FCC Certified.  
California JA8, Title 24 Compliant

### WARRANTY

5 year warranty, see Limited Warranty for additional information.



Magnetic Trim

Product	Measurement
SMPR-5	6"L x 6"W x 2"H
SMPR-7	8"L x 8"W x 2"H
SMPR-9	10"L x 10"W x 2"H
SMPR-12	13"L x 13"W x 2"H



**SMPR SERIES SURFACE MOUNT PANEL ROUND**

**ORDER INFORMATION** **EXAMPLE : SMPR 7 SC WH S**

Fixture	Series	Model	CCT	Finish	Input
	<b>SMPR</b>		<b>SC</b>	<b>WH</b>	<b>UD</b>

Accessories  
Options

**A SERIES**

**SMPR** Surface Mount Panel Round

**B MODEL**

CODE	TRIM TYPE	POWER	LM
5	5-inch aperture	8W	550
7	7-inch aperture	12W	840
9	9-inch aperture	18W	1280
12	12-inch aperture	24W	1680

**C CCT**

<b>8SC</b>	80 CRI Field Selectable 2700/3000/3500/4000/5000K
<b>9SC</b>	90 CRI Field Selectable 2700/3000/3500/4000/5000K

**D FINISH**

**WH** White finish

**E INPUT**

**S** 120V Input Triac / ELV Dimming

**F ACCESSORIES/OPTIONS**

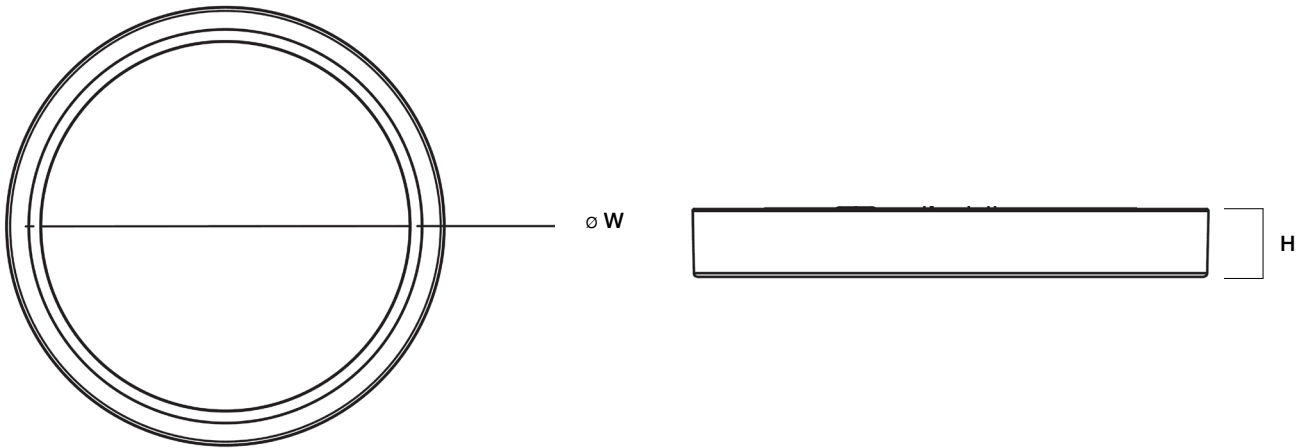
<b>AIA</b>	Assembled in America, compliant with BAA (COTS)
<b>EMB-H18170*</b>	High Voltage Output Smart Emergency Battery 18W 100-347VAC Input 170VDC Output
<b>EMB-H40170*</b>	High Voltage Output Smart Emergency Battery 40W 100-347VAC Input 170VDC Output
<b>SMPR-TRIM-5- ____</b>	SMPR-5 Magnetic Decorative Trim <b>SN</b> - Satin Nickel   <b>BK</b> - Black   <b>CM</b> - Chrome
<b>SMPR-TRIM-7- ____</b>	SMPR-7 Magnetic Decorative Trim <b>SN</b> - Satin Nickel   <b>BK</b> - Black   <b>CM</b> - Chrome
<b>SMPR-TRIM-9- ____</b>	SMPR-9 Magnetic Decorative Trim <b>SN</b> - Satin Nickel   <b>BK</b> - Black   <b>CM</b> - Chrome
<b>SMPR-TRIM-12- ____</b>	SMPR-12 Magnetic Decorative Trim <b>SN</b> - Satin Nickel   <b>BK</b> - Black   <b>CM</b> - Chrome
<b>CLIP-SMPR</b>	Torsion spring clips design for retrofit to hold luminaire in 5", 6", 8" downlight housing.
<b>CONTROL-XFAC*</b>	AVI-ON Bluetooth Zone Controller Adapter

\*see page 4 for sensor and emb spec

**SMPR SERIES SURFACE MOUNT PANEL ROUND**

**DIMENSIONS**

MODEL	W	H
SMPR-5	Ø 5" (Ø 127mm)	0.5" (13mm)
SMPR-7	Ø 7" (Ø 178mm)	0.5" (13mm)
SMPR-9	Ø 9" (Ø 229mm)	0.5" (13mm)
SMPR-12	Ø 12" (Ø 305mm)	0.5" (13mm)



**APPLICATION**

Surface Mount  
 (Standard)

J-Box not included



Retrofit  
 (Part# **CLIP-SMPR** Required)

Downlight housing not included



**SMPR SERIES SURFACE MOUNT PANEL ROUND**

**SENSOR SPEC**

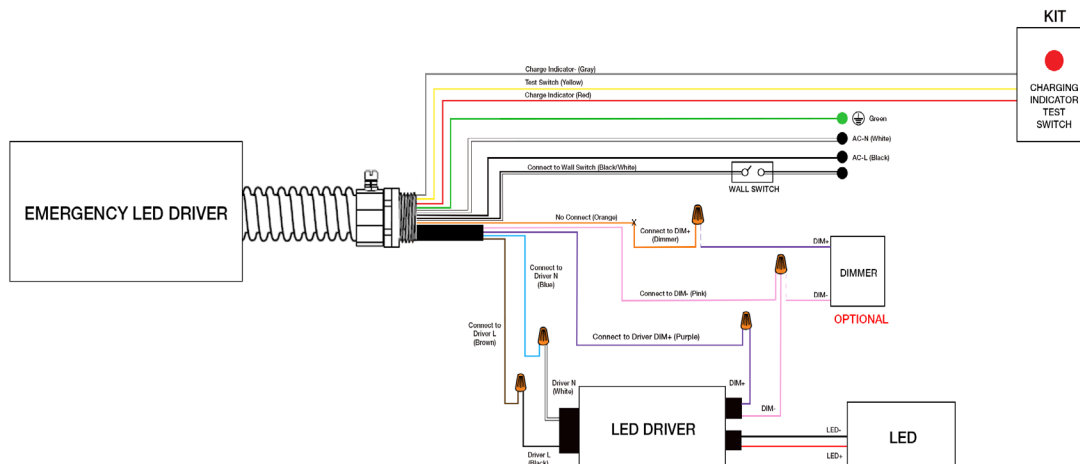
Model	Type	Mounting	Coverage	Input	Function	Programmable
CONTROL-XFAC (see page 5 for detail)	Fixture Controller	-	-	100-277VAC	Bluetooth On/Off/Dimming Scheduling	AVI-ON Bluetooth Mobile App



CONTROL-XFAC

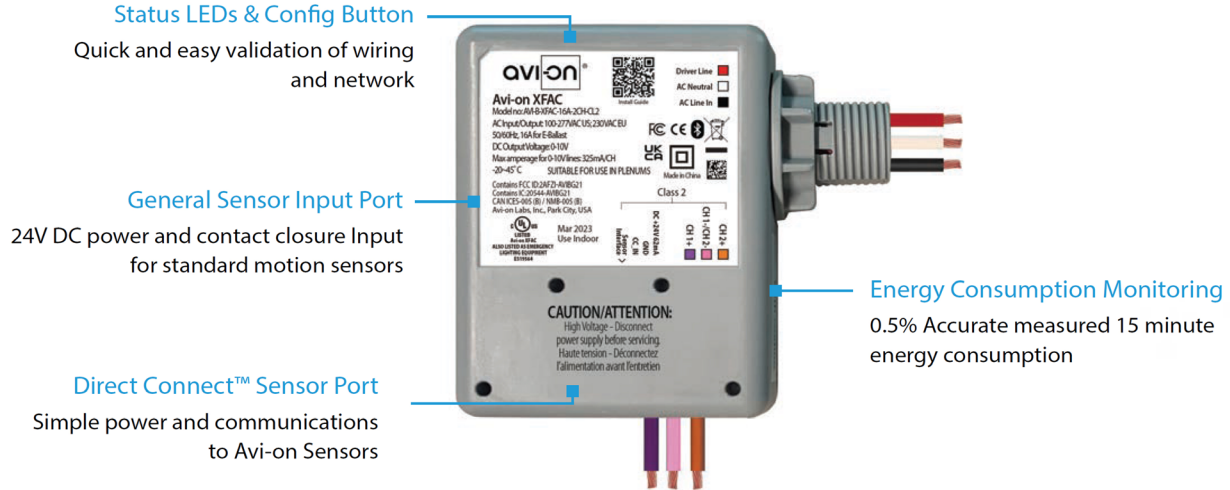
**EMB SPEC**

Model	Compatible Fixture	Battery Capacity	Input	Output	Output Power	Operating Temp	Installation
EMB-H18170	SMPR-5 / 7 SMPR-9	90mins	100-347VAC	170VDC	18W	0°C ~ 50°C 32°F ~ 122°F	Factory or Field Install
EMB-H40170	SMPR-12	90mins	100-347VAC	170VDC	40W	0°C ~ 50°C 32°F ~ 122°F	Factory or Field Install



**SMPR SERIES SURFACE MOUNT PANEL ROUND**

**CONTROL-XFAC SPEC**



**SPECIFICATIONS**

<b>INPUT VOLTAGE:</b>	100-277VAC	<b>RADIO FREQUENCY:</b>	50/60Hz
<b>CURRENT:</b>	MIN: 20 / 14mA MAX: 81 / 46mA	<b>RELAY CURRENT:</b>	16A
<b>0-10V DIMMING:</b>	100-277VAC	<b>PROTECTION/IMMUNITY:</b>	LEVEL 4
<b>SIZE:</b>	3.58" x 3.58" x 1.57" (91mm x 91mm x 40mm)	<b>AMPERAGE FOR 0-10V LINES:</b>	Contact Discharge: ± 8kV Air Discharge: ±12kV 325mA / CH
<b>STORAGE TEMP:</b>	-40°F to + 185°F (-40°C to + 85°C)	<b>WARRANTY:</b>	5 years
<b>OPERATING TEMP:</b>	-4°F to + 113°F (-20°C to + 45°C)	<b>REGULATORY:</b>	FCC: 2AFZI-AVIBG21 IC: 20544-AVBG21 BQB: D059595, DID: 185220 UL 924, 2043

**WIRING DIAGRAM**

