

LHEA SERIES LINEAR BAY LIGHT

Client:
 Project:
 Type:
 Quantity:

CONSTRUCTION

Full body steel housing constructed for shipment and job site durability.
 Channel includes top and side knockouts for simple and accessible wiring.

OPTICS

>95% efficiency optical grade polycarbonate prismatic lens available for general distribution or aisle distribution. Optional wireguard.

ELECTRICAL

80+ CRI LED. -40°C up to 55°C (-40°F up to 131°F) maximum operating temperature.
 L₇₀ >100,000 hours.
 50/60Hz, <20% THD, >.9 Power Factor.
 Dim-to-Off Driver operates at 120-277V input, 0-10V dimmable, with integral 12V AUX
 3.5mm sensor receptacle for SENSOR-ANT-6-4T.
 Built-in thermal protector. Optional 347/480V input.
 Optional dimming sensor for occupancy and ambient light level detection.
 Optional emergency battery for 120-277V / 480V application.



270W

SENSORS (OPTIONAL)

- SENSOR-819-O1 End mount on/off motion sensor lowbay lens.
- SENSOR-819-O2 End mount on/off motion sensor highbay lens.
- SENSOR-819-D1 End mount programmable motion and photocell sensor lowbay lens.
- SENSOR-819-D2 End mount programmable motion and photocell sensor highbay lens.
- SENSOR-BLE-819 End mount ALS CONTROL bluetooth on/off motion sensor lowbay lens.
- SENSOR-ANT-6-4T Plug-N-Play PIR on/off/dimming/photosensing.
- SENSOR-BLE-6-4T Integral PIR ALS Control bluetooth/on/off/dimming/photosensing.
- CONTROL-LVFA AVI-ON Bluetooth Mesh Controller.
- SENSOR-DC-PIR AVI-ON PIR and Daylighting Sensor

MOUNTING

Adjustable aircraft cable hanger as standard mounting.

STANDARD FINISH

All metal parts are post painted after fabrication with polyester powder coat paint with 90% reflectance.

CERTIFICATION

Meets Buy America Act requirements.
 All luminaires are built to UL1598 standards and bear appropriate cULus labels.
 For Emergency application, equipment with UL924 certified battery packs.
 DLC[®] Premium (DesignLights Consortium Qualified).

WARRANTY

5 year warranty, see Limited Warranty for additional information.

SHIPPING DATA

| Product | Measurement | Weight |
|----------|-------------------|--------|
| LHEA-135 | 17"L x 11"W x 2"H | 5 lb |
| LHEA-200 | 23"L x 11"W x 2"H | 6 lb |
| LHEA-270 | 32"L x 11"W x 2"H | 8 lb |
| LHEA-400 | 45"L x 11"W x 2"H | 11 lb |



LHEA SERIES LINEAR BAY LIGHT

ORDER INFORMATION **EXAMPLE : LHEA 130 MC FL WH UD**

| Fixture | Series | Power & LM | CCT | Distribution | Finish | Input |
|---------|-------------|------------|-----------|--------------|-----------|-------|
| | LHEA | | MC | | WH | |

A SERIES

LHEA Linear Bay Light

B POWER & LM

| CODE | POWER | LM | LPW |
|------|-------------------------------|-----------------|-----|
| 135 | Field Selectable 100/115/135W | 15,000 ~ 20,250 | 150 |
| 200 | Field Selectable 155/185/200W | 23,250 ~ 30,000 | 150 |
| 270 | Field Selectable 200/230/270W | 30,000 ~ 40,500 | 150 |
| 400 | Field Selectable 270/340/400W | 40,500 ~ 60,000 | 150 |

C CCT

MC Field Selectable 4000/5000K

D DISTRIBUTION

FL Frosted General Distribution Lens **AL** Frosted Aisle Distribution Lens

E FINISH

WH White

F INPUT

UD Dim-to-Off 120-277V Input 0-10V Dimming **HD** Dim-to-Off 277-480V Input 0-10V Dimming

LHEA SERIES LINEAR BAY LIGHT

ORDER INFORMATION (CONTINUED)

Accessories
 Options

G ACCESSORIES/OPTIONS

| | |
|---------------------------|---|
| blank | Adjustable aircraft cable hanging kit (standard) |
| AIA | Assembled in America, compliant with BAA (COTS) |
| PMK | Pendant Mount Kit |
| SMK | Surface Mount Kit |
| WIREGUARD-LHEA-A | Wireguard for LHEA-135 (1:1) |
| WIREGUARD-LHEA-B | Wireguard for LHEA-200 (1:1) |
| WIREGUARD-LHEA-C | Wireguard for LHEA-270 (1:1) |
| WIREGUARD-LHEA-D | Wireguard for LHEA-400 (1:1) |
| EMB-H18170** | External emergency battery 18W |
| EMB-H40170** | External emergency battery 40W |
| EMB-H40500** | External emergency battery 40W |
| REMOTE-RC100 | Handheld Remote Commissioning Tool for SENSOR-819-D1/D2 Only, ANT Series |
| SENSOR-BLE-6-4T* | “Plug-N-Play” Integral Bluetooth Daylight Harvesting Sensor (ALS Control Mobile App) |
| SENSOR-ANT-6-4T* | Integral PIR on/off/dimming/photosensing |
| SENSOR-819-O1* | End mount on/off motion sensor lowbay lens |
| SENSOR-819-O2* | End mount on/off motion sensor highbay lens |
| SENSOR-819-D1* | End mount on/off/dimming and photocell sensor lowbay lens |
| SENSOR-819-D2* | End mount on/off/dimming and photocell sensor highbay lens |
| SENSOR-BLE-819-L1* | End Mount PIR Bluetooth Daylight Harvesting Sensor (ALS Control Mobile App) / L1: up to 20FT |
| CONTROL-LVFA* | AVI-ON Bluetooth Mesh Control System |
| SENSOR-DC-PIR* | AVI-ON PIR Bluetooth Sensor on/off/dimming/photosensing. |
| -CORD | 18-3 300V 6 Foot Cord |
| -PLUG | 18-3 300V 6 Foot and 3 Prong Plug |

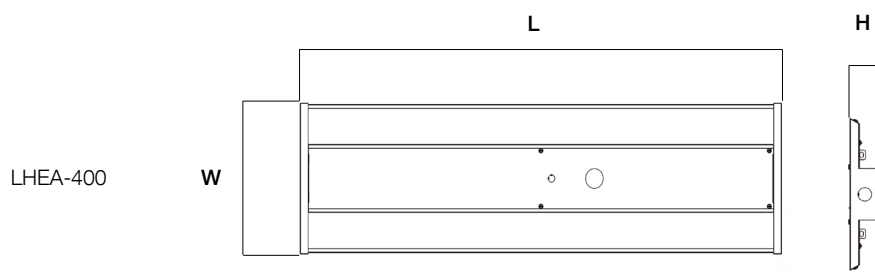
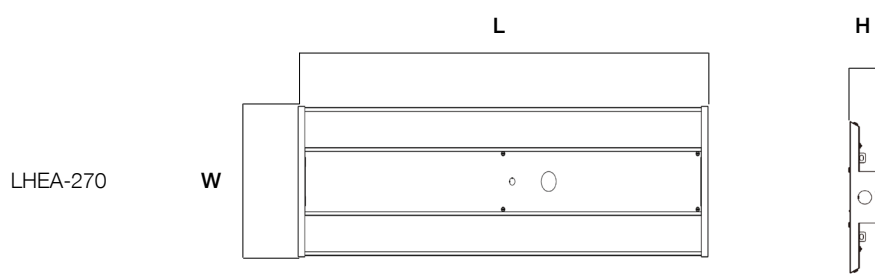
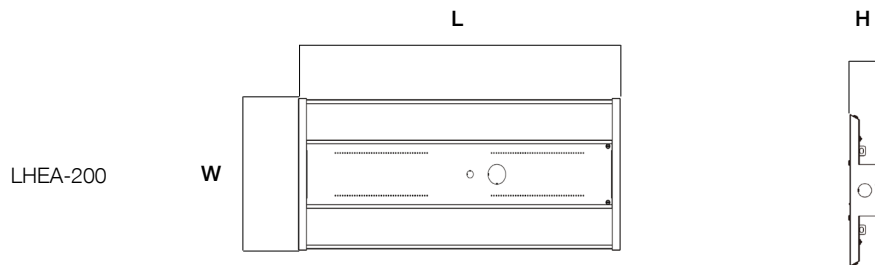
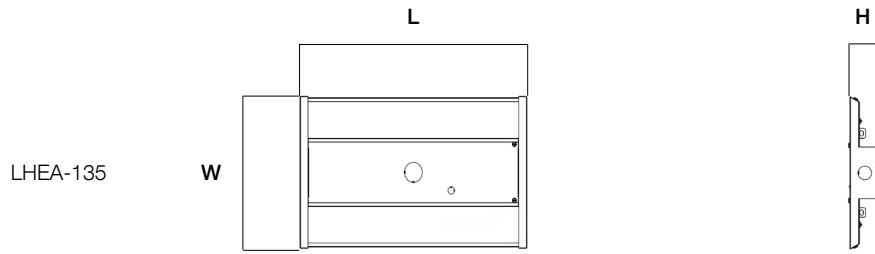
*see page 7 for sensor spec

**see page 8 for emb spec

LHEA SERIES LINEAR BAY LIGHT

DIMENSIONS

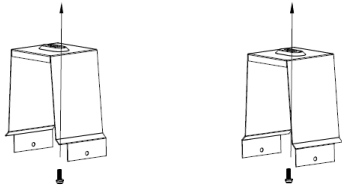
| Model | L | W | H |
|----------|----------------|---------------|-------------|
| LHEA-135 | 16.5" (420mm) | 10.2" (260mm) | 1.8" (45mm) |
| LHEA-200 | 22.8" (580mm) | 10.2" (260mm) | 1.8" (45mm) |
| LHEA-270 | 31.1" (790mm) | 10.2" (260mm) | 1.8" (45mm) |
| LHEA-400 | 44.1" (1120mm) | 10.2" (260mm) | 1.8" (45mm) |



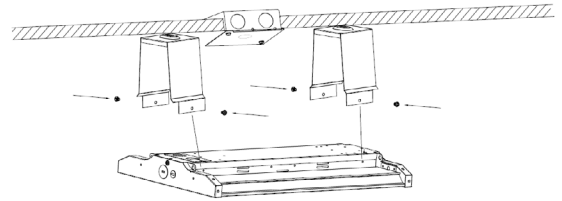
LHEA SERIES LINEAR BAY LIGHT

MOUNTING

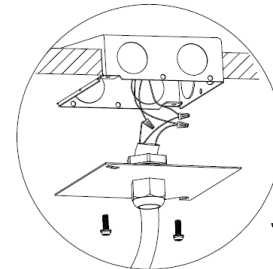
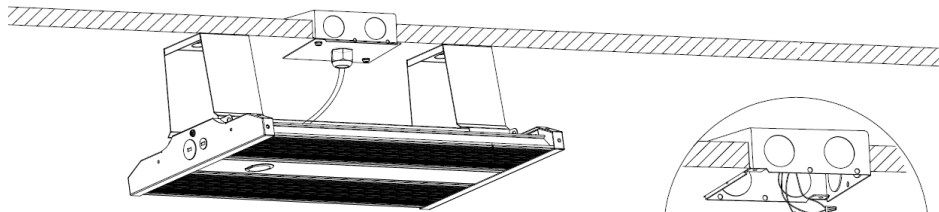
SMK - SURFACE MOUNT



Install SMK (Pair) to ceiling with proper screw & anchor



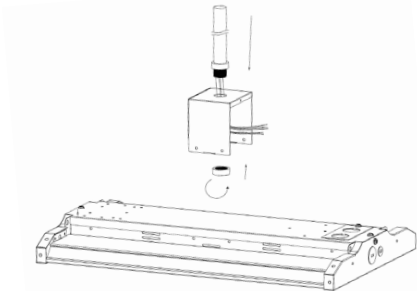
Secure LHEA onto SMK by tighten screws provided



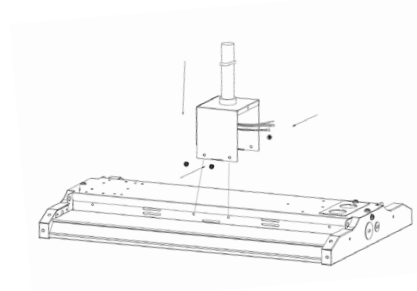
J-box and Flex Conduit
 Provided By Other

Feed wires through flex conduit, all connection to be made inside ceiling J-box

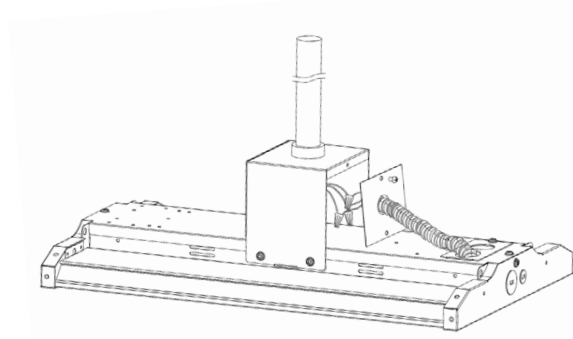
PMK - PENDANT MOUNT



Securely attach PMK to conduit



Secure LHEA onto PMK by tighten screws provided



Flex Conduit
 Provided By Other

Feed wires through flex conduit, all connection to be made inside PMK J-box

LHEA SERIES LINEAR BAY LIGHT

PERFORMANCE DATA

| SYSTEM WATTS | VOLTAGE | 4000K / 5000K with FL Lens | | 4000K / 5000K with AL Lens | | QTY ON PALLET |
|-----------------|-----------------|----------------------------|-----|----------------------------|-----|---------------|
| | | LUMENS | LPW | LUMENS | LPW | |
| 135W Set @ 100W | 120-277V / 480V | 14700 | 147 | 15400 | 154 | 240 |
| 135W Set @ 115W | 120-277V / 480V | 16905 | 147 | 17710 | 154 | 240 |
| 135W Set @ 135W | 120-277V / 480V | 19845 | 147 | 20790 | 154 | 240 |
| 200W Set @ 155W | 120-277V / 480V | 23870 | 154 | 22630 | 146 | 200 |
| 200W Set @ 185W | 120-277V / 480V | 28490 | 154 | 27010 | 146 | 200 |
| 200W Set @ 200W | 120-277V / 480V | 30800 | 154 | 29200 | 146 | 200 |
| 270W Set @ 200W | 120-277V / 480V | 29600 | 148 | 30400 | 152 | 160 |
| 270W Set @ 230W | 120-277V / 480V | 34040 | 148 | 34960 | 152 | 160 |
| 270W Set @ 270W | 120-277V / 480V | 39960 | 148 | 41040 | 152 | 160 |
| 400W Set @ 270W | 120-277V / 480V | 39960 | 148 | 41580 | 154 | 120 |
| 400W Set @ 340W | 120-277V / 480V | 50320 | 148 | 52360 | 154 | 120 |
| 400W Set @ 400W | 120-277V / 480V | 59200 | 148 | 61600 | 154 | 120 |

DLC CODE (PENDING)

| Part Number | DLC Part Number | DLC Class |
|--------------------------|-----------------|-----------|
| LHEA-135MCFL-CKWHUD / HD | - | Premium |
| LHEA-135MCAL-CKWHUD / HD | - | Premium |
| LHEA-200MCFL-CKWHUD / HD | - | Premium |
| LHEA-200MCAL-CKWHUD / HD | - | Premium |
| LHEA-270MCFL-CKWHUD / HD | - | Premium |
| LHEA-270MCAL-CKWHUD / HD | - | Premium |
| LHEA-400MCFL-CKWHUD / HD | - | Premium |
| LHEA-400MCAL-CKWHUD / HD | - | Premium |

LHEA SERIES LINEAR BAY LIGHT

SENSOR SPEC

| Model | Type | Mounting | Coverage | Input | Function | Programmable |
|---|-----------------------|------------------|----------------------------|-------------------------------|---|--|
| SENSOR-ANT-6-4T | PIR | up to 40FT | 30FT radius | 12V DC | On/Off/Dimming | REMOTE-RC100 |
| SENSOR-BLE-6-4T (see page 11 for detail) | PIR | up to 40FT | 30FT radius | 12V DC | Bluetooth Mesh On/Off/Dimming Daylight Harvesting | ALS Control Bluetooth Mobile App |
| SENSOR-819-O1 SENSOR-819-O2 | PIR | 20FT 40FT | 30FT radius 30FT radius | Universal | On/Off | - |
| SENSOR-819-D1 SENSOR-819-D2 | PIR | 20FT 40FT | 30FT radius 30FT radius | Universal | On/Off/Dimming | REMOTE-RC100 |
| SENSOR-BLE-819 (see page 12 for detail) | PIR | L1 - 20FT | 30FT radius | Universal | Bluetooth Mesh On/Off/Dimming Daylight Harvesting | ALS Control Bluetooth Mobile App |
| CONTROL-LVFA (see page 9 for detail) | Fixture Controller | - | - | 12V DC | Bluetooth Mesh On/Off/Dimming Scheduling | AVI-ON Bluetooth Mobile App |
| SENSOR-DC-PIR (see page 10 for detail) | PIR | 8FT ~ 40FT | 45FT radius | AVI-ON Sensor Interface | Bluetooth Mesh Daylight Harvesting Motion | AVI-ON Bluetooth Mobile App |



SENSOR-ANT-6-4T
 SENSOR-BLE-6-4T



SENSOR-819-XX
 SENSOR-BLE-819



CONTROL-LVFA

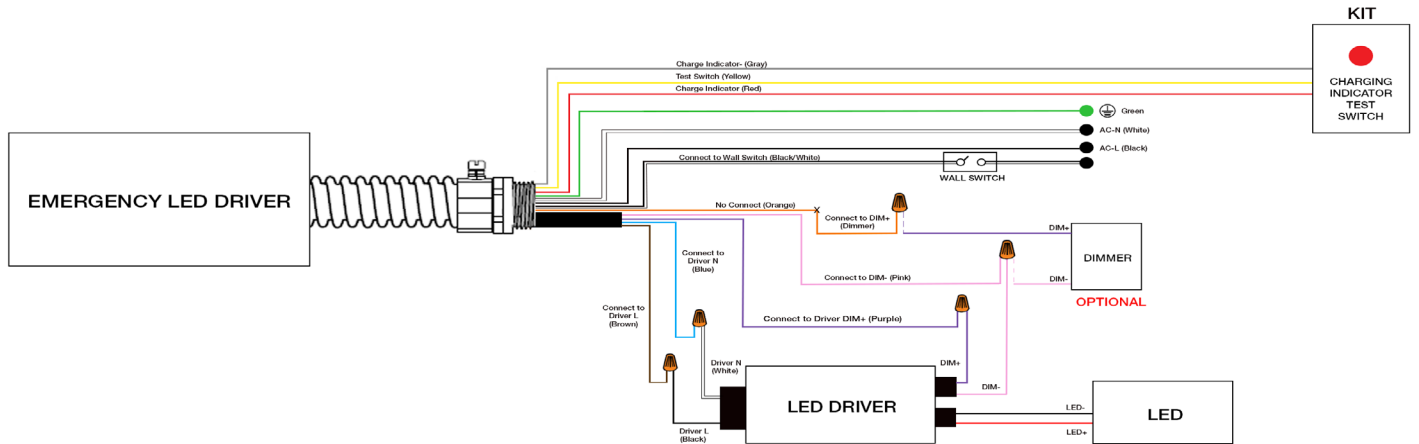


SENSOR-DC-PIR

LHEA SERIES LINEAR BAY LIGHT

EMB SPEC

| Model | Battery Capacity | Input | Output | Output Power | Operating Temp | Installation |
|------------|------------------|------------|------------|--------------|----------------------------|-----------------------------|
| EMB-H18170 | 90mins | 100-347VAC | 170VDC | 18W | 0°C ~ 50°C 32°F ~ 122°F | Factory or Field Install |
| EMB-H40170 | 90mins | 100-347VAC | 170VDC | 40W | 0°C ~ 50°C 32°F ~ 122°F | Factory or Field Install |
| EMB-H40500 | 90mins | 277-480VAC | 300-500VDC | 40W | 0°C ~ 50°C 32°F ~ 122°F | Factory or Field Install |



LHEA SERIES LINEAR BAY LIGHT

CONTROL-LVFA SPEC

Status LEDs & Config Button

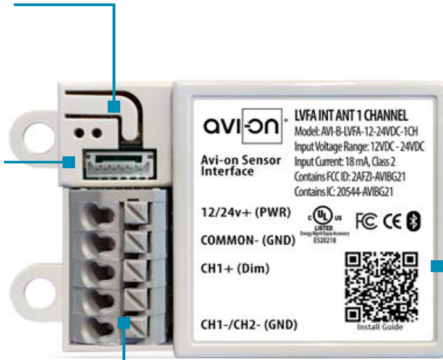
Quick and easy validation of wiring and network

Direct Connect™ Sensor Port

Simple and cost-effective addition to Avi-on sensors

Terminal Blocks & Mounting Tabs

Faster, easier and lower cost installation eliminating connectors



Internal Antenna

Improved performance and eliminates risk of accidentally cutting a hanging wire

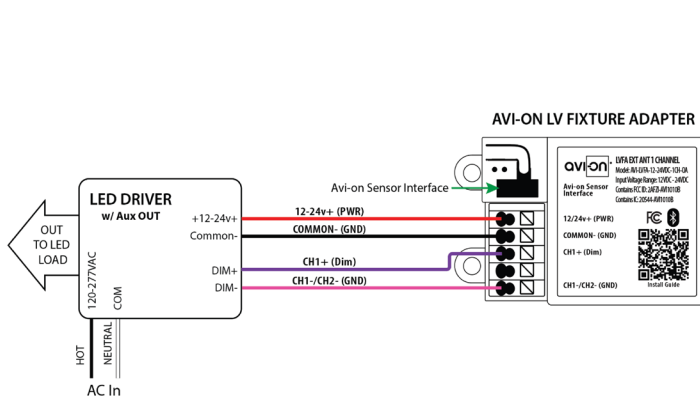
SPECIFICATIONS

INPUT VOLTAGE: 12-24VDC
CURRENT: 15mA without a Sensor
 19mA with a DC PIR Sensor
 48mA with a DC Microwave Sensor
0-10V DIMMING: 12-24VDC
SIZE: 2.30in x 1.43in x 0.75in
 (58.2mm x 36.4mm x 19mm)
MOUNTING: Removable mounting tabs
WEIGHT: 0.45 oz (16g)
OPERATING TEMP: -22°F to +158°F (-30°C to + 70°C)

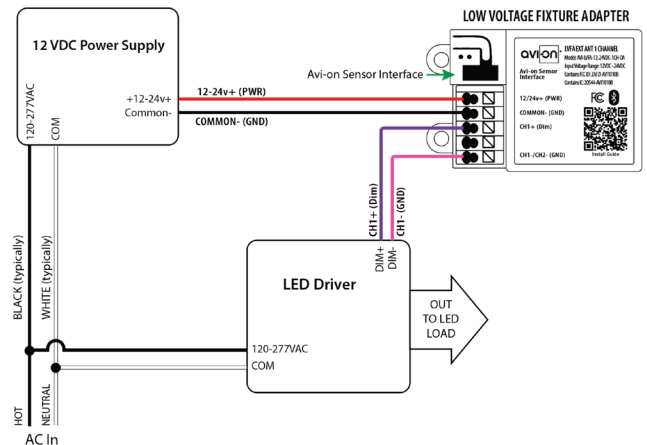
RADIO FREQUENCY: 2.4GHz
WIRELESS STANDARD: BLE 4.2 with Mesh
POINT TO POINT RANGE*: 80ft with obstructions
 350ft unobstructed
SECURITY: AES 128-bit encryption for device to device communication
 AES 256-bit encryption for device to cloud communication
WARRANTY: 5 years; 10 years optional
REGULATORY: FCC: 2AFZI-AVI1010 B
 IC: 20544-AVI1010 B
 BQB: D031801, DID: 86303
 UL 916, 2043 (Plenum Rated)

*When communicating through the mesh, range is essentially unlimited (5000ft+)

WIRING DIAGRAM



Fixture adapter powered by LED driver auxiliary output



Fixture adapter connected to LED driver and using power supply

LHEA SERIES LINEAR BAY LIGHT

SENSOR-DC-PIR SPEC

Bi Level PIR Motion & Daylighting Sensor
 Fully Adjustable parameters

Easy Connect to Avi-on Fixture
 & Zone Controllers
 3ft and 10ft cable options are easy
 to install inside or outside fixture



Flexible Mounting Options

- In-fixture
- Ceiling Mount
- Side Mount
- Junction Mount
- IP 67 for Watertight Applications
- UL Indoor Rated

High Resolution Lens & Sensor

A Single product suited for 8' to 40' mounting heights, indoor and outdoor, warehouse and office

SPECIFICATIONS

INPUT VOLTAGE: AVI-ON Direct Connect Low Voltage DC Sensor Port
SIZE: 2.30in x 1.43in x 0.75in
 (58.2mm x 36.4mm x 19mm)
MOUNTING: 8FT - 40 FT
PIR Head (Ceiling or Fixture): 1/2in (18mm)
 Threaded insert size:
 0.80in (20.5mm) x 0.4in (10mm) tall.
Elbow: Connector thread size:
 0.80in (20.5mm) x 0.79in (20mm).
WEIGHT: 1.4oz (40g)

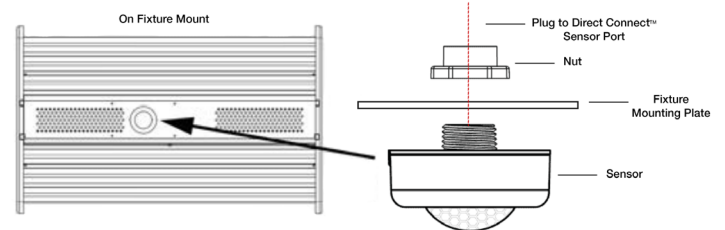
OPERATING TEMP: -22°F to +158°F (-30°C to +70°C)
STORAGE TEMP: -40°F to +185°F (-40°C to +85°C)
OPERATING MODES: Occupancy, Vacancy, UV-C safety, B-Level, dim-to-specified level (never off), schedule driven, control zones
STATUS LED: Motion Detection
DAYLIGHT HARVESTING: Open or closed loop
DAYLIGHTING RANGE: 360° X 90°
WARRANTY: 5 years; 10 years optional
REGULATORY: UL 916
 IP 67 - Sensor Head
 IP 66 - With Elbow Head

*Note: Operating controller at or above these levels may result in damage to components/product

WIRING DIAGRAM



MOUNTING DIAGRAM



FEATURE

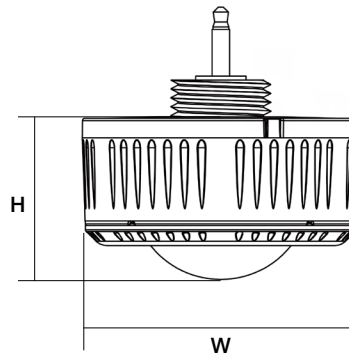
- **Installation:** Plug-N-Play via AUX socket on attached fixture
- **Commissioning:** Wirelessly through ALS Control Mobile App (iOS / Android)
- **Certification:** DLC 5.1 Networked Lighting Control System
- **Control:** Hold time, High-Low setting, continuous Bi-level dimming, Code-compliant manual-on or auto-off capability
- **Sensor:** Motion (Occupancy/Vacancy/Manual) and Daylight Harvesting
- **Room and Zone Control:** Zoning and Grouping control, Scheduling



SPECIFICATIONS

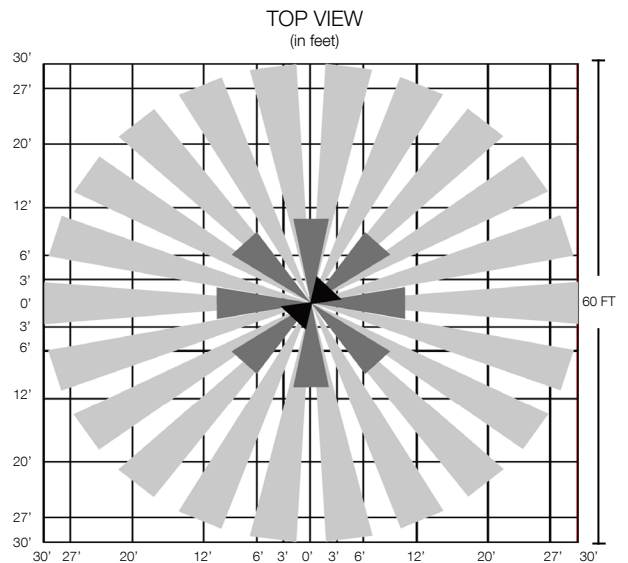
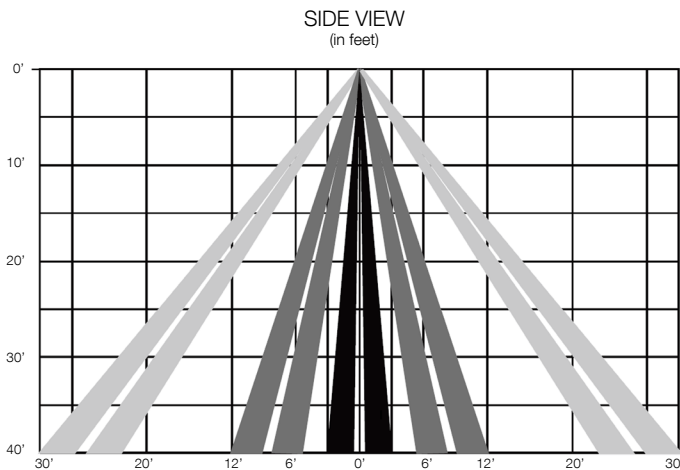
| | |
|-----------------------------|-------------------------------|
| SENSOR TYPE: | Passive Infrared Sensor (PIR) |
| WIRELESS STANDARDS: | 5.0 Bluetooth Mesh |
| INPUT VOLTAGE: | 12-24VDC, >50mA |
| CONTROL OUTPUT: | 0-10V |
| OPERATING TEMP: | -4°F ~ +140°F (-20°C ~ +60°C) |
| COMMISSIONING RANGE: | 50FT |
| BLUETOOTH RANGE: | 164FT |
| DETECTION ANGLE: | 360° |
| MOUNTING HEIGHT: | Up to 40FT |
| WARRANTY: | 5 years |
| IP RATING: | IP65 |

DIMENSIONS



| H | W |
|-------------------|-----------------|
| 1.03" (26.2mm) | 2.17" (55mm) |

COVERAGE PATTERNS



FEATURE

- **Installation:** Factory or Field Install End Mount to Fixture
- **Commissioning:** Wirelessly through ALS Control Mobile App (iOS / Android)
- **Certification:** DLC 5.1 Networked Lighting Control System
- **Control:** Hold time, High-Low setting, continuous Bi-level dimming, Code-compliant manual-on or auto-off capability
- **Sensor:** Motion (Occupancy/Vacancy/Manual) and Daylight Harvesting
- **Room and Zone Control:** Zoning and Grouping control, Scheduling

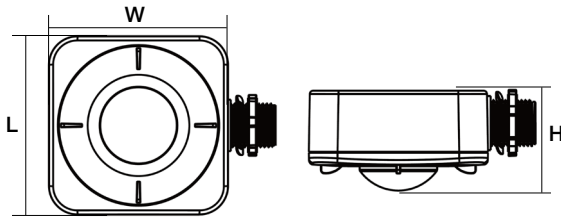


SPECIFICATIONS

SENSOR TYPE: Passive Infrared Sensor (PIR)
WIRELESS STANDARDS: Bluetooth SIG Mesh
INPUT VOLTAGE: 120/277VAC
CONTROL OUTPUT: 0-10V
OPERATING TEMP: -40°F ~ +167°F (-40°C ~ +75°C)

COMMISSIONING RANGE: 50FT
BLUETOOTH RANGE: Integral antenna up to 100FT
DETECTION ANGLE: Vertical 90° x Horizontal 360°
MOUNTING HEIGHT: 8 - 40FT
WARRANTY: 5 years
IP RATING: IP20 Damp

DIMENSIONS



| L | W | H |
|-----------------|------------------|-------------------|
| 3.19" (81mm) | 4.02" (102mm) | 1.70" (43.3mm) |

COVERAGE PATTERNS

