



LHB SERIES LINEAR BAY LIGHT

Client:
Project:
Type:
Quantity:

CONSTRUCTION

Full body steel housing constructed for shipment and job site durability.
Channel includes top and side knockouts for simple and accessible wiring.

OPTICS

>95% efficiency optical grade polycarbonate diffused lens for wide distribution.

ELECTRICAL

80+ CRI LED.
-40°C up to 55°C (-40°F up to 131°F) maximum operating temperature.
60,000 hr LEDs at L70 @ 40°C. 50/60Hz, <20% THD, >.9 Power Factor.
50,000 hr rated electronic driver. Driver operates at 120-277V input,
0-10V dimmable driver, down to 10%. Optional 347/480V input.
Optional dimming sensor for occupancy and ambient light level detection.
Optional external emergency battery for 120-277V / 480V application.

SENSORS (OPTIONAL)

SENSOR-819-O1 End mount on/off motion sensor lowbay lens.
SENSOR-819-O2 End mount on/off motion sensor highbay lens.
SENSOR-819-D1 End mount programmable motion and photocell sensor lowbay lens.
SENSOR-819-D2 End mount programmable motion and photocell sensor highbay lens.
SENSOR-BLE-819 End mount ALS CONTROL bluetooth on/off motion sensor lowbay lens.
CONTROL-LVFA AVI-ON Bluetooth Mesh Controller.
SENSOR-DC-PIR AVI-ON PIR and Daylighting Sensor

MOUNTING

Adjustable aircraft cable hanger as standard mounting.

STANDARD FINISH

All metal parts are post painted after fabrication with polyester powder coat paint with 90% reflectance.

CERTIFICATION

Meets Buy America Act requirements.
All luminaires are built to UL1598 standards for damp location and bear appropriate cULus labels.
For Emergency application, equipment with UL924 certified battery packs.
DLC® Premium (DesignLights Consortium Qualified).

WARRANTY

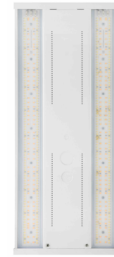
5 year warranty, see Limited Warranty for additional information.



175 / 210W



90 / 130W



175 / 210W



270 / 300W

SHIPPING DATA

Product	Measurement	Weight
LHB-90 / 130	17"L x 10"W x 2"H	6 lb
LHB-175 / 210	24"L x 10"W x 2"H	7 lb
LHB-270 / 300	36"L x 10"W x 2"H	10 lb



LHB SERIES LINEAR BAY LIGHT

ORDER INFORMATION **EXAMPLE: LHB 130 50 FL WH UD**

Fixture	Series	Power & LM	CCT	Distribution	Finish	Input
	LHB			FL	WH	

A SERIES

LHB Linear Bay Light

B POWER & LM

Code	Power	LM	LPW	Code	Power	LM	LPW
90	90W	12700lm	141	210	210W	30600lm	146
130	130W	18600lm	140	270	270W	37000lm	137
175	175W	25000lm	143	300	300W	41500lm	138

C CCT

40 4000K **50** 5000K

D DISTRIBUTION

FL Diffused Lens

E FINISH

WH White

F INPUT

UD 120-277V, 0-10V Dimmable **HD** 347V/480V, 0-10V Dimmable

ORDER INFORMATION (CONTINUED)

Accessories
 Options

G ACCESSORIES/OPTIONS

AIA	Assembled in America, compliant with BAA (COTS)
WIREGUARD-LHB-A	Wireguard for LHB-90/130
WIREGUARD-LHB-B	Wireguard for LHB-175/210
WIREGUARD-LHB-C	Wireguard for LHB-270/300
EMB-H15260**	External emergency battery 15W for LHB-90/130/175/210
EMB-H40170**	External emergency battery 40W
EMB-H40500**	External emergency battery 40W
SENSOR-819-O1*	End mount on/off motion sensor lowbay lens
SENSOR-819-O2*	End mount on/off motion sensor highbay lens
SENSOR-819-D1*	End mount on/off/dimming and photocell sensor lowbay lens
SENSOR-819-D2*	End mount on/off/dimming and photocell sensor highbay lens
SENSOR-BLE-819-L1*	End Mount PIR Bluetooth Daylight Harvesting Sensor (ALS Control Mobile App) / L1: up to 20FT
CONTROL-LVFA*	AVI-ON Bluetooth Mesh Control System
SENSOR-DC-PIR*	AVI-ON PIR Bluetooth Sensor on/off/dimming/photosensing.
REMOTE-RC100	Handheld Remote Commissioning Tool for SENSOR-819-D1/D2 Only, ANT Series
-CORD	18-3 300V cord (Specify length)
-PLUG	18-3 300V 6 Foot Cord and 3 Prong Plug
TWIST-LOCK	Specify Plug Type: L515P / L715P / HBL5929 / L8-20P

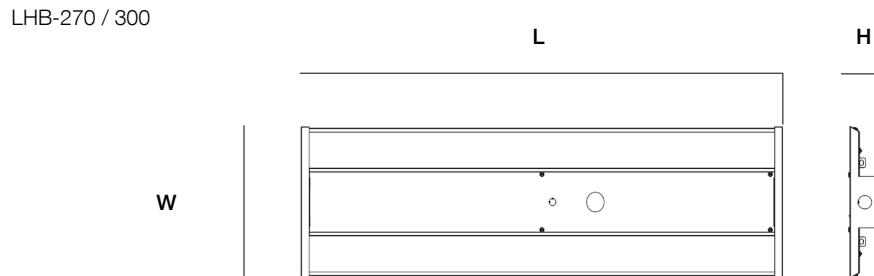
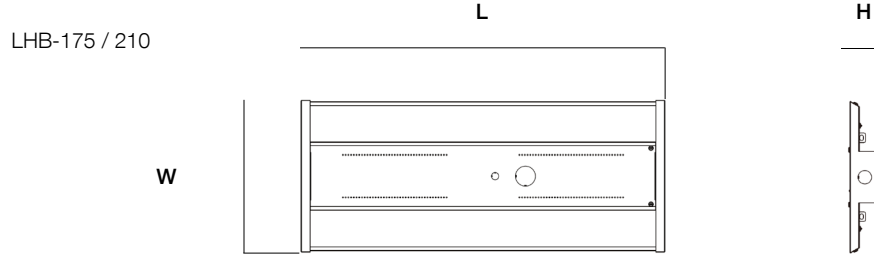
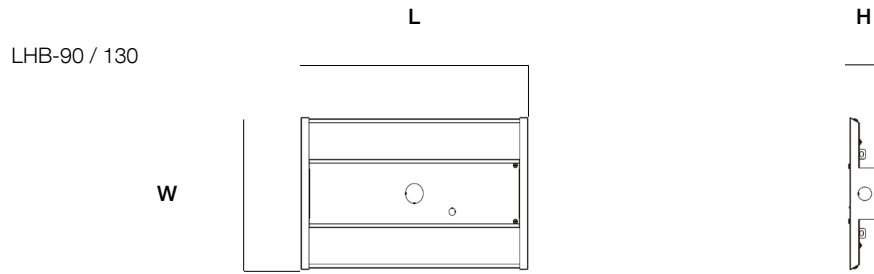
*see page 6 for sensor spec

**see page 7 for emb spec

LHB SERIES LINEAR BAY LIGHT

DIMENSIONS

Model	L	W	H
LHB-90 / 130	16.54" (420mm)	9.84" (250mm)	1.75" (44mm)
LHB-175 / 210	23.62" (600mm)	9.84" (250mm)	1.75" (44mm)
LHB-270 / 300	35.43" (900mm)	9.84" (250mm)	1.75" (44mm)



LHB SERIES LINEAR BAY LIGHT

PERFORMANCE DATA

SYSTEM WATTS	VOLTAGE	4000K / 5000K		QTY ON PALLET
		LUMENS	LPW	
90W	120-277V	12690	141	240
130W	120-277V	18590	143	240
175W	120-277V	25025	143	200
210W	120-277V	30660	146	200
270W	120-277V	35910	133	160
300W	120-277V	40500	135	160

DLC CODE

Part Number	DLC Part Number	DLC Class
LHB - 90 40 FL WH UD	S-8WOSQG	Standard
LHB - 90 50 FL WH UD	S-7I4WCN	Standard
LHB - 130 40 FL WH UD	S-GHN2DQ	Standard
LHB - 130 50 FL WH UD	S-IJN8X3	Standard
LHB - 175 40 FL WH UD	S-ZSN6RC	Standard
LHB - 175 50 FL WH UD	S-KPQJEL	Standard
LHB - 210 40 FL WH UD	S-LNAQFX	Standard
LHB - 210 50 FL WH UD	S-FBW94K	Standard
LHB - 270 40 FL WH UD	S-W8CFED	Standard
LHB - 270 50 FL WH UD	S-65K1GB	Standard
LHB - 300 40 FL WH UD	S-JZ017Y	Standard
LHB - 300 50 FL WH UD	S-JRBPF6	Standard

LHB SERIES LINEAR BAY LIGHT

SENSOR SPEC

Model	Type	Mounting	Coverage	Input	Function	Programmable
SENSOR-819-O1 SENSOR-819-O2	PIR	20FT 40FT	30FT radius 30FT radius	Universal	On/Off	-
SENSOR-819-D1 SENSOR-819-D2	PIR	20FT 40FT	30FT radius 30FT radius	Universal	On/Off/Dimming	REMOTE-RC100
SENSOR-BLE-819 (see page 10 for detail)	PIR	L1 - 20FT	30FT radius	Universal	Bluetooth Mesh On/Off/Dimming Daylight Harvesting	ALS Control Bluetooth Mobile App
CONTROL-LVFA (see page 8 for detail)	Fixture Controller	-	-	12V DC	Bluetooth Mesh On/Off/Dimming Scheduling	AVI-ON Bluetooth Mobile App
SENSOR-DC-PIR (see page 9 for detail)	PIR	8FT ~ 40FT	45FT radius	AVI-ON Sensor Interface	Bluetooth Mesh Daylight Harvesting Motion	AVI-ON Bluetooth Mobile App



SENSOR-819-XX
 SENSOR-BLE-819



CONTROL-LVFA

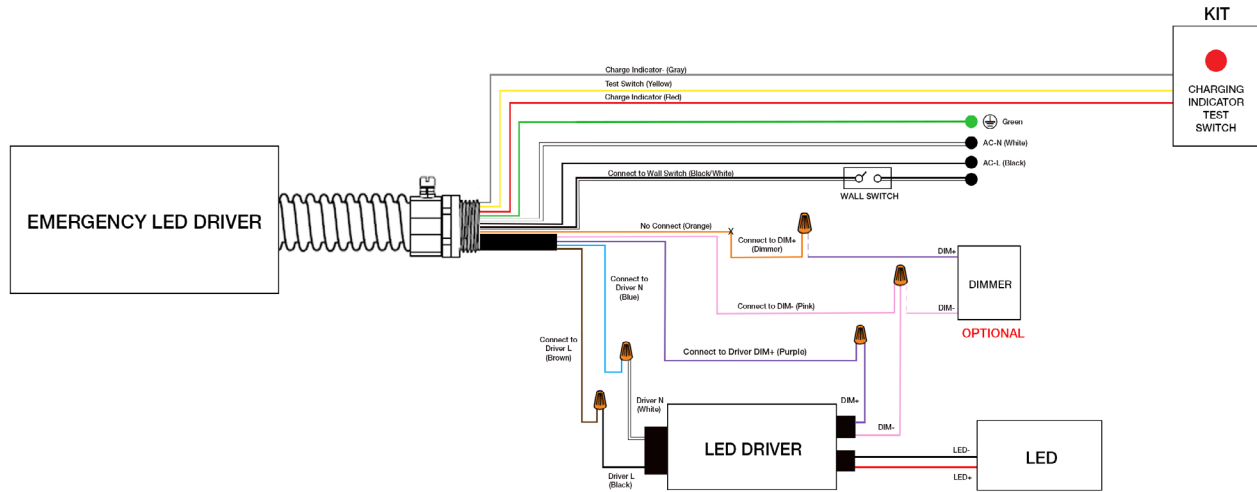


SENSOR-DC-PIR

LHB SERIES LINEAR BAY LIGHT

EMB SPEC

Model	Compatible Fixture	Battery Capacity	Input	Output	Output Power	Operating Temp	Installation
EMB-H15260	LHB-90 / 130 / 175 LHB-210	90mins	100-277VAC	90-260VDC	15W	0°C ~ 50°C 32°F ~ 122°F	Factory or Field Install
EMB-H40170	LHB-90 / 130 / 175 LHB-210 / 270 / 300	90mins	100-347VAC	170VDC	40W	0°C ~ 50°C 32°F ~ 122°F	Factory or Field Install
EMB-H40500	LHB-90 / 130 / 175 LHB-210 / 270 / 300	90mins	277-480VAC	300-500VDC	40W	0°C ~ 50°C 32°F ~ 122°F	Factory or Field Install



LHB SERIES LINEAR BAY LIGHT

CONTROL-LVFA SPEC

Status LEDs & Config Button

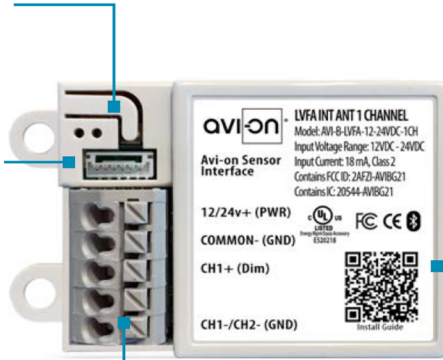
Quick and easy validation of wiring and network

Direct Connect™ Sensor Port

Simple and cost-effective addition to Avi-on sensors

Terminal Blocks & Mounting Tabs

Faster, easier and lower cost installation eliminating connectors



Internal Antenna

Improved performance and eliminates risk of accidentally cutting a hanging wire

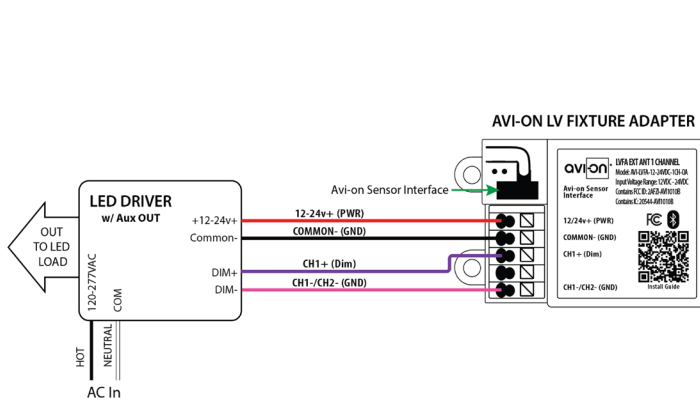
SPECIFICATIONS

INPUT VOLTAGE: 12-24VDC
CURRENT: 15mA without a Sensor
 19mA with a DC PIR Sensor
 48mA with a DC Microwave Sensor
0-10V DIMMING: 12-24VDC
SIZE: 2.30in x 1.43in x 0.75in
 (58.2mm x 36.4mm x 19mm)
MOUNTING: Removable mounting tabs
WEIGHT: 0.45 oz (16g)
OPERATING TEMP: -22°F to +158°F (-30°C to + 70°C)

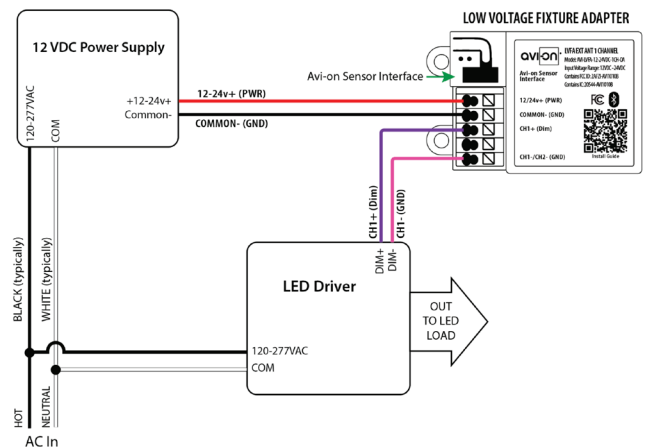
RADIO FREQUENCY: 2.4GHz
WIRELESS STANDARD: BLE 4.2 with Mesh
POINT TO POINT RANGE*: 80ft with obstructions
 350ft unobstructed
SECURITY: AES 128-bit encryption for device to device communication
 AES 256-bit encryption for device to cloud communication
WARRANTY: 5 years; 10 years optional
REGULATORY: FCC: 2AFZI-AVI1010 B
 IC: 20544-AVI1010 B
 BQB: D031801, DID: 86303
 UL 916, 2043 (Plenum Rated)

*When communicating through the mesh, range is essentially unlimited (5000ft+)

WIRING DIAGRAM



Fixture adapter powered by LED driver auxiliary output



Fixture adapter connected to LED driver and using power supply

LHB SERIES LINEAR BAY LIGHT

SENSOR-DC-PIR SPEC

Bi Level PIR Motion & Daylighting Sensor

Fully Adjustable parameters

Easy Connect to Avi-on Fixture & Zone Controllers

3ft and 10ft cable options are easy to install inside or outside fixture



Flexible Mounting Options

- In-fixture
- Ceiling Mount
- Side Mount
- Junction Mount
- IP 67 for Watertight Applications
- UL Indoor Rated

High Resolution Lens & Sensor

A Single product suited for 8' to 40' mounting heights, indoor and outdoor, warehouse and office

SPECIFICATIONS

INPUT VOLTAGE: AVI-ON Direct Connect Low Voltage DC Sensor Port
SIZE: 2.30in x 1.43in x 0.75in (58.2mm x 36.4mm x 19mm)
MOUNTING: 8FT - 40 FT
PIR Head (Ceiling or Fixture): 1/2in (18mm)
 Threaded insert size:
 0.80in (20.5mm) x 0.4in (10mm) tall.
Elbow: Connector thread size:
 0.80in (20.5mm) x 0.79in (20mm).
WEIGHT: 1.4oz (40g)

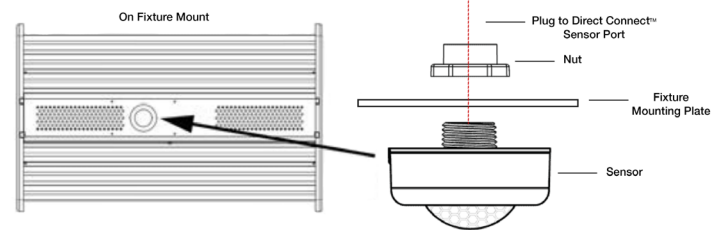
OPERATING TEMP: -22°F to +158°F (-30°C to +70°C)
STORAGE TEMP: -40°F to +185°F (-40°C to +85°C)
OPERATING MODES: Occupancy, Vacancy, UV-C safety, B-Level, dim-to-specified level (never off), schedule driven, control zones
STATUS LED: Motion Detection
DAYLIGHT HARVESTING: Open or closed loop
DAYLIGHTING RANGE: 360° X 90°
WARRANTY: 5 years; 10 years optional
REGULATORY: UL 916
 IP 67 - Sensor Head
 IP 66 - With Elbow Head

*Note: Operating controller at or above these levels may result in damage to components/product

WIRING DIAGRAM



MOUNTING DIAGRAM



FEATURE

- **Installation:** Factory or Field Install End Mount to Fixture
- **Commissioning:** Wirelessly through ALS Control Mobile App (iOS / Android)
- **Certification:** DLC 5.1 Networked Lighting Control System
- **Control:** Hold time, High-Low setting, continuous Bi-level dimming, Code-compliant manual-on or auto-off capability
- **Sensor:** Motion (Occupancy/Vacancy/Manual) and Daylight Harvesting
- **Room and Zone Control:** Zoning and Grouping control, Scheduling

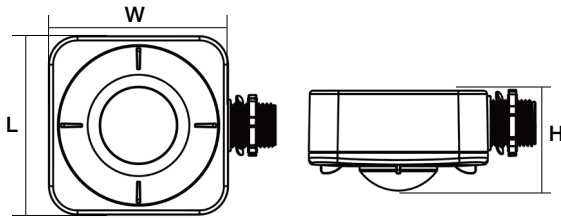


SPECIFICATIONS

SENSOR TYPE: Passive Infrared Sensor (PIR)
WIRELESS STANDARDS: Bluetooth SIG Mesh
INPUT VOLTAGE: 120/277VAC
CONTROL OUTPUT: 0-10V
OPERATING TEMP: -40°F ~ +167°F (-40°C ~ +75°C)

COMMISSIONING RANGE: 50FT
BLUETOOTH RANGE: Intergral antenna up to 100FT
DETECTION ANGLE: Vertical 90° x Horizontal 360°
MOUNTING HEIGHT: 8 - 40FT
WARRANTY: 5 years
IP RATING: IP20 Damp

DIMENSIONS



L	W	H
3.19" (81mm)	4.02" (102mm)	1.70" (43.3mm)

COVERAGE PATTERNS

