



## SPM SERIES SPORTS LIGHT

Client:  
Project:  
Type:  
Quantity:

### CONSTRUCTION

Sealed die casting body, low profile 3G vibration rated impact design. Driver enclosure is completely sealed against moisture and environmental contaminants. Low wind-load design, light weight, EPA friendly.

### OPTICS

Available in NEMA 4H x 4V distribution, optics are precisely designed to shape the distribution, maximizing efficiency and maintain high light level for various sports field application.

Light engines available in 5000K (70+ CRI) configurations. Scalable lumen package from 50,000 to 117,700 lumens.

### ELECTRICAL

-40°C minimum to +55°C (-40°F to 131°F) maximum operating temperature. RoHS compliant electronic Class I drivers expected life of 150,000 hours. >.9 power factor, <20% total harmonic distortion, built-in 10kV surge protector. Optional 1-10V dimmable driver, Zigbee wireless control module.

### SENSOR (OPTIONAL)

CONTROL-AVI-LVFA AVI-ON Bluetooth Mesh Controller.

### MOUNTING

Robust designed yoke mount secured with 3/4" bolt, versatile mounting bracket designed for ease of installation and offers precise horizontal and vertical aiming capability.

### STANDARD FINISH

Black UV stabilized polyester powder paint finish.

### CERTIFICATION

Wet location label standard.  
Meets Buy America Act requirements.  
All luminaires are built to UL1598 standards and bear appropriate cULus labels.  
DLC® Premium (DesignLights Consortium Qualified)

### WARRANTY

5 year warranty, see Limited Warranty for additional information.  
Option for 10 year warranty, see "Options" on Pg 2.



### SHIPPING DATA

Product	Measurement	Weight
SPM-500 / 600	30"L x 20"W x 22"H	65 lb
SPM-850	30"L x 25"W x 22"H	72 lb



**SPM SERIES SPORTS LIGHT**

**ORDER INFORMATION** **EXAMPLE: SPM 600 40 44 YM BK UD**

Fixture	Series	Power & LM	CCT	Distribution	Mounting	Finish	Input
	<b>SPM</b>			<b>44</b>	<b>YM</b>	<b>BK</b>	

Accessories  
Options

**A SERIES**

SPM Sports Light

**B POWER & LM**

CODE	POWER	LPW (AVG.)
500	500W, 70168lm	139
600	600W, 86876lm	145
850	850W, 117690lm	139

**C CCT**

40	4000K - made to order, consult factory
50	5000K

**D DISTRIBUTION**

44 NEMA 4H x 4V

**E MOUNTING**

YM Yoke Mount

**F FINISH**

BK Black Finish

**G INPUT**

UD	110-277V input, 1-10V Dimming (Standard for 500W)
HD	347-480V input, 1-10V Dimming (Standard for 600W & 850W)

**H ACCESSORIES/OPTIONS**

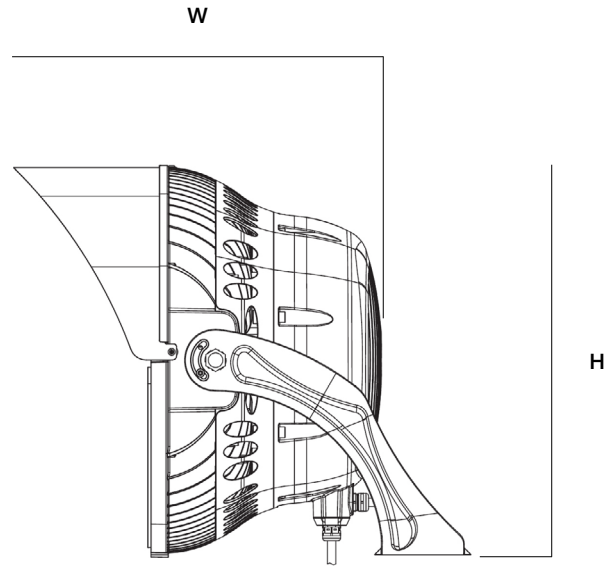
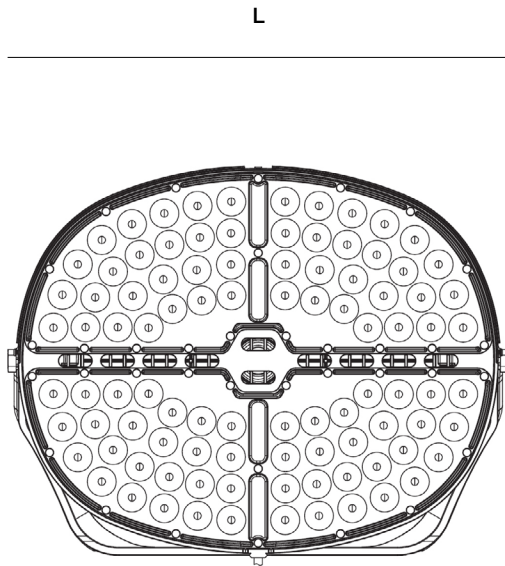
blank	Aiming Laser included with fixture
AIA	Assembled in America, compliant with BAA (COTS)
X	10-year Warranty
MOUNT-SPM-SF	Yoke mount to Slipfitter Adapter
MOUNT-SPM-SBM	Square Beam Bracket
SURGE-LSP4-H	10kV inline Surge Protection for Universal input 480V
CONTROL-LVFA*	AVI-ON Bluetooth Mesh Control System

\*see page 5 for sensor spec

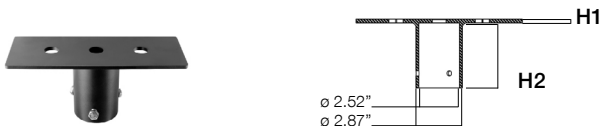
**SPM SERIES SPORTS LIGHT**

**DIMENSIONS**

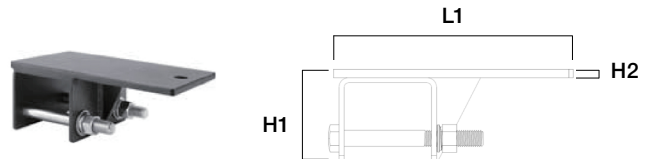
Model	L	W	H
500W / 600W	20.60" (523mm)	15.20" (386mm)	16.30" (414mm)
850W	23.80" (606mm)	17.46" (444mm)	18.50" (467mm)



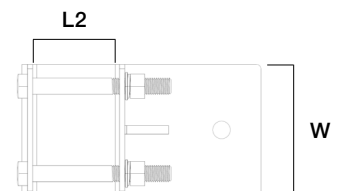
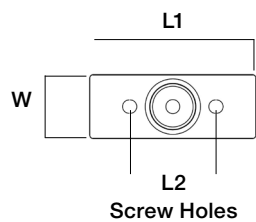
Model	L1	L2	W	H1	H2
MOUNT-SPM-SF	10.31" (262mm)	5.35" (136mm)	3.94" (100mm)	4.25" (108mm)	4.21" (107mm)
MOUNT-SPM-SBM	11.22" (285mm)	4.02" (102mm)	5.98" (152mm)	4.20" (107mm)	0.39" (10mm)



**MOUNT-SPM-SF**



**MOUNT-SPM-SBM**



**SPM SERIES SPORTS LIGHT**

**EPA (ft<sup>2</sup>)**



Mounting	Yoke	Yoke
500W / 600W	2.332	
850W		3.052

**PERFORMANCE DATA**

SYSTEM WATTS	VOLTAGE	DIST. TYPE	4000K		5000K		QTY ON PALLET
			LUMEN	LPW	LUMEN	LPW	
500W	100-277V, 480V	44	68226	135	70168	139	12
600W	100-277V, 480V	44	84652	141	86876	145	12
850W	100-277V, 480V	44	110520	130	117690	139	10

**SPM SERIES SPORTS LIGHT**

**DLC CODE**

Part Number	DLC Part Number	DLC Class
SPM - 600 40 77 - XX BK UD / HD	Product ID: PZGASX40	Premium
SPM - 600 50 77 - XX BK UD / HD	Product ID: PY6OG71T	Premium
SPM - 850 40 77 - XX BK UD / HD	Product ID: PZHR13R9/ PE9S2XV1	Premium
SPM - 850 50 77 - XX BK / HD	Product ID: P6TLOBZP/ P9BE6LCZ	Premium

**SENSOR SPEC**

Model	Type	Mounting	Coverage	Input	Function	Programmable
CONTROL-LVFA (see page 6 for detail)	Fixture Controller	-	-	12V DC	Bluetooth Mesh On/Off/Dimming Scheduling	AVI-ON Bluetooth Mobile App



CONTROL-LVFA

**SPM SERIES SPORTS LIGHT**

**CONTROL-AVI-LVFA SPEC**

**Status LEDs & Config Button**

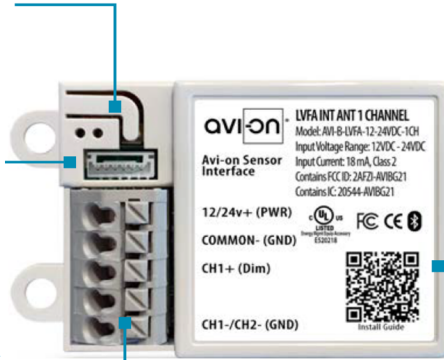
Quick and easy validation of wiring and network

**Direct Connect™ Sensor Port**

Simple and cost-effective addition to Avi-on sensors

**Terminal Blocks & Mounting Tabs**

Faster, easier and lower cost installation eliminating connectors



**Internal Antenna**

Improved performance and eliminates risk of accidentally cutting a hanging wire

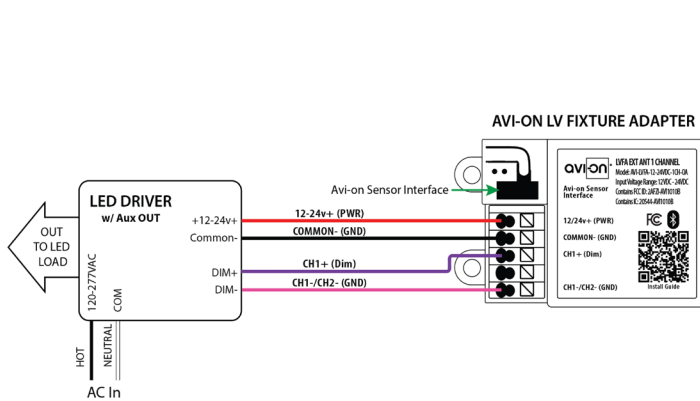
**SPECIFICATIONS**

**INPUT VOLTAGE:** 12-24VDC  
**CURRENT:** 15mA without a Sensor  
 19mA with a DC PIR Sensor  
 48mA with a DC Microwave Sensor  
**0-10V DIMMING:** 12-24VDC  
**SIZE:** 2.30in x 1.43in x 0.75in  
 (58.2mm x 36.4mm x 19mm)  
**MOUNTING:** Removable mounting tabs  
**WEIGHT:** 0.45 oz (16g)  
**OPERATING TEMP:** -22°F to +158°F (-30°C to + 70°C)

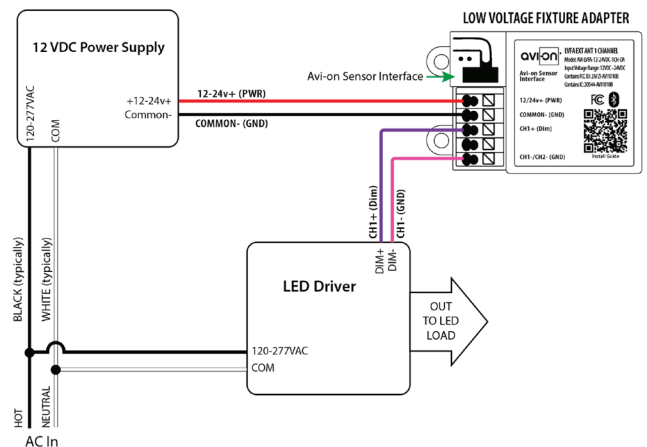
**RADIO FREQUENCY:** 2.4GHz  
**WIRELESS STANDARD:** BLE 4.2 with Mesh  
**POINT TO POINT RANGE\*:** 80ft with obstructions  
 350ft unobstructed  
**SECURITY:** AES 128-bit encryption for device to device communication  
 AES 256-bit encryption for device to cloud communication  
**WARRANTY:** 5 years; 10 years optional  
**REGULATORY:** FCC: 2AFZI-AVI1010 B  
 IC: 20544-AVI1010 B  
 BQB: D031801, DID: 86303  
 UL 916, 2043 (Plenum Rated)

\*When communicating through the mesh, range is essentially unlimited (5000ft+)

**WIRING DIAGRAM**



Fixture adapter powered by LED driver auxiliary output



Fixture adapter connected to LED driver and using power supply