

SPM SERIES G2 SPORTS LIGHT

Client:
 Project:
 Type:
 Quantity:

CONSTRUCTION

Sealed die casting body, low profile 3G vibration rated impact design.
 Driver enclosure suitable for remote mounting, is completely sealed against moisture and environmental contaminants. Low wind-load design, light weight, EPA friendly.

OPTICS

Available in NEMA 3H x 3V and 4H x 4V distribution, optics are precisely designed to shape the distribution, maximizing efficiency and maintain high light level for various sports field application.
 Light engines available in 4000K and 5000K (80+ CRI) configurations.
 Optional: Scalable lumen package from 35,000 to 160,000 lumens.
 Optional: RGB LED (consult factory)

ELECTRICAL

-40°C minimum to +55°C (-40°F to 131°F) maximum operating temperature.
 RoHS compliant electronic Class I drivers expected life of 150,000 hours.
 >.9 power factor, <20% total harmonic distortion, built-in 10kV surge protector.

SENSOR (OPTIONAL)

CONTROL-LVFA AVI-ON Bluetooth Mesh Controller.

MOUNTING

Robust designed yoke mount secured with 3/4" bolt, versatile mounting bracket designed for ease of installation and offers precise horizontal and vertical aiming capability.

STANDARD FINISH

UV stabilized polyester powder paint finish.

CERTIFICATION

Wet location label standard.
 Meets Buy America Act requirements.
 All luminaires are built to UL1598 standards and bear appropriate cULus labels.
 DLC® Premium (DesignLights Consortium Qualified)

WARRANTY

10 year warranty, see Limited Warranty for additional information.



SHIPPING DATA

| Product | Measurement | Weight |
|-------------|--------------------|--------|
| SPM-500-G2 | 30"L x 22"W x 17"H | 55 lb |
| SPM-600-G2 | 30"L x 22"W x 17"H | 55 lb |
| SPM-850-G2 | 35"L x 25"W x 22"H | 64 lb |
| SPM-1200-G2 | 35"L x 25"W x 22"H | 72 lb |



SPM SERIES G2 SPORTS LIGHT

ORDER INFORMATION **EXAMPLE : SPM 500 G2 40 44 YM BK UD**

| | | | | | | | |
|----------------|---------------|-----------------------|------------|---------------------|-----------------|---------------|--------------|
| Fixture | Series | Power & LM | CCT | Distribution | Mounting | Finish | Input |
| | SPM | | | | YM | BK | |

Accessories
Options

A SERIES

SPM Sports Light

B POWER & LM

| CODE | POWER | LUMEN | LPW (AVG.) | CODE | POWER | LUMEN | LPW (AVG.) |
|---------------|-------|--------|------------|----------------|-------|---------|------------|
| 500-G2 | 500W | 72,000 | 140 | 850-G2 | 850W | 120,000 | 141 |
| 600-G2 | 600W | 92,200 | 153 | 1200-G2 | 1200W | 160,000 | 133 |

C CCT

| | | | |
|-----------|-------|------------|--|
| 40 | 4000K | RGB | Red, Green Blue Mixed LED (Made to Order, Consult Factory) |
| 50 | 5000K | | |

D DISTRIBUTION

| | | | |
|-----------|--------------|-----------|--------------|
| 33 | NEMA 3H x 3V | 44 | NEMA 4H x 4V |
|-----------|--------------|-----------|--------------|

E MOUNTING

YM Yoke Mount

F FINISH

BK Black Finish

G INPUT

| | |
|-----------|--|
| UD | 120-277V input, 1-10V Dimming (500W by Default) |
| HD | 200-480V input, 1-10V Dimming (600/850/1200W by Default) |

H ACCESSORIES/OPTIONS

| | |
|------------------------|--|
| blank | Aiming Laser included with fixture |
| blank | 10-year Warranty (Default) |
| AIA | Assembled in America, compliant with BAA (COTS) |
| MOUNT-SPM-SF | Yoke mount to Slipfitter adapter |
| MOUNT-SPM-SBM | Square Beam Bracket |
| SPM-POLE-BOX | Remote Pole Box |
| SURGE-LSP4-H | 480V 10kV Surge Protector only for 500W |
| CONTROL-LVFA* | AVI-ON Bluetooth Mesh Control System |
| CORD-SPM-G2-EXT | 164ft Remote Driver Extension Cord w/Water Tight Quick Connector** |

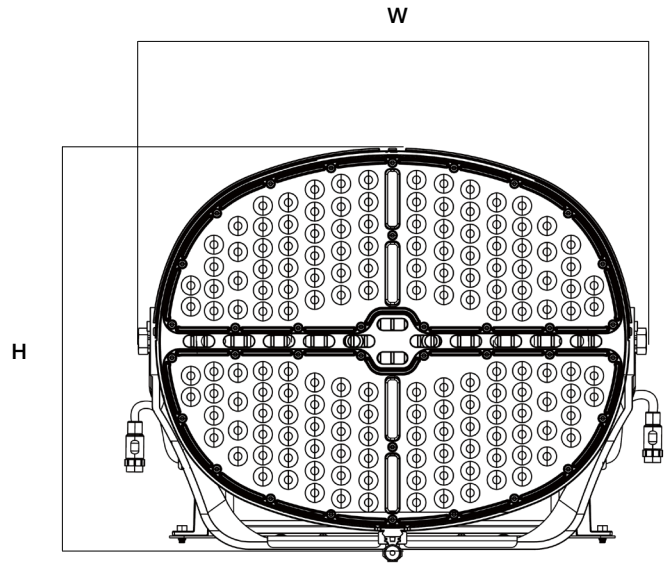
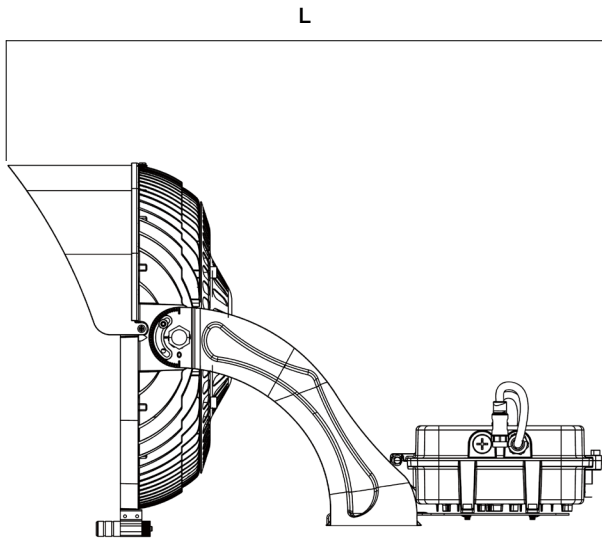
**For Remote Driver application, PART# CORD-SPM-G2-EXT must be used to meet warranty requirement.

*see page 7 for sensor spec

SPM SERIES G2 SPORTS LIGHT

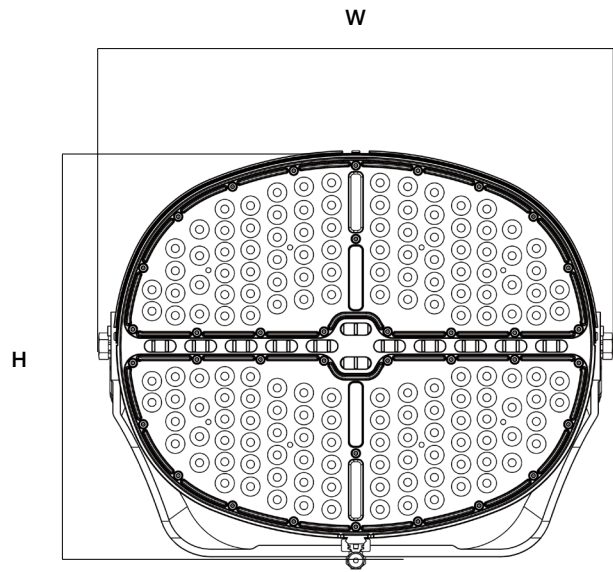
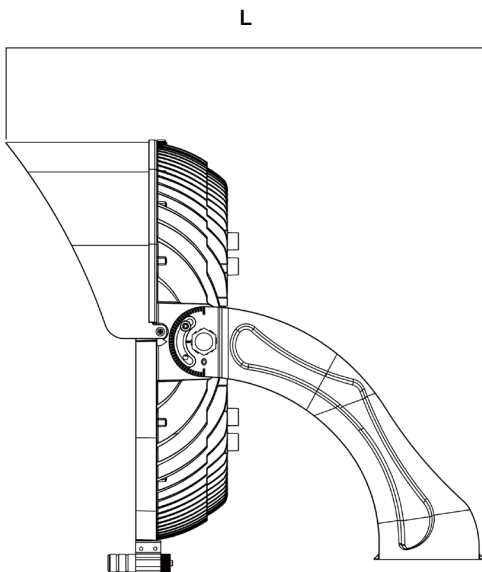
DIMENSIONS (WITH DRIVER ENCLOSURE)

| Model | L | W | H |
|--------------|----------------|----------------|----------------|
| 500W / 600W | 26.90" (684mm) | 20.80" (530mm) | 16.90" (430mm) |
| 850W / 1200W | 29.80" (757mm) | 23.80" (605mm) | 19.70" (500mm) |



DIMENSIONS (REMOTE DRIVER)

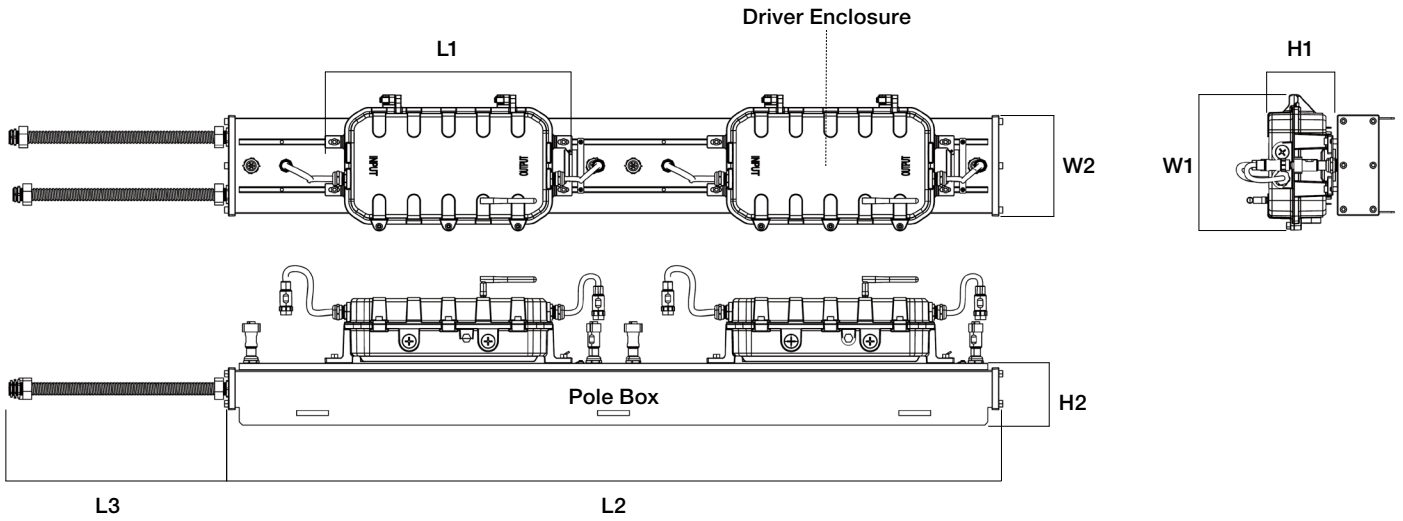
| Model | L | W | H |
|--------------|----------------|----------------|----------------|
| 500W / 600W | 18.80" (477mm) | 20.80" (530mm) | 16.90" (430mm) |
| 850W / 1200W | 21.70" (552mm) | 23.80" (605mm) | 19.70" (500mm) |



SPM SERIES G2 SPORTS LIGHT

DIMENSIONS (REMOTE DRIVER ENCLOSURE)

| Model | L1 | W1 | H1 | L2 | W2 | H2 | L3 |
|-----------------------------------|----------------|---------------|---------------|-----------------|---------------|--------------|-----------------|
| Driver Enclosure for 500W / 600W | 15.30" (388mm) | 8.40" (214mm) | 4.10" (103mm) | - | - | - | - |
| Driver Enclosure for 850W / 1200W | 18.50" (470mm) | 9.60" (244mm) | 4.10" (103mm) | - | - | - | - |
| Pole Box | - | - | - | 47.70" (1211mm) | 6.20" (158mm) | 3.80" (97mm) | 47.20" (1200mm) |



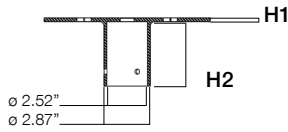
SPM SERIES G2 SPORTS LIGHT

DIMENSIONS (MOUNT)

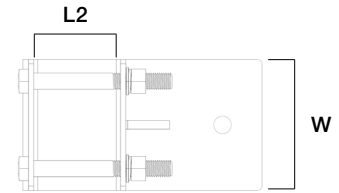
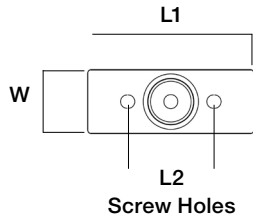
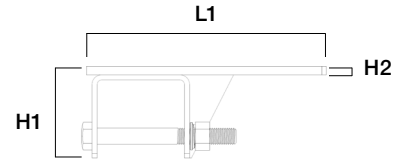
| Model | L1 | L2 | W | H1 | H2 |
|---------------|----------------|---------------|---------------|---------------|---------------|
| MOUNT-SPM-SF | 10.31" (262mm) | 5.35" (136mm) | 3.94" (100mm) | 4.25" (108mm) | 4.21" (107mm) |
| MOUNT-SPM-SBM | 11.22" (285mm) | 4.02" (102mm) | 5.98" (152mm) | 4.20" (107mm) | 0.39" (10mm) |



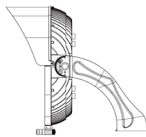
MOUNT-SPM-SF



MOUNT-SPM-SBM



EPA (ft²)



| Mounting | Yoke |
|--------------|-------|
| 500W / 600W | 1.891 |
| 850W / 1200W | 2.547 |

SPM SERIES G2 SPORTS LIGHT

PERFORMANCE DATA

| SYSTEM WATTS | VOLTAGE | DIST. TYPE | 4000K | | 5000K | |
|--------------|----------------|------------|--------|-----|--------|-----|
| | | | LUMEN | LPW | LUMEN | LPW |
| 500W | 100-277V, 480V | 33 | 73247 | 146 | 73051 | 146 |
| | 100-277V, 480V | 44 | 72275 | 145 | 73113 | 146 |
| 600W | 100-277V, 480V | 33 | 92352 | 154 | 92562 | 154 |
| | 100-277V, 480V | 44 | 92378 | 154 | 92688 | 154 |
| 850W | 100-277V, 480V | 33 | 122485 | 144 | 122076 | 144 |
| | 100-277V, 480V | 44 | 122344 | 144 | 121679 | 143 |
| 1200W | 100-277V, 480V | 33 | 162090 | 135 | 162363 | 135 |
| | 100-277V, 480V | 44 | 161952 | 135 | 161272 | 134 |

DLC CODE

| Part Number | DLC Part Number | DLC Class |
|-------------------------------------|-----------------|-----------|
| SPM - 500-G2 40 33 - XX BK UD / HD | Pending | Premium |
| SPM - 500-G2 50 33 - XX BK UD / HD | Pending | Premium |
| SPM - 500-G2 40 44 - XX BK UD / HD | Pending | Premium |
| SPM - 500-G2 50 44 - XX BK UD / HD | Pending | Premium |
| SPM - 600-G2 40 33 - XX BK UD / HD | Pending | Premium |
| SPM - 600-G2 50 33 - XX BK UD / HD | Pending | Premium |
| SPM - 600-G2 40 44 - XX BK UD / HD | Pending | Premium |
| SPM - 600-G2 50 44 - XX BK UD / HD | Pending | Premium |
| SPM - 850-G2 40 33 - XX BK UD / HD | Pending | Premium |
| SPM - 850-G2 50 33 - XX BK UD / HD | Pending | Premium |
| SPM - 850-G2 40 44 - XX BK UD / HD | Pending | Premium |
| SPM - 850-G2 50 44 - XX BK UD / HD | Pending | Premium |
| SPM - 1200-G2 40 33 - XX BK UD / HD | Pending | Premium |
| SPM - 1200-G2 50 33 - XX BK UD / HD | Pending | Premium |
| SPM - 1200-G2 40 44 - XX BK UD / HD | Pending | Premium |
| SPM - 1200-G2 50 44 - XX BK UD / HD | Pending | Premium |

SPM SERIES G2 SPORTS LIGHT

SENSOR SPEC

| Model | Type | Mounting | Coverage | Input | Function | Programmable |
|---|-----------------------|----------|----------|--------|--|-----------------------------------|
| CONTROL-LVFA (see page 8 for detail) | Fixture Controller | - | - | 12V DC | Bluetooth Mesh On/Off/Dimming Scheduling | AVI-ON Bluetooth Mobile App |



CONTROL-LVFA

SPM SERIES G2 SPORTS LIGHT

CONTROL-LVFA SPEC

Status LEDs & Config Button

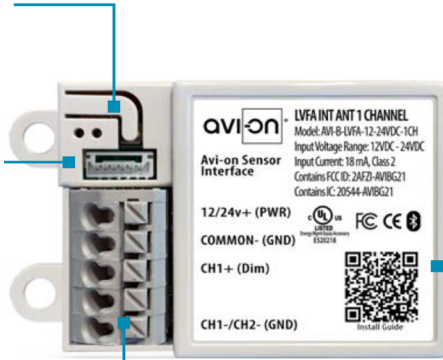
Quick and easy validation of wiring and network

Direct Connect™ Sensor Port

Simple and cost-effective addition to Avi-on sensors

Terminal Blocks & Mounting Tabs

Faster, easier and lower cost installation eliminating connectors



Internal Antenna

Improved performance and eliminates risk of accidentally cutting a hanging wire

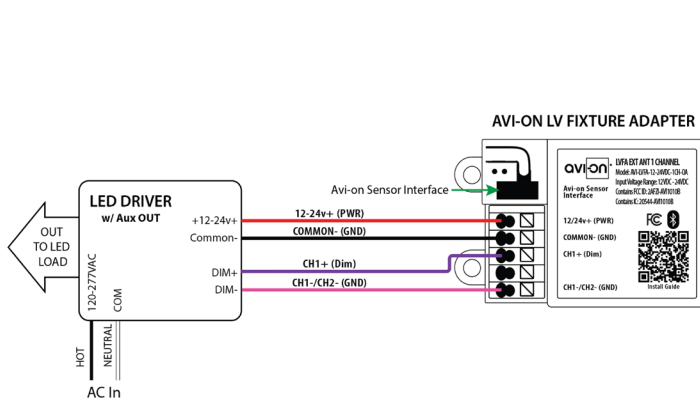
SPECIFICATIONS

INPUT VOLTAGE: 12-24VDC
CURRENT: 15mA without a Sensor
 19mA with a DC PIR Sensor
 48mA with a DC Microwave Sensor
0-10V DIMMING: 12-24VDC
SIZE: 2.30in x 1.43in x 0.75in
 (58.2mm x 36.4mm x 19mm)
MOUNTING: Removable mounting tabs
WEIGHT: 0.45 oz (16g)
OPERATING TEMP: -22°F to +158°F (-30°C to + 70°C)

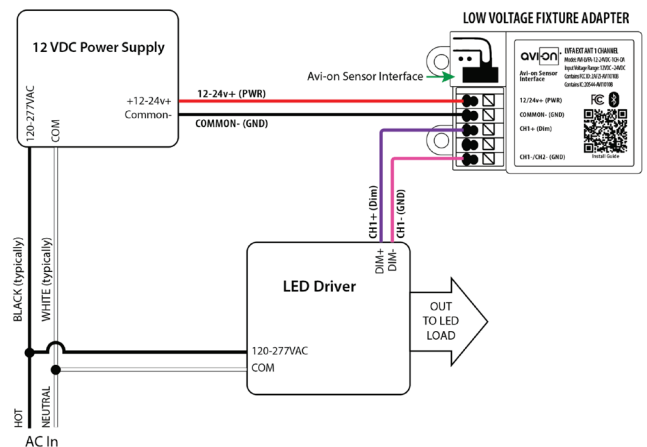
RADIO FREQUENCY: 2.4GHz
WIRELESS STANDARD: BLE 4.2 with Mesh
POINT TO POINT RANGE*: 80ft with obstructions
 350ft unobstructed
SECURITY: AES 128-bit encryption for device to device communication
 AES 256-bit encryption for device to cloud communication
WARRANTY: 5 years; 10 years optional
REGULATORY: FCC: 2AFZI-AVI1010 B
 IC: 20544-AVI1010 B
 BQB: D031801, DID: 86303
 UL 916, 2043 (Plenum Rated)

*When communicating through the mesh, range is essentially unlimited (5000ft+)

WIRING DIAGRAM



Fixture adapter powered by LED driver auxiliary output



Fixture adapter connected to LED driver and using power supply