



## AL8A SERIES AREA LIGHT

Client:  
Project:  
Type:  
Quantity:

### CONSTRUCTION

Rugged die-cast aluminum housing with hinged, die-cast aluminum door.  
Low profile, 3G vibration rated compact design minimizes wind load requirements.  
Driver enclosure cover opens downwards, completely sealed against moisture and dusty.

### OPTICS

UV-resistant polycarbonate optics, available in Type II, III, IV, V distributions.  
Full cutoff when mounted with non-adjustable SR Mount or at 0 degrees tilt with adjustable Slipfitter or Trunnion Mount. Optics is precisely designed to shape the distribution, maximizing efficiency and application spacing.

### ELECTRICAL

70 CRI Lumileds LED.  
Field Selectable Lumen / CCT Technology.  
-40°C up to 50°C (-40°F up to 122°F) maximum ambient temperature.  
Long-life 100,000 hr LED at L70 @ 40°C.  
Driver operates at 120-277V input, 0-10V dimmable driver, down to 10%.  
50/60Hz, <20% THD, 0.9 power factor. Optional 347/480V input. Optional 10kV surge protection. Optional dimming sensor for occupancy and photosensing.

### SENSORS (OPTIONAL)

SENSOR-BLE-6-4T Integral PIR ALS Control bluetooth/on/off/dimming/photosensing.  
SENSOR-ANT-6-4T Plug-N-Play PIR on/off/dimming/photosensing.  
SENSOR-PH-PB-U Integral button style photocell.  
SENSOR-PH-PT-U/UD/HD Twist lock dimming/non-dimming photocontrol.  
CONTROL-LVFA AVI-ON Bluetooth Mesh Controller.

### MOUNTING

Non-adjustable pole mount bracket (SR) suitable for both round and square pole.  
Optional slipfitter for 2-3/8" tenon (SF), non-adjustable wall mount (WM), adjustable trunnion mount (TR) and tilt-able pole mount bracket (SRT).

### STANDARD FINISH

Corrosion resistant Dark Bronze powder coating finish.

### CUSTOM FINISH

Corrosion resistant Black, Graphite Metallic, Gray, Silver, White, Custom RAL#.

### CERTIFICATION

IP65 Wet location label standard.  
Meets Buy America Act requirements.  
IDA compliant: with 3000K color temperature selection.  
Title 24 compliant; see local ordinance for qualification information.  
All luminaires are built to UL1598 standards and bear appropriate cULus labels.  
DLC® Premium (DesignLights Consortium Qualified) listed.

### WARRANTY

5 year warranty, see Limited Warranty for additional information.



100/140/180W w/SR Pole Mount (Fixed)



250/300/400W w/SRT Pole Mount (Tilt)

### SHIPPING DATA

Product	Measurement	Weight
AL8A-100	16"L x 14"W x 3"H	10 lb
AL8A-140	16"L x 14"W x 3"H	10 lb
AL8A-180	16"L x 14"W x 3"H	11 lb
AL8A-250	26"L x 14"W x 3"H	15 lb
AL8A-300	26"L x 14"W x 3"H	16 lb
AL8A-400	26"L x 14"W x 3"H	17 lb



**AL8A SERIES AREA LIGHT**

**ORDER INFORMATION** **EXAMPLE : AL8A 180 SC T3 DB UNVD**

Fixture	Series	Power & LM	CCT	Distribution	Finish	Input
	<b>AL8A</b>		<b>SC</b>			

**A SERIES**

<b>AL8A</b>	Area Light
-------------	------------

**B POWER & LM**

Code	Power	LM*	Efficacy (avg.)*
<b>100</b>	Field Selectable 40 / 60 / 80 / 100W	7,000 / 10,200 / 13,300 / 16,000	175lm/W
<b>140</b>	Field Selectable 60 / 90 / 120 / 140W	10,500 / 15,600 / 20,500 / 23,500	171lm/W
<b>180</b>	Field Selectable 72 / 108 / 144 / 180W	11,800 / 17,300 / 22,800 / 28,000	160lm/W
<b>250</b>	Field Selectable 100 / 150 / 200 / 250W	16,500 / 23,800 / 31,000 / 38,000	158lm/W
<b>300</b>	Field Selectable 120 / 180 / 240 / 300W	20,800 / 29,700 / 38,000 / 46,000	162lm/W

\*LM Value & Efficacy based on 4000K, T5 Distribution

**C CCT**

<b>SC</b>	Field Selectable 3000K / 4000K / 5000K
-----------	--

**D DISTRIBUTION**

<b>T2</b>	Type II	<b>T4</b>	Type IV
<b>T3</b>	Type III	<b>T5</b>	Type V

**E FINISH**

Standard			
<b>DB</b>	Dark Bronze		
Custom Color			
<b>CC</b>	<b>BK</b> Black	<b>GM</b> Graphite Metallic	<b>GR</b> Gray
	<b>SV</b> Silver	<b>WH</b> White	<b>RAL#</b>

**F INPUT**

<b>UNVD</b>	120-277V, 1-10V Dimmable	<b>HVLD</b>	347V, 480V, 1-10V Dimmable
-------------	--------------------------	-------------	----------------------------

**AL8A SERIES AREA LIGHT**

**ORDER INFORMATION (CONTINUED)**

**Mounting**

**Accessories  
Options**

**G MOUNTING**

<b>MOUNT-AL8A-SF</b>	Slipfitter	<b>MOUNT-AL8A-TR</b>	Trunnion Mount
<b>MOUNT-AL8A-SR</b>	Square/Round Pole Non-Adjustable	<b>MOUNT-AL8A-WM</b>	Wall Mount
<b>MOUNT-AL8A-SRT</b>	Square/Round Pole Tilt-able		

**H ACCESSORIES/OPTIONS**

<b>AIA</b>	Assembled in America, compliant with BAA (COTS)
<b>SHIELD-AL8A</b>	Backlight Shield on Lens
<b>SHIELD-AL8A-VISOR-A / B</b>	4-Side Visor, <b>A:</b> 100 ~ 180W, <b>B:</b> 250 ~ 400W
<b>SENSOR-ANT-6-4T*</b>	Integral PIR On/Off/Dimming/Photosensing
<b>SENSOR-BLE-6-4T*</b>	“Plug-N-Play” Integral Bluetooth Daylight Harvesting Sensor (ALS Control Mobile App)
<b>SENSOR-PH-PB-U*</b>	Button Style Photocell
<b>SENSOR-PH-PT-U / UD / HD*</b>	Twist Lock Photocell / <b>U:</b> 120-277V, <b>UD:</b> 120-277V, <b>HD:</b> 480V Input
<b>REMOTE-RC100</b>	Handheld Remote Commissioning Tool for SENSOR-ANT (1 per job)
<b>SURGE-LSP4-U / H</b>	10kV Inline Surge Protection for Universal Input / <b>U:</b> 120-277V, <b>H:</b> 480V Input
<b>CONTROL-LVFA*</b>	AVI-ON Bluetooth Mesh Control System

\*see page 11 for Sensor spec

\*\*see page 10 for Shield spec

**AL8A SERIES AREA LIGHT**

**ORDER INFORMATION** **EXAMPLE : AL8A 400 MC T3 DB UNVD**

Fixture	Series	Power & LM	CCT	Distribution	Finish	Input
	<b>AL8A</b>	<b>400</b>	<b>MC</b>			

**A SERIES**

**AL8A** Area Light

**B POWER & LM**

Code	Power	LM*	Efficacy (avg.)*
<b>400</b>	Field Selectable 300 / 320 / 360 / 400W	47,500 / 51,500 / 56,500 / 61,000	159lm/W

\*LM Value & Efficacy based on 4000K, T5 Distribution

**C CCT**

**MC** Field Selectable 4000K / 5000K

**D DISTRIBUTION**

<b>T2</b>	Type II	<b>T4</b>	Type IV
<b>T3</b>	Type III	<b>T5</b>	Type V

**E FINISH**

Standard

**DB** Dark Bronze

Custom Color

<b>CC</b>	<b>BK</b> Black	<b>GM</b> Graphite Metallic	<b>GR</b> Gray
	<b>SV</b> Silver	<b>WH</b> White	<b>RAL#</b>

**F INPUT**

<b>UNVD</b>	120-277V, 1-10V Dimmable	<b>HVLD</b>	347V, 480V, 1-10V Dimmable
-------------	--------------------------	-------------	----------------------------

**AL8A SERIES AREA LIGHT**

**ORDER INFORMATION (CONTINUED)**

**Mounting**

**Accessories  
Options**

**G MOUNTING**

<b>MOUNT-AL8A-SF</b>	Slipfitter	<b>MOUNT-AL8A-TR</b>	Trunnion Mount
<b>MOUNT-AL8A-SR</b>	Square/Round Pole Non-Adjustable	<b>MOUNT-AL8A-WM</b>	Wall Mount
<b>MOUNT-AL8A-SRT</b>	Square/Round Pole Tilt-able		

**H ACCESSORIES/OPTIONS**

<b>AIA</b>	Assembled in America, compliant with BAA (COTS)
<b>SHIELD-AL8A**</b>	Backlight Shield on Lens
<b>SHIELD-AL8A-VISOR-A / B**</b>	4-Side Visor, <b>A:</b> 100 ~ 180W, <b>B:</b> 250 ~ 400W
<b>SENSOR-ANT-6-4T*</b>	Integral PIR On/Off/Dimming/Photosensing
<b>SENSOR-BLE-6-4T*</b>	“Plug-N-Play” Integral Bluetooth Daylight Harvesting Sensor (ALS Control Mobile App)
<b>SENSOR-PH-PB-U*</b>	Button Style Photocell
<b>SENSOR-PH-PT-U / UD / HD*</b>	Twist Lock Photocell / <b>U:</b> 120-277V, <b>UD:</b> 120-277V, <b>HD:</b> 480V Input
<b>REMOTE-RC100</b>	Handheld Remote Commissioning Tool for SENSOR-ANT (1 per job)
<b>SURGE-LSP4-U / H</b>	10kV Inline Surge Protection for Universal Input / <b>U:</b> 120-277V, <b>H:</b> 480V input
<b>CONTROL-LVFA*</b>	AVI-ON Bluetooth Mesh Control System

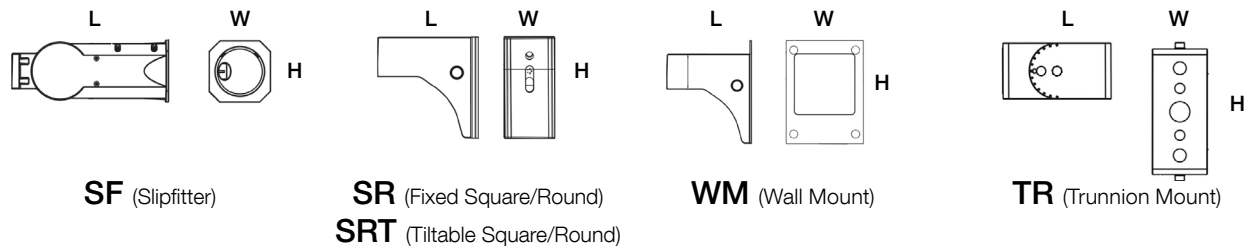
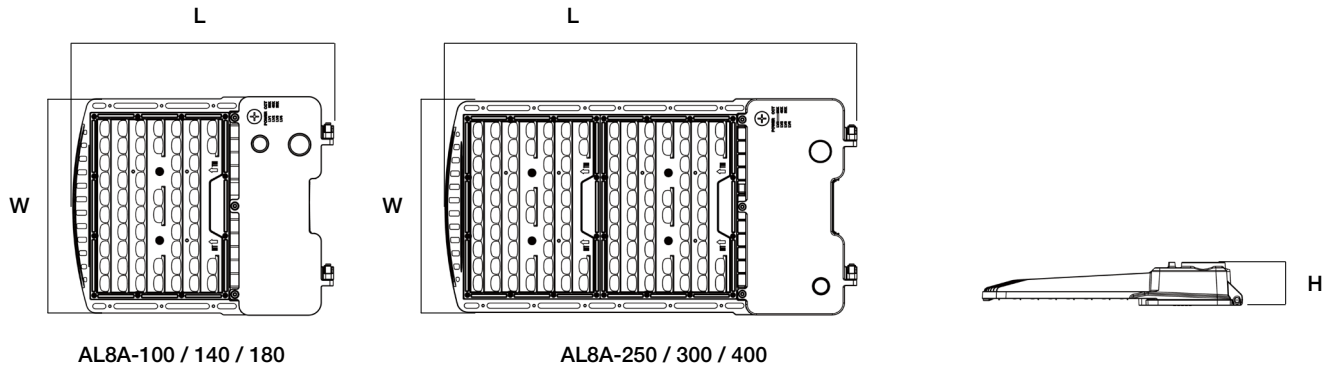
\*see page 11 for Sensor spec

\*\*see page 10 for Shield spec

**AL8A SERIES AREA LIGHT**

**DIMENSIONS**

Model	L	W	H
AL8A-100 / 140 / 180	15.61" (396mm)	13.00" (331mm)	2.05" (52mm)
AL8A-250 / 300 / 400	24.98" (634mm)	13.00" (331mm)	2.46" (62mm)
Bracket - SF	8.47" (215mm)	3.35" (85mm)	3.35" (85mm)
Bracket - SR / SRT	6.95" (176mm)	3.55" (90mm)	6.97" (177mm)
Bracket - WM	6.59" (168mm)	5.98" (152mm)	7.99" (203mm)
Bracket - TR	7.20" (183mm)	7.40" (188mm)	2.87" (73mm)



**EPA (ft<sup>2</sup>)**

Mounting Option	Single	2 @ 90°	2 @ 120°	2 @ 180°	3 @ 90°	3 @ 120°	4 @ 90°
100 / 140 / 180W	0.363	0.685	0.886	0.726	1.048	1.208	1.048
250 / 300 / 400W	0.476	0.809	1.059	0.952	1.285	1.392	1.285

# AL8A SERIES AREA LIGHT

## PERFORMANCE DATA

SYSTEM WATTS	DIST. TYPE	3000K			4000K			5000K		
		LUMEN	LPW	BUG RATING	LUMEN	LPW	BUG RATING	LUMEN	LPW	BUG RATING
AL8A-100 @ 40W	II	6452	160	B2-U0-G2	6872	170	B2-U0-G2	6569	164	B2-U0-G2
	III	6422	160	B2-U0-G1	6836	170	B2-U0-G2	6570	164	B2-U0-G2
	IV	6435	160	B2-U0-G1	6863	170	B2-U0-G1	6566	164	B2-U0-G1
	V	6570	164	B3-U0-G1	7057	175	B3-U0-G1	6764	168	B3-U0-G1
AL8A-100 @ 60W	II	9374	155	B2-U0-G2	10045	167	B3-U0-G2	9652	160	B3-U0-G2
	III	9363	155	B2-U0-G2	10062	167	B2-U0-G2	9685	160	B2-U0-G2
	IV	9366	155	B2-U0-G2	13062	217	B3-U0-G2	9666	160	B2-U0-G2
	V	9646	160	B3-U0-G1	10247	170	B3-U0-G2	9857	164	B3-U0-G2
AL8A-100 @ 80W	II	12094	150	B3-U0-G2	13075	163	B3-U0-G3	12562	156	B3-U0-G2
	III	12056	150	B3-U0-G2	13084	163	B3-U0-G2	12524	156	B3-U0-G2
	IV	12037	150	B3-U0-G2	13062	163	B3-U0-G2	12546	156	B3-U0-G2
	V	12545	156	B3-U0-G2	13354	166	B3-U0-G2	12821	160	B3-U0-G2
AL8A-100 @ 100W	II	14883	145	B3-U0-G3	15880	163	B3-U0-G3	14902	150	B3-U0-G3
	III	15301	154	B3-U0-G3	15600	160	B3-U0-G3	15401	155	B3-U0-G3
	IV	14557	145	B3-U0-G2	15843	158	B3-U0-G2	15066	150	B3-U0-G2
	V	15171	151	B4-U0-G2	16050	160	B4-U0-G2	15643	156	B4-U0-G2
AL8A-140 @ 60W	II	9482	157	B3-U0-G2	10387	172	B3-U0-G2	9777	162	B3-U0-G2
	III	9463	157	B2-U0-G2	10363	172	B2-U0-G2	9782	162	B2-U0-G2
	IV	9447	157	B2-U0-G2	10388	172	B2-U0-G2	9775	162	B2-U0-G2
	V	9618	160	B3-U0-G1	10549	175	B3-U0-G2	10064	167	B3-U0-G2
AL8A-140 @ 90W	II	13863	153	B3-U0-G3	15247	169	B3-U0-G3	14282	158	B3-U0-G3
	III	13812	153	B3-U0-G3	15256	169	B3-U0-G3	14263	158	B3-U0-G3
	IV	13826	154	B3-U0-G2	15274	169	B3-U0-G2	14246	158	B3-U0-G2
	V	14078	156	B4-U0-G2	15613	173	B4-U0-G2	14549	161	B4-U0-G2
AL8A-140 @ 120W	II	18063	150	B3-U0-G3	20089	167	B3-U0-G3	18577	154	B3-U0-G3
	III	18079	150	B3-U0-G3	20123	167	B3-U0-G3	18536	154	B3-U0-G3
	IV	18053	150	B3-U0-G3	20085	167	B3-U0-G3	18521	154	B3-U0-G3
	V	18566	154	B4-U0-G2	20543	171	B4-U0-G2	19049	159	B4-U0-G2
AL8A-140 @ 140W	II	20973	143	B3-U0-G3	23037	165	B3-U0-G3	21247	145	B3-U0-G3
	III	22878	151	B3-U0-G3	22693	157	B3-U0-G3	22908	151	B3-U0-G3
	IV	20639	147	B3-U0-G3	23024	164	B3-U0-G3	21074	150	B3-U0-G3
	V	21047	150	B4-U0-G2	23549	168	B4-U0-G2	21592	154	B4-U0-G2
AL8A-180 @ 72W	II	10592	146	B3-U0-G2	11553	160	B3-U0-G2	10851	150	B3-U0-G2
	III	10566	146	B2-U0-G2	11599	160	B2-U0-G2	10846	150	B2-U0-G2
	IV	10552	146	B2-U0-G2	11572	160	B2-U0-G2	10822	150	B2-U0-G2
	V	10864	150	B3-U0-G2	11849	164	B3-U0-G2	11062	153	B3-U0-G2
AL8A-180 @ 108W	II	15384	142	B3-U0-G3	16884	156	B3-U0-G3	15734	145	B3-U0-G3
	III	15375	142	B3-U0-G3	16892	156	B3-U0-G3	15756	145	B3-U0-G3
	IV	15378	142	B3-U0-G2	16881	156	B3-U0-G2	15727	145	B3-U0-G2
	V	15857	146	B4-U0-G2	17375	160	B4-U0-G2	16252	150	B4-U0-G2
AL8A-180 @ 144W	II	20262	140	B3-U0-G3	22063	153	B3-U0-G3	20653	143	B3-U0-G3
	III	20262	140	B3-U0-G3	22053	153	B3-U0-G3	20645	143	B3-U0-G3
	IV	20256	141	B3-U0-G3	22071	153	B3-U0-G3	20675	143	B3-U0-G3
	V	20826	144	B4-U0-G2	22860	158	B4-U0-G2	21049	146	B4-U0-G2
AL8A-180 @ 180W	II	24593	137	B4-U0-G3	27868	163	B4-U0-G3	25788	142	B4-U0-G3
	III	25473	142	B3-U0-G3	25876	148	B3-U0-G3	26616	148	B3-U0-G3
	IV	24877	138	B3-U0-G3	27084	150	B3-U0-G3	25282	140	B3-U0-G3
	V	25587	142	B4-U0-G2	28092	156	B5-U0-G3	26005	144	B4-U0-G2

**AL8A SERIES AREA LIGHT**

**PERFORMANCE DATA (CONTINUE)**

SYSTEM WATTS	DIST. TYPE	3000K			4000K			5000K		
		LUMEN	LPW	BUG RATING	LUMEN	LPW	BUG RATING	LUMEN	LPW	BUG RATING
AL8A-250 @ 100W	II	14552	145	B3-U0-G3	16053	160	B3-U0-G3	14863	148	B3-U0-G3
	III	14573	145	B3-U0-G3	16047	160	B3-U0-G3	14863	148	B3-U0-G3
	IV	14586	146	B3-U0-G2	16060	160	B3-U0-G2	14852	148	B3-U0-G2
	V	15087	150	B4-U0-G2	16575	165	B4-U0-G2	15572	155	B4-U0-G2
AL8A-250 @ 150W	II	21343	142	B3-U0-G3	23287	155	B3-U0-G3	21842	145	B3-U0-G3
	III	21374	142	B3-U0-G3	23287	155	B3-U0-G3	21848	145	B3-U0-G3
	IV	21362	142	B3-U0-G3	23287	155	B3-U0-G3	21818	145	B3-U0-G3
	V	21865	146	B4-U0-G2	23888	159	B4-U0-G2	22581	150	B4-U0-G2
AL8A-250 @ 200W	II	27599	138	B4-U0-G3	30426	152	B4-U0-G3	28463	142	B4-U0-G3
	III	27599	138	B3-U0-G3	30481	152	B4-U0-G3	28462	142	B4-U0-G3
	IV	27599	138	B3-U0-G3	30458	152	B4-U0-G3	28475	142	B3-U0-G3
	V	28084	140	B5-U0-G3	31072	155	B5-U0-G3	28867	144	B5-U0-G3
AL8A-250 @ 250W	II	36891	148	B4-U0-G4	38157	155	B4-U0-G4	37718	151	B4-U0-G4
	III	35608	147	B4-U0-G4	36118	151	B4-U0-G4	35758	148	B4-U0-G4
	IV	33573	134	B4-U0-G3	37078	148	B4-U0-G4	34582	138	B4-U0-G4
	V	34576	138	B5-U0-G3	38091	152	B5-U0-G3	35565	142	B5-U0-G3
AL8A-300 @ 120W	II	18057	150	B3-U0-G3	20099	167	B3-U0-G3	18556	154	B3-U0-G3
	III	18084	150	B3-U0-G3	20099	167	B3-U0-G3	18571	154	B3-U0-G3
	IV	18064	150	B3-U0-G3	20082	167	B3-U0-G3	18551	154	B3-U0-G3
	V	18562	154	B4-U0-G2	20871	174	B4-U0-G2	19033	158	B4-U0-G2
AL8A-300 @ 180W	II	26027	144	B4-U0-G3	28657	159	B4-U0-G3	26665	148	B4-U0-G3
	III	26025	144	B3-U0-G3	28656	159	B4-U0-G3	26666	148	B3-U0-G3
	IV	26050	145	B3-U0-G3	28672	159	B3-U0-G3	26675	148	B3-U0-G3
	V	26679	148	B4-U0-G2	29747	165	B5-U0-G3	27594	153	B4-U0-G3
AL8A-300 @ 240W	II	33687	140	B4-U0-G4	37062	154	B4-U0-G4	34589	144	B4-U0-G4
	III	33670	140	B4-U0-G4	37072	154	B4-U0-G4	34566	144	B4-U0-G4
	IV	33660	140	B4-U0-G3	37064	154	B4-U0-G4	34589	144	B4-U0-G4
	V	34569	144	B5-U0-G3	38091	159	B5-U0-G3	35577	148	B5-U0-G3
AL8A-300 @ 300W	II	43769	146	B5-U0-G4	48503	165	B5-U0-G4	44702	149	B5-U0-G4
	III	44208	150	B4-U0-G4	44812	152	B4-U0-G4	44723	150	B4-U0-G4
	IV	41099	137	B4-U0-G4	45082	150	B4-U0-G4	42077	140	B4-U0-G4
	V	42598	142	B5-U0-G4	46088	154	B5-U0-G4	43582	145	B5-U0-G4
AL8A-400 @ 300W	II	-	-	-	48566	162	B5-U0-G4	47766	159	B5-U0-G4
	III	-	-	-	48621	162	B5-U0-G4	47826	159	B5-U0-G4
	IV	-	-	-	48613	162	B4-U0-G4	47742	159	B4-U0-G4
	V	-	-	-	49210	164	B5-U0-G4	47993	160	B5-U0-G4
AL8A-400 @ 320W	II	-	-	-	51065	159	B5-U0-G4	50085	156	B5-U0-G4
	III	-	-	-	51052	159	B5-U0-G4	50079	156	B5-U0-G4
	IV	-	-	-	51025	159	B5-U0-G4	50050	156	B5-U0-G4
	V	-	-	-	51550	161	B5-U0-G4	50895	159	B5-U0-G4
AL8A-400 @ 360W	II	-	-	-	56145	156	B5-U0-G4	55183	153	B5-U0-G4
	III	-	-	-	56198	156	B5-U0-G5	55079	153	B5-U0-G5
	IV	-	-	-	56163	156	B5-U0-G5	55083	153	B5-U0-G5
	V	-	-	-	56585	157	B5-U0-G4	55571	154	B5-U0-G4
AL8A-400 @ 400W	II	-	-	-	60535	151	B5-U0-G4	60063	150	B5-U0-G4
	III	-	-	-	60576	151	B5-U0-G5	60073	150	B5-U0-G5
	IV	-	-	-	60563	151	B5-U0-G5	60084	150	B5-U0-G5
	V	-	-	-	61187	153	B5-U0-G4	60858	152	B5-U0-G4



**AL8A SERIES AREA LIGHT**

DLC CODE		
Part Number	DLC Product ID	DLC Class
AL8A-100SCT2-XXUNVD / AL8A-100SCT2-XXHVLD	PENDING	Premium
AL8A-100SCT3-XXUNVD / AL8A-100SCT3-XXHVLD	PENDING	Premium
AL8A-100SCT4-XXUNVD / AL8A-100SCT4-XXHVLD	PENDING	Premium
AL8A-100SCT5-XXUNVD / AL8A-100SCT5-XXHVLD	PENDING	Premium
AL8A-140SCT2-XXUNVD / AL8A-140SCT2-XXHVLD	PENDING	Premium
AL8A-140SCT3-XXUNVD / AL8A-140SCT3-XXHVLD	PENDING	Premium
AL8A-140SCT4-XXUNVD / AL8A-140SCT4-XXHVLD	PENDING	Premium
AL8A-140SCT5-XXUNVD / AL8A-140SCT5-XXHVLD	PENDING	Premium
AL8A-180SCT2-XXUNVD / AL8A-180SCT2-XXHVLD	S-TPXWZS	Premium
AL8A-180SCT3-XXUNVD / AL8A-180SCT3-XXHVLD	S-7D66LP	Premium
AL8A-180SCT4-XXUNVD / AL8A-180SCT4-XXHVLD	S-ZZ6VTX	Premium
AL8A-180SCT5-XXUNVD / AL8A-180SCT5-XXHVLD	S-FX5XD	Premium
AL8A-250SCT2-XXUNVD / AL8A-250SCT2-XXHVLD	S-YZTKRR	Premium
AL8A-250SCT3-XXUNVD / AL8A-250SCT3-XXHVLD	S-C5MP66	Premium
AL8A-250SCT4-XXUNVD / AL8A-250SCT4-XXHVLD	S-7H4J72	Premium
AL8A-250SCT5-XXUNVD / AL8A-250SCT5-XXHVLD	S-62ZTD4	Premium
AL8A-300SCT2-XXUNVD / AL8A-300SCT2-XXHVLD	S-RHD989	Premium
AL8A-300SCT3-XXUNVD / AL8A-300SCT3-XXHVLD	S-ZXDC45	Premium
AL8A-300SCT4-XXUNVD / AL8A-300SCT4-XXHVLD	S-HZWGQ2	Premium
AL8A-300SCT5-XXUNVD / AL8A-300SCT5-XXHVLD	S-CGCKR3	Premium
AL8A-400SCT2-XXUNVD / AL8A-400SCT2-XXHVLD	S-DKNTNR	Premium
AL8A-400SCT3-XXUNVD / AL8A-400SCT3-XXHVLD	S-YTDGB7	Premium
AL8A-400SCT4-XXUNVD / AL8A-400SCT4-XXHVLD	S-4ZXVKS	Premium
AL8A-400SCT5-XXUNVD / AL8A-400SCT5-XXHVLD	S-P5W4GY	Premium

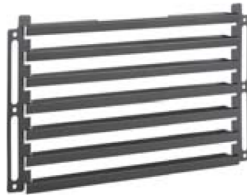
**AL8A SERIES AREA LIGHT**

**SHIELD SPEC**

**SHIELD-AL8A**

Backlight Shield on Lens

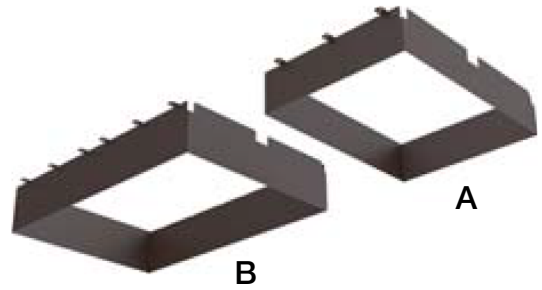
AL8A-100 ~ 180W 1:1  
AL8A-250 ~ 400W 2:1



**SHIELD-AL8A-VISOR**

4-Side Metal Visor

**A:** AL8A-100 ~ 180W 1:1  
**B:** AL8A-250 ~ 400W 1:1



**AL8A SERIES AREA LIGHT**

**SENSOR SPEC**

Model	Type	Mounting	Coverage	Input	Function	Programmable
SENSOR-ANT-6-4T	PIR	up to 40FT	30FT radius	12V DC	On/Off/Dimming	REMOTE-RC100
SENSOR-BLE-6-4T (see page 13 for detail)	PIR	up to 40FT	30FT radius	12V DC	Bluetooth Mesh On/Off/Dimming Daylight Harvesting	ALS Control Bluetooth Mobile App
SENSOR-PH-PB-U	-	-	-	Universal	Dusk-to-Dawn Control	-
SENSOR-PH-PT-U				Universal		
SENSOR-PH-PT-UD				277 ~ 480V	Dusk-to-Dawn Control	-
SENSOR-PH-PT-HD						
CONTROL-LVFA (see page 12 for detail)	Fixture Controller	-	-	12V DC	Bluetooth Mesh On/Off/Dimming Scheduling	AVI-ON Bluetooth Mobile App



SENSOR-ANT-6-4T  
 SENSOR-BLE-6-4T



SENSOR-PH-PB-U



SENSOR-PH-PT-U/H



SENSOR-PH-PT-HD



CONTROL-LVFA

**AL8A SERIES AREA LIGHT**

**CONTROL-LVFA SPEC**

**Status LEDs & Config Button**

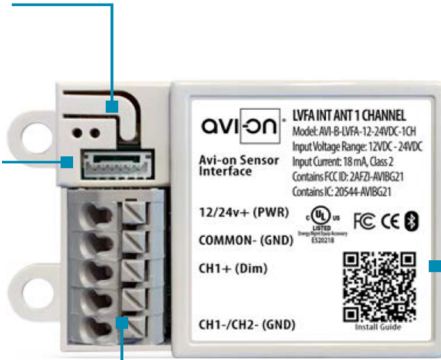
Quick and easy validation of wiring and network

**Direct Connect™ Sensor Port**

Simple and cost-effective addition to Avi-on sensors

**Terminal Blocks & Mounting Tabs**

Faster, easier and lower cost installation eliminating connectors



**Internal Antenna**

Improved performance and eliminates risk of accidentally cutting a hanging wire

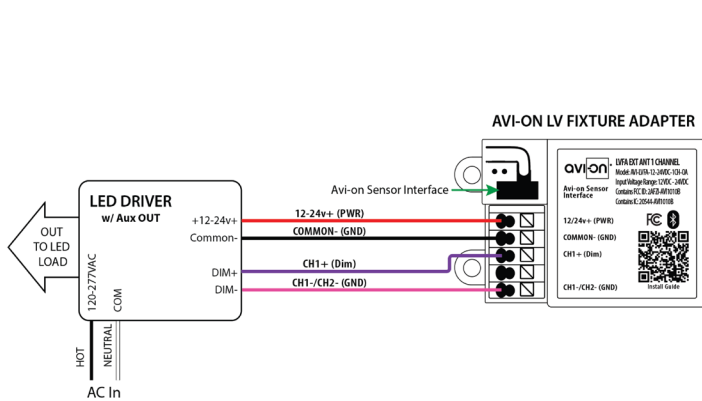
**SPECIFICATIONS**

**INPUT VOLTAGE:** 12-24VDC  
**CURRENT:** 15mA without a Sensor  
 19mA with a DC PIR Sensor  
 48mA with a DC Microwave Sensor  
**0-10V DIMMING:** 12-24VDC  
**SIZE:** 2.30in x 1.43in x 0.75in  
 (58.2mm x 36.4mm x 19mm)  
**MOUNTING:** Removable mounting tabs  
**WEIGHT:** 0.45 oz (16g)  
**OPERATING TEMP:** -22°F to +158°F (-30°C to + 70°C)

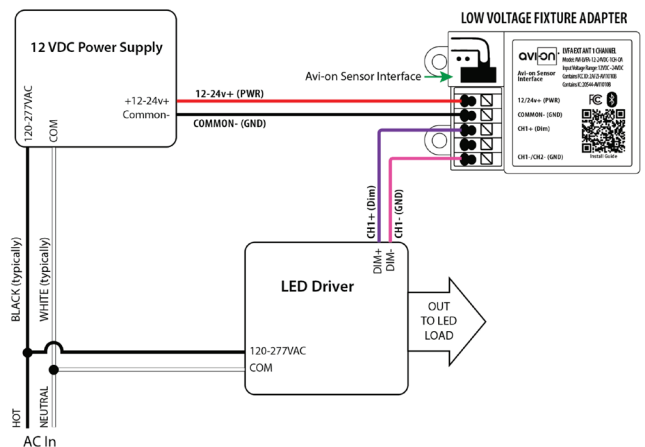
**RADIO FREQUENCY:** 2.4GHz  
**WIRELESS STANDARD:** BLE 4.2 with Mesh  
**POINT TO POINT RANGE\*:** 80ft with obstructions  
 350ft unobstructed  
**SECURITY:** AES 128-bit encryption for device to device communication  
 AES 256-bit encryption for device to cloud communication  
**WARRANTY:** 5 years; 10 years optional  
**REGULATORY:** FCC: 2AFZI-AVI1010 B  
 IC: 20544-AVI1010 B  
 BQB: D031801, DID: 86303  
 UL 916, 2043 (Plenum Rated)

\*When communicating through the mesh, range is essentially unlimited (5000ft+)

**WIRING DIAGRAM**



Fixture adapter powered by LED driver auxiliary output



Fixture adapter connected to LED driver and using power supply

**FEATURE**

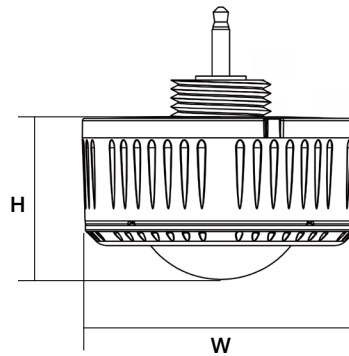
- **Installation:** Plug-N-Play via AUX socket on attached fixture
- **Commissioning:** Wirelessly through ALS Control Mobile App (iOS / Android)
- **Certification:** DLC 5.1 Networked Lighting Control System
- **Control:** Hold time, High-Low setting, continuous Bi-level dimming, Code-compliant manual-on or auto-off capability
- **Sensor:** Motion (Occupancy/Vacancy/Manual) and Daylight Harvesting
- **Room and Zone Control:** Zoning and Grouping control, Scheduling



**SPECIFICATIONS**

<b>SENSOR TYPE:</b>	Passive Infrared Sensor (PIR)
<b>WIRELESS STANDARDS:</b>	5.0 Bluetooth Mesh
<b>INPUT VOLTAGE:</b>	12-24VDC, >50mA
<b>CONTROL OUTPUT:</b>	0-10V
<b>OPERATING TEMP:</b>	-4°F ~ +140°F (-20°C ~ +60°C)
<b>COMMISSIONING RANGE:</b>	50FT
<b>BLUETOOTH RANGE:</b>	164FT
<b>DETECTION ANGLE:</b>	360°
<b>MOUNTING HEIGHT:</b>	Up to 40FT
<b>WARRANTY:</b>	5 years
<b>IP RATING:</b>	IP65

**DIMENSIONS**



H	W
1.03" (26.2mm)	2.17" (55mm)

**COVERAGE PATTERNS**

