



ALV SERIES AREA LIGHT

Client:
Project:
Type:
Quantity:

CONSTRUCTION

The sleek design single-piece die-cast AD12 aluminum housing has integral heat sink fins maximizing thermal management through conductive and convective cooling. The LED driver is mounted in direct contact with the housing for effective heat dissipation to promote low operating temp and long life. Housing is completely sealed against moisture and environmental contaminants (IP65). Ultra-low EPA rating.

OPTICS (ROTATABLE)

UV-resistant acrylic optics, available in Type II, III, IV, V distributions. Silicone gasket ensures a weather-proof seal around each individual optics. Optics rotatable (90° increment) and interchangeable. Full cutoff (U0) when mounted with non-adjustable pole mount (SR) or 0 degree tilt with adjustable Slipfitter (SF), meets Dark Sky requirement. Optional backlight cover for optics available.

ELECTRICAL

80+ CRI Samsung LED.
-40°C up to 50°C (-40°F up to 122°F) maximum operating temperature.
Long-life greater than 100,000 hr at L80.
Standard driver operates at 120-277V input, 0-10V dimmable driver, down to 10%.
50/60Hz, <20% THD, 0.9 power factor.
Standard 10kV surge protection included. Optional 347/480V input.

SENSORS (OPTIONAL)

SENSOR-BLE-619 Integral PIR ALS Control bluetooth/on/off/dimming/photosensing.
SENSOR-823 Integral PIR on/off/dimming/photosensing.
SENSOR-820 Integral PIR on/off/dimming/photosensing.
SENSOR-PH-PB-U Integral button style photocell.
SENSOR-PH-PT-U/UD/HD Twist lock dimming/non-dimming photocontrol.
CONTROL-LVFA AVI-ON Bluetooth Mesh Controller.

MOUNTING

3G rated (SR) mount allows lightning fast installation of ALS luminaires onto square or round pole application seamlessly. Optional adjustable slipfitter (SF) for 2-3/8" tenon, adjustable yoke mount (YM), and non-adjustable wall mount bracket (WM).

STANDARD FINISH

Corrosion resistant Dark Bronze powder coating finish.

CUSTOM FINISH

Corrosion resistant Black, Graphite Metallic, Gray, Silver, White, Custom RAL#.

CERTIFICATION

IP65 Wet location label standard.
Meets Buy America Act requirements.
Option for "BABAA" compliance upon request.
IDA compliant: with 3000K color temperature selection.
All luminaires are built to UL1598 standards and bear appropriate cETLus labels.
DLC® Premium (DesignLights Consortium Qualified).

WARRANTY

5 year warranty, see Limited Warranty for additional information.



Pole Mount



Standard Housing



Hi-Lumen Housing

OVERVIEW

Lumen Package	7,000 - 66,000
Wattage	40 - 450
CRI	80+
Efficacy Range (LPW)	145-180 (AVG.)
Life Expectancy (hr)	>100,000
Weights lbs (kg)	22 (9.9) / 30 (13.6)
Quick Ship	Yes



ALV SERIES AREA LIGHT

ORDER INFORMATION **EXAMPLE : ALV 100 40 T3 DB UNVD**

Fixture	Series	Power & LM	CCT	Distribution	Finish	Input
---------	--------	------------	-----	--------------	--------	-------

ALV

A SERIES

ALV ALV Series Architectural Area Light

B POWER & LM* *Custom Lumen Package per request - consult factory

STANDARD HOUSING - DUAL-BOARD

HI-LUMEN HOUSING - QUAD-BOARD

Code	Power & LM	LPW	Code	Power & LM	LPW
40	40W, 7,000lm	180	250	250W, 40,000lm	162
60	60W, 10,000lm	172	300	300W, 47,000lm	157
75	75W, 13,250lm	172	320	320W, 49,000lm	157
100	100W, 16,000lm	170	400	400W, 60,000lm	148
150	150W, 24,000lm	159	420	420W, 62,000lm	148
200	200W, 30,000lm	150	425	425W, 63,000lm	148
225	225W, 33,000lm	147	450	450W, 66,000lm	145

C CCT

30	3000K	50	5000K
40	4000K		

D DISTRIBUTION

T2	Type II	T4	Type IV
T3	Type III	T5	Type V
Optics Rotation			
LL	Optics rotate 90° Left	RR	Optics rotate 90° Right

E FINISH

Standard

DB	Dark Bronze		
Custom Color			
CC	BK Black	GM Graphite Metallic	GR Gray
	SV Silver	WH White	RAL#

F INPUT

UNVD	120-277V, 0-10V Dimmable	HVLD	347V, 480V, 0-10V Dimmable
-------------	--------------------------	-------------	----------------------------

ORDER INFORMATION (CONTINUED)

Mounting

**Accessories
Options**

G MOUNTING

MOUNT-ALV-SF	Adjustable Slipfitter	MOUNT-ALV-SR	Non-adjustable Square/Round Pole Mount
MOUNT-ALV-WM	Non-adjustable Wall Mount	MOUNT-ALV-YM	Adjustable Yoke Mount

H ACCESSORIES/OPTIONS

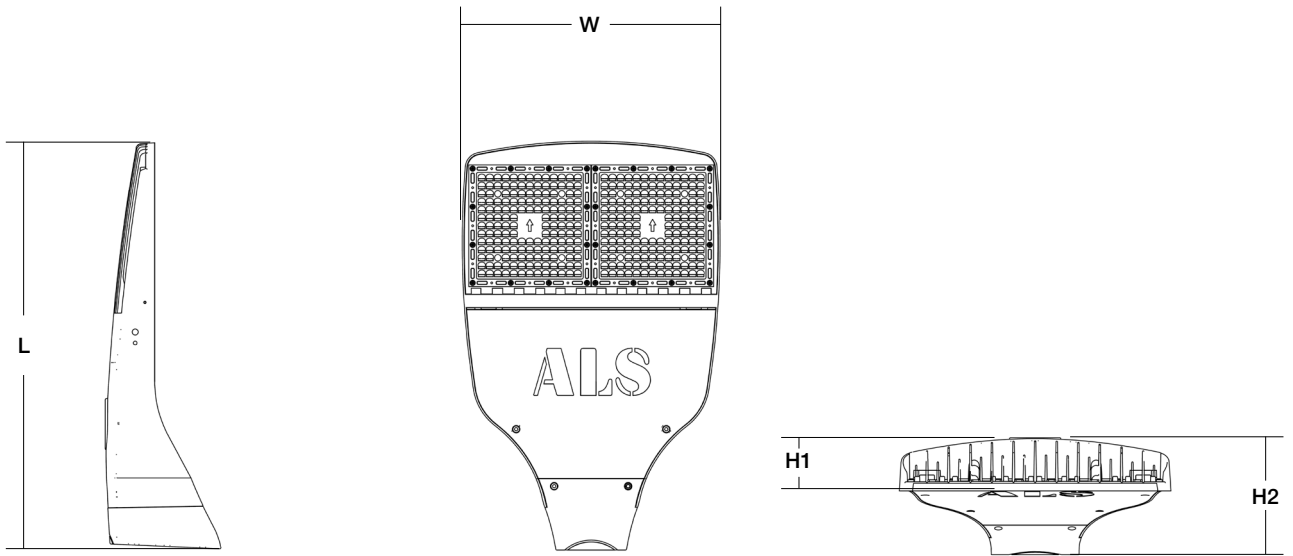
AIA	Assembled in America, compliant with BAA (COTS)
BABAA	Build America, Buy America Act (BABAA) Compliant / Made with Hi-Lumen Housing Only
FAD	Customized Output (Consult Factory)
SHIELD-ALV	Backlight Control on Lens (Standard Housing 2:1) (Hi-Lumen Housing 4:1)
SHIELD-ALV-150	Standard Housing Metal House-Side Shield on fixture, matching fixture finish color (1:1)
SHEILD-ALV-450	Hi-Lumen Housing Metal House-Side Shield on fixture, matching fixture finish color (1:1)
VISOR-ALV-150	Standard Housing Metal 4-Side Visor on fixture, matching fixture finish color (1:1)
VISOR-ALV-450	Hi-Lumen Housing Metal 4-Side Visor on fixture, matching fixture finish color (1:1)
SENSOR-BLE-619-L3 / L4*	Integral PIR Bluetooth Daylight Sensor (ALS Control Mobile App) / L3: up to 40FT, L4: up to 8FT
SENSOR-PH-PB-U*	Button Style Photocell
SENSOR-PH-PT-U / UD / HD*	Twist Lock Photocell / U: 120-277V, UD: 120-277V, HD: 480V input
SENSOR-823-L3 / L4*	Integral PIR on/off/dimming/photosensing / L3: up to 40FT, L4: up to 8FT
SENSOR-820*	Integral PIR on/off/dimming/photosensing
REMOTE-RC100	Handheld Remote Commissioning Tool for SENSOR-ANT, 823, 820 Series
CONTROL-LVFA*	AVI-ON Bluetooth Mesh Control System

*see page 11 for sensor spec

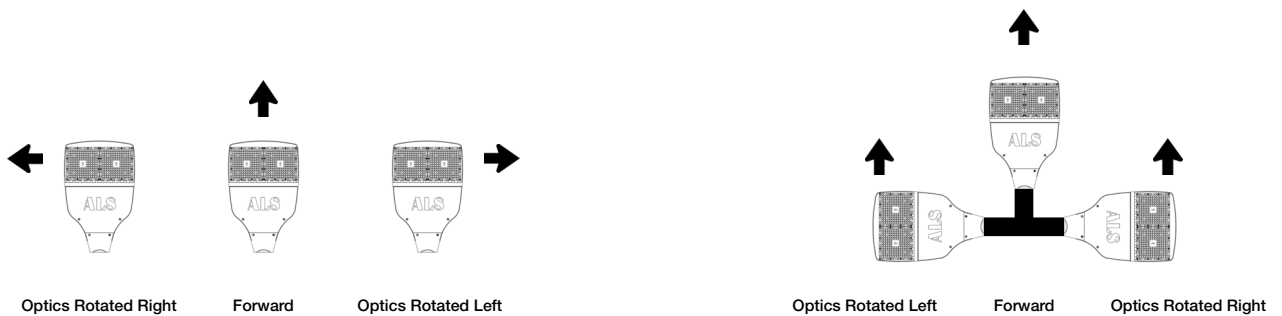
ALV SERIES AREA LIGHT

DIMENSIONS - STANDARD HOUSING

Model	L	W	H1	H2
Standard Housing				
Dual Board	21.14" (537mm)	13.32" (338mm)	2.57" (65mm)	6.01" (153mm)
w/SR Pole Mount				



OPTICS ROTATION



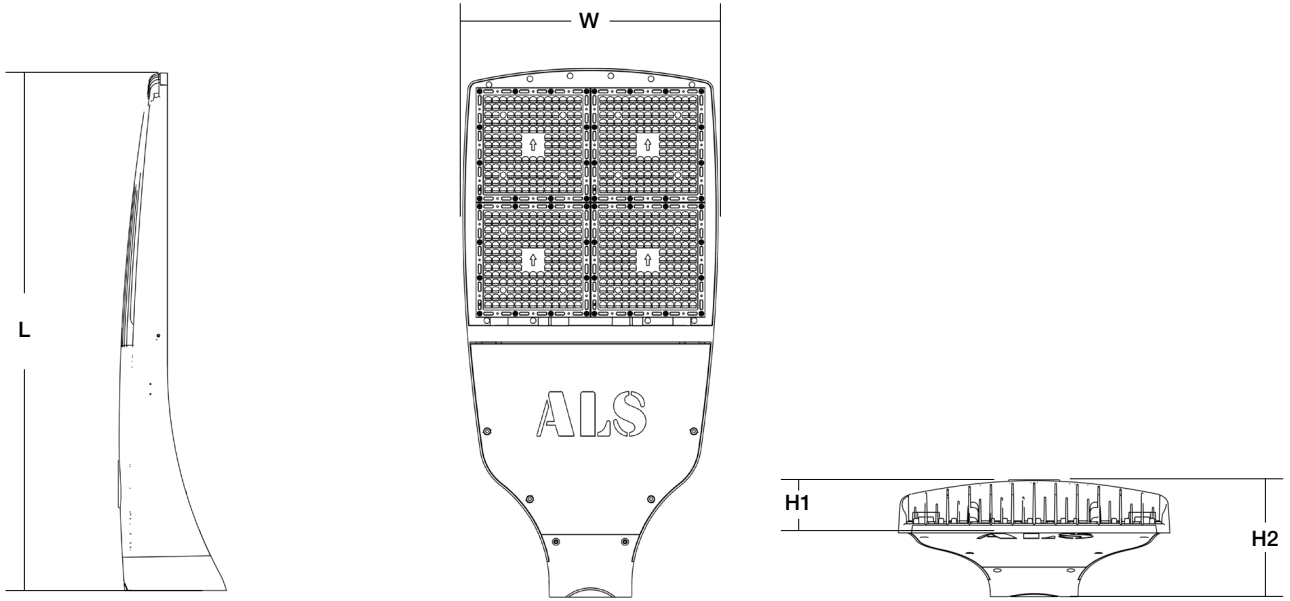
EPA (ft²)

Mounting Option	Single	2 @ 90°	2 @ 120°	2 @ 180°	3 @ 90°	3 @ 120°	4 @ 90°
Standard Housing	0.238	0.456	0.633	0.533	0.829	0.851	0.829

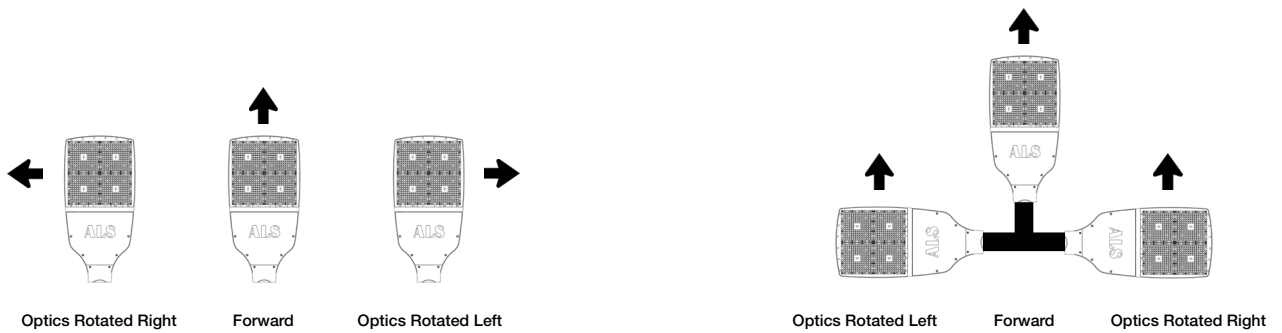
ALV SERIES AREA LIGHT

DIMENSIONS - HI-LUMEN HOUSING

Model	L	W	H1	H2
Hi-Lumen Housing Quad Board w/SR Pole Mount	29.15" (740mm)	13.32" (338mm)	2.57" (65mm)	6.01" (153mm)



OPTICS ROTATION



EPA (ft²)

Mounting Option	Single	2 @ 90°	2 @ 120°	2 @ 180°	3 @ 90°	3 @ 120°	4 @ 90°
Hi-Lumen Housing	0.313	0.544	0.732	0.626	0.866	0.963	0.866

ALV SERIES AREA LIGHT

PERFORMANCE DATA								
SYSTEM WATTS	VOLTAGE	DIST. TYPE	3000K		4000K		5000K	
			LUMEN	LPW	LUMEN	LPW	LUMEN	LPW
ALV-40 @ 40W	120-277V	II	6880	171	7105	176	7180	178
	120-277V	III	6758	168	6979	174	7053	175
	120-277V	IV	6766	168	6987	174	7061	176
	120-277V	V	6917	172	7143	178	7219	180
ALV-60 @ 60W	120-277V	II	9897	164	10220	169	10328	171
	120-277V	III	9721	161	10039	167	10145	168
	120-277V	IV	9732	161	10050	167	10157	169
	120-277V	V	9950	165	10275	171	10384	172
ALV-75 @ 75W	120-277V	II	12490	165	12899	170	13035	172
	120-277V	III	12269	162	12670	168	12804	170
	120-277V	IV	12283	162	12684	168	12818	170
	120-277V	V	12258	166	12968	172	13105	173
ALV-100 @ 100W	120-277V	II	15573	161	16082	167	16252	168
	120-277V	III	15297	159	15797	164	15964	166
	120-277V	IV	15314	159	15815	164	15982	166
	120-277V	V	15657	162	16169	168	16340	170
ALV-125 @ 125W	120-277V	II	19609	156	20250	161	20464	163
	120-277V	III	19261	154	19891	159	20101	161
	120-277V	IV	19283	154	19914	159	20124	161
	120-277V	V	19715	157	20359	163	20574	164
ALV-150 @ 150W	120-277V	II	22984	151	23736	157	23986	158
	120-277V	III	22577	149	23315	154	23561	156
	120-277V	IV	22603	149	23342	155	23588	156
	120-277V	V	23109	153	23864	158	24116	159
ALV-180 @ 180W	120-277V	II	26421	146	27284	151	27572	153
	120-277V	III	25952	144	26801	149	27084	150
	120-277V	IV	25981	144	26832	149	27116	151
	120-277V	V	26562	147	27432	153	27723	154
ALV-200 @ 200W	120-277V	II	28565	142	29499	147	29810	149
	120-277V	III	28059	140	28976	145	29282	146
	120-277V	IV	28091	141	29009	145	29316	147
	120-277V	V	28720	144	29658	148	29972	150
ALV-225 @ 225W	120-277V	II	31495	140	32524	145	32868	146
	120-277V	III	30937	138	31948	142	32286	144
	120-277V	IV	30972	138	31984	143	32322	144
	120-277V	V	31665	141	32700	146	33046	147

ALV SERIES AREA LIGHT

PERFORMANCE DATA (CONTINUED)

SYSTEM WATTS	VOLTAGE	DIST. TYPE	3000K		4000K		5000K	
			LUMEN	LPW	LUMEN	LPW	LUMEN	LPW
ALV-250 @ 250W	120-277V	II	38753	155	39773	159	40456	162
	120-277V	III	38088	152	39090	156	39762	159
	120-277V	IV	38133	152	39136	156	39809	159
	120-277V	V	38825	155	39847	159	40532	162
ALV-275 @ 275W	120-277V	II	41893	152	42996	156	43735	159
	120-277V	III	41174	150	42258	153	42984	156
	120-277V	IV	41223	150	42308	153	43035	156
	120-277V	V	41971	153	43076	156	43816	159
ALV-300 @ 300W	120-277V	II	45249	150	46440	154	47238	157
	120-277V	III	44473	147	45643	151	46427	154
	120-277V	IV	44525	148	45697	151	46482	154
	120-277V	V	45334	150	46527	154	47326	157
ALV-320 @ 320W	120-277V	II	47054	151	48292	155	49122	157
	120-277V	III	46246	148	47463	152	48279	155
	120-277V	IV	46301	148	47519	152	48336	155
	120-277V	V	47141	151	48382	155	49213	158
ALV-360 @ 360W	120-277V	II	53420	148	54826	152	55768	155
	120-277V	III	52503	145	53885	149	54811	152
	120-277V	IV	52565	146	53948	149	54875	152
	120-277V	V	53520	148	54928	152	55872	155
ALV-400 @ 400W	120-277V	II	57688	142	59206	145	60224	148
	120-277V	III	56698	139	58190	143	59190	145
	120-277V	IV	56765	139	58259	143	59260	145
	120-277V	V	57796	142	59317	145	60336	148
ALV-425 @ 425W	120-277V	II	60243	142	61828	145	62891	148
	120-277V	III	59209	139	60767	143	61811	145
	120-277V	IV	59272	139	60839	143	61884	145
	120-277V	V	60355	142	61944	145	63008	148
ALV-450 @ 450W	120-277V	II	63285	139	64950	142	66066	145
	120-277V	III	62198	136	63835	140	64932	142
	120-277V	IV	62272	136	63910	140	65009	142
	120-277V	V	63403	139	65071	142	66189	145

ALV SERIES AREA LIGHT

DLC CODE

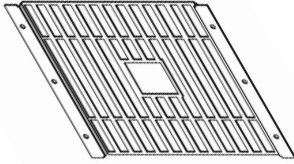
Part Number	DLC Product ID	DLC Class
ALV-10040T2-DBUNVD	PPMU9Y6U	Premium
ALV-10040T3-DBUNVD	PM744Q8P	Premium
ALV-10040T4-DBUNVD	PKI2XIPJ	Premium
ALV-10040T5-DBUNVD	P2XHEURH	Premium
ALV-10050T2-DBUNVD	PY5U8EY8	Premium
ALV-10050T3-DBUNVD	P8OXN4QJ	Premium
ALV-10050T4-DBUNVD	PKT9QQRL	Premium
ALV-10050T5-DBUNVD	P45XI6C7	Premium
ALV-10050T5-DBUNVD / ALV-10050T5-DBHVLD	P45XI6C7 / S-GUZEEM	Premium
ALV-15040T2-DBUNVD / ALV-15040T2-DBHVLD	P6OO209I / S-5WI7EJ	Premium
ALV-15040T3-DBUNVD / ALV-15040T3-DBHVLD	P9QQ1Q6C / S-I6YXFU	Premium
ALV-15040T5-DBUNVD / ALV-15040T5-DBHVLD	P97JQ1EL / S-JDY87A	Premium
ALV-15050T2-DBUNVD / ALV-15050T2-DBHVLD	P1529YH5 / S-OQ6DF5	Premium
ALV-15050T3-DBUNVD / ALV-15050T3-DBHVLD	PZJ39J6 / S-Q8CBEU	Premium
ALV-15040T4-DBUNVD / ALV-15040T4-DBHVLD	PWYRN8FM / S-8ATGW4	Premium
ALV-15050T4-DBUNVD / ALV-15050T4-DBHVLD	P17SOYDR / S-NTWAZ9	Premium
ALV-15040T5-DBUNVD / ALV-15040T5-DBHVLD	P97Q1EL / S-GUZEEM	Premium
ALV-15050T5-DBUNVD / ALV-15050T5-DBHVLD	PXBH3N5S / S-GUZEEM	Premium
ALV-20030T2-DBUNVD	S-D6V1GJ	Premium
ALV-20030T3-DBUNVD	S-R4Z4MV	Premium
ALV-20030T4-DBUNVD	S-C4MR46	Premium
ALV-20030T5-DBUNVD	S-C9V7S7	Premium
ALV-20040T2-DBUNVD	S-LZKW5D	Premium
ALV-20040T3-DBUNVD	S-P4FS3N	Premium
ALV-20040T4-DBUNVD	S-FOW1H9	Premium
ALV-20040T5-DBUNVD	S-1FHD6N	Premium
ALV-20050T2-DBUNVD	S-9NXVMM	Premium
ALV-20050T3-DBUNVD	S-9JYCMM	Premium
ALV-20050T4-DBUNVD	S-YHYXX7	Premium
ALV-20050T5-DBUNVD	S-FDHC65	Premium

ALV SERIES AREA LIGHT

DLC CODE (CONTINUED)

Part Number	DLC Product ID	DLC Class
ALV-32040T2-DBUNVD / ALV-32040T2-DBHVLD	PZEOMF5Q / S-HCAJDI	Premium
ALV-32050T2-DBUNVD / ALV-32050T2-DBHVLD	P8Q8SFWY / S-IKVNBJ	Premium
ALV-32040T3-DBUNVD / ALV-32040T3-DBHVLD	PFTH94VH / S-IOHE49	Premium
ALV-32050T3-DBUNVD / ALV-32050T3-DBHVLD	PB60TIAO / S-DH7R6T	Premium
ALV-32040T4-DBUNVD / ALV-32040T4-DBHVLD	PSXNOMAV / S-XM96N7	Premium
ALV-32050T4-DBUNVD / ALV-32050T4-DBHVLD	P8NSAN18 / S-JGLKPI	Premium
ALV-32040T5-DBUNVD / ALV-32040T5-DBHVLD	PLW2VQJ3 / S-U5ODSH	Premium
ALV-32050T5-DBUNVD / ALV-32050T5-DBHVLD	PITR7WC5 / S-H5T81G	Premium
ALV-42040T2-DBUNVD / ALV-42040T2-DBHVLD	POA9OA2Z / S-3CXD0H	Premium
ALV-42050T2-DBUNVD / ALV-42050T2-DBHVLD	PMNC8JU6 / S-7KM1OR	Premium
ALV-42040T3-DBUNVD / ALV-42040T3-DBHVLD	PB56J89T / S-SPJCKQ	Premium
ALV-42050T3-DBUNVD / ALV-42050T3-DBHVLD	PU454SNI / S-I0N6F1	Premium
ALV-42040T4-DBUNVD / ALV-42040T4-DBHVLD	P7TM7OU6 / S-CEID7T	Premium
ALV-42050T4-DBUNVD / ALV-42050T4-DBHVLD	PB0UKR4J / S-8ISM3L	Premium
ALV-42040T5-DBUNVD / ALV-42040T5-DBHVLD	PWMYJZJN / S-8K23MN	Premium
ALV-42050T5-DBUNVD / ALV-42050T5-DBHVLD	P15DEJTK / S-N0ZV2K	Premium

SHIELD SPEC



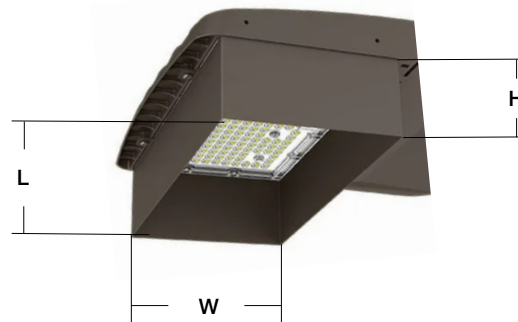
Backlight Control (Installed on Lens)

Standard Housing: 2:1
Hi-Lumen Housing: 4:1



Backlight Shield (Installed on Housing)

SHIELD-ALV-150: Standard Housing: 1:1
SHIELD-ALV-450: Hi-Lumen Housing: 1:1



4-Side Metal Visor (Installed on Housing)

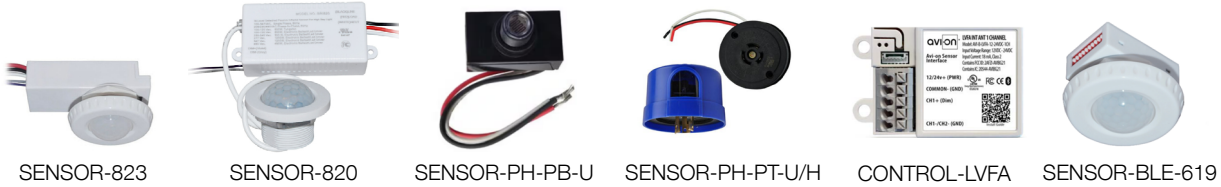
VISOR-ALV-150: Standard Housing: 1:1
L: 12.75" x W: 7.25" x H: 4.75"

VISOR-ALV-450: Hi-Lumen Housing: 1:1
L: 13" x W: 12.82" x H: 6"

ALV SERIES AREA LIGHT

SENSOR SPEC

Model	Type	Mounting	Coverage	Input	Function	Programmable
SENSOR-823	PIR	L3 - 40FT L4 - 8FT	30FT radius 24FT radius	Universal	On/Off/Dimming	REMOTE-RC100
SENSOR-820	PIR	up to 40FT	30FT radius	100 ~ 480V	On/Off/Dimming Daylight Harvesting	REMOTE-RC100
SENSOR-PH-PB-U	-	-	-	Universal	Dusk-to-Dawn Control	-
SENSOR-PH-PT-U SENSOR-PH-PT-UD SENSOR-PH-PT-HD	-	-	-	Universal 277 ~ 480V	Dusk-to-Dawn Control	-
CONTROL-LVFA (see page 12 for detail)	Fixture Controller	-	-	12V DC	Bluetooth Mesh On/Off/Dimming Scheduling	AVI-ON Bluetooth Mobile App
SENSOR-BLE-619 (see page 13 for detail)	PIR	L3 - 40FT L4 - 8FT	30FT radius 24FT radius	12V DC	Bluetooth Mesh On/Off Daylight	ALS Control Bluetooth Mobile App



CONTROL-LVFA SPEC

Status LEDs & Config Button

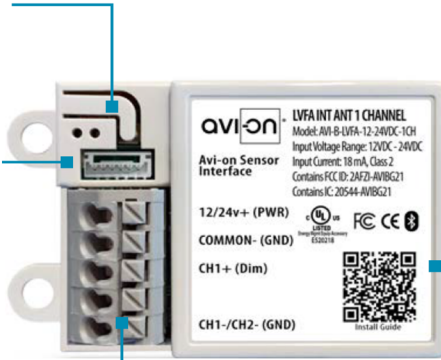
Quick and easy validation of wiring and network

Direct Connect™ Sensor Port

Simple and cost-effective addition to Avi-on sensors

Terminal Blocks & Mounting Tabs

Faster, easier and lower cost installation eliminating connectors



Internal Antenna

Improved performance and eliminates risk of accidentally cutting a hanging wire

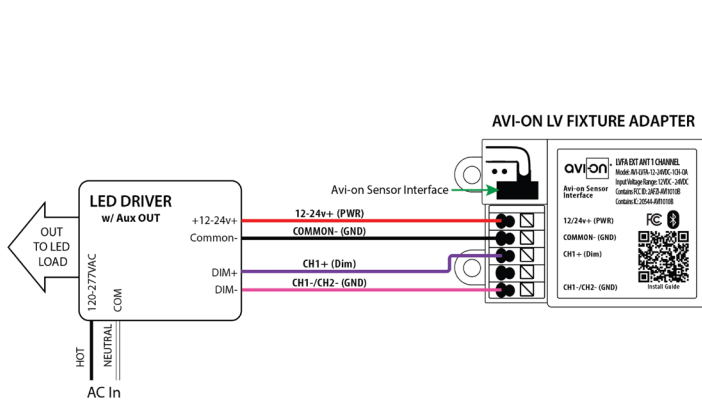
SPECIFICATIONS

INPUT VOLTAGE: 12-24VDC
CURRENT: 15mA without a Sensor
 19mA with a DC PIR Sensor
 48mA with a DC Microwave Sensor
0-10V DIMMING: 12-24VDC
SIZE: 2.30in x 1.43in x 0.75in
 (58.2mm x 36.4mm x 19mm)
MOUNTING: Removable mounting tabs
WEIGHT: 0.45 oz (16g)
OPERATING TEMP: -22°F to +158°F (-30°C to + 70°C)

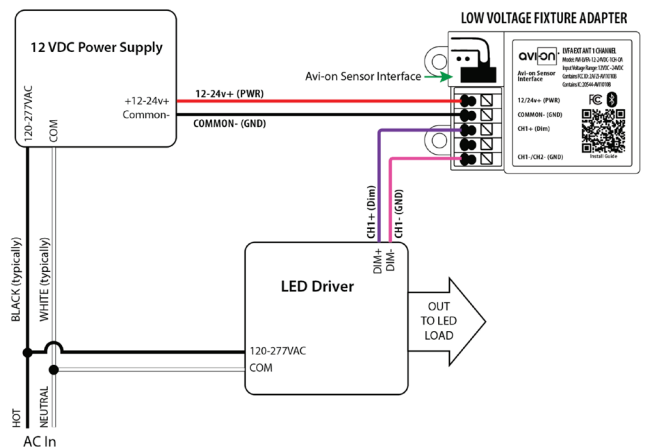
RADIO FREQUENCY: 2.4GHz
WIRELESS STANDARD: BLE 4.2 with Mesh
POINT TO POINT RANGE*: 80ft with obstructions
 350ft unobstructed
SECURITY: AES 128-bit encryption for device to device communication
 AES 256-bit encryption for device to cloud communication
WARRANTY: 5 years; 10 years optional
REGULATORY: FCC: 2AFZI-AVI1010 B
 IC: 20544-AVI1010 B
 BQB: D031801, DID: 86303
 UL 916, 2043 (Plenum Rated)

*When communicating through the mesh, range is essentially unlimited (5000ft+)

WIRING DIAGRAM



Fixture adapter powered by LED driver auxiliary output



Fixture adapter connected to LED driver and using power supply

FEATURE

- **Installation:** Factory Install - Sensor integral to fixture, lens external
- **Commissioning:** Wirelessly through ALS Control Mobile App (iOS / Android)
- **Certification:** DLC 5.1 Networked Lighting Control System
- **Control:** Hold time, High-Low setting, continuous Bi-level dimming, manual/auto - on/off
- **Sensor:** Motion (Occupancy/Vacancy/Manual) and Daylight
- **Zone Control:** Zoning and Grouping control, Scheduling

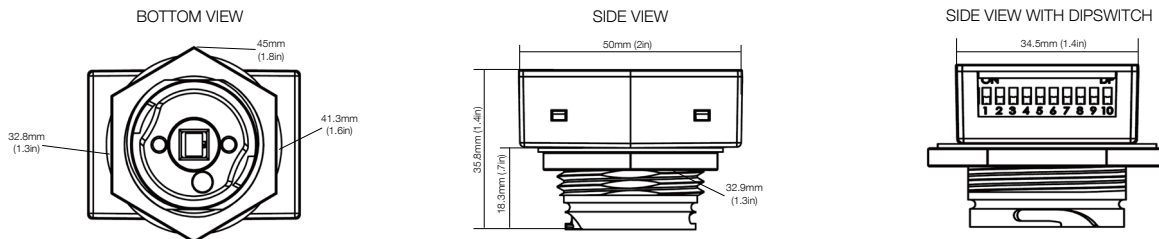


SPECIFICATIONS

SENSOR TYPE: Passive Infrared Sensor (PIR)
WIRELESS STANDARDS: Bluetooth SIG Mesh
INPUT VOLTAGE: 12-24VDC, >50mA
CONTROL OUTPUT: 0-10V
OPERATING TEMP: -40°F ~ +158°F (-40°C ~ +70°C)

COMMISSIONING RANGE: 50FT
BLUETOOTH RANGE: Integral antenna up to 100FT
DETECTION ANGLE: Vertical 90° x Horizontal 360°
MOUNTING HEIGHT: 8 - 40FT
WARRANTY: 5 years
IP RATING: IP65

DIMENSIONS



COVERAGE PATTERNS

