



## AL2 SERIES AREA LIGHT

Client:  
Project:  
Type:  
Quantity:

### CONSTRUCTION

Rugged die-cast aluminum housing with hinged, die-cast aluminum door.  
Low profile, 3G vibration rated compact design minimizes wind load requirements.  
Downward opening electrical hinged door completely sealed against moisture and dust.

### OPTICS

UV-resistant polycarbonate optics, available in Type II, III, IV, V distributions.  
Full cutoff when mounted with 0 degrees tilt with adjustable mounting.  
Optics is precisely designed to shape the distribution, maximizing efficiency and application spacing.

### ELECTRICAL

80+ CRI Lumileds LED.  
-40°C up to 50°C (-40°F up to 122°F) maximum operating temperature.  
Long-life 120,000 hr LED at L70 @ 25°C.  
Driver operates at 120-277V input, 0-10V dimmable driver, down to 10%.  
50/60Hz, <11% THD, 0.9 power factor.  
Optional 347/480V input. Optional 10kV surge protection.

### SENSORS (OPTIONAL)

SENSOR-BLE-619 Integral PIR ALS Control bluetooth/on/off/dimming/photosensing.  
SENSOR-823 Integral PIR on/off/dimming/photosensing.  
SENSOR-820 Integral PIR on/off/dimming/photosensing.  
SENSOR-PH-PB-U Integral button style photocell.  
SENSOR-PH-PT-U/UD/HD Twist lock dimming/non-dimming photocontrol.  
CONTROL-LVFA AVI-ON Bluetooth Mesh Controller.

### MOUNTING

Adjustable pole mount bracket suitable for round (RL) or square (SL) pole.  
Optional adjustable slipfitter for 2-3/8" tenon.  
Optional adjustable wall mount (WM) bracket.

### STANDARD FINISH

Corrosion resistant Dark Bronze powder coating finish.

### CUSTOM FINISH

Corrosion resistant Black, Graphite Metallic, Gray, Silver, White, Custom RAL#.

### CERTIFICATION

IP65 Wet location label standard.  
Meets Buy America Act requirements.  
IDA compliant: with 3000K color temperature selection.  
Title 24 compliant; see local ordinance for qualification information.  
All luminaires are built to UL1598 standards and bear appropriate cETLus labels.  
Electrical Driver and luminaire compliant with CE standard.  
DLC® Premium (DesignLights Consortium Qualified).

### WARRANTY

5 year warranty, see Limited Warranty for additional information.



300W w/Slipfitter Mount



100W / 150W / 200W w/Slipfitter Mount

### SHIPPING DATA

Product	Measurement	Weight
AL2-100/150/200	19"L x 16"W x 5"H	15 lb
AL2-300	29"L x 16"W x 5"H	25 lb



**AL2 SERIES AREA LIGHT**

**ORDER INFORMATION** **EXAMPLE : AL2 100 40 T3 DB UNVD**

Fixture	Series	Power & LM	CCT	Distribution	Finish	Input
	<b>AL2</b>					

**A SERIES**

<b>AL2</b>	Area Light
------------	------------

**B POWER & LM\*** \*Wattage / Lumen output dialable per request - consult factory

Code	Power	LM	Code	Power	LM
<b>100*</b>	100W	13400lm	<b>200*</b>	200W	27400lm
<b>150*</b>	150W	20400lm	<b>300*</b>	300W	40800lm

**C CCT**

<b>30</b>	3000K	<b>50</b>	5000K
<b>40</b>	4000K		

**D DISTRIBUTION**

<b>T2</b>	Type II	<b>T4</b>	Type IV
<b>T3</b>	Type III	<b>T5</b>	Type V

**E FINISH**

Standard						
<b>DB</b>	Dark Bronze					
Custom Color						
<b>CC</b>	<b>BK</b>	Black	<b>GM</b>	Graphite Metallic	<b>GR</b>	Gray
	<b>SV</b>	Silver	<b>WH</b>	White	<b>RAL#</b>	

**F INPUT**

<b>UNVD</b>	120-277V, 1-10V Dimmable	<b>HVL</b>	347V, 480V
-------------	--------------------------	------------	------------

**AL2 SERIES AREA LIGHT**

**ORDER INFORMATION (CONTINUED)**

**Mounting**

**Accessories  
Options**

**G MOUNTING**

<b>MOUNT-P-SF</b>	Slipfitter	<b>MOUNT-P-RL</b>	Round Pole-L
<b>MOUNT-P-SL</b>	Square Pole-L	<b>MOUNT-P-RS</b>	Round Pole-S
<b>MOUNT-P-SS</b>	Square Pole-S	<b>MOUNT-P-WM</b>	Wall Mount

**H ACCESSORIES/OPTIONS**

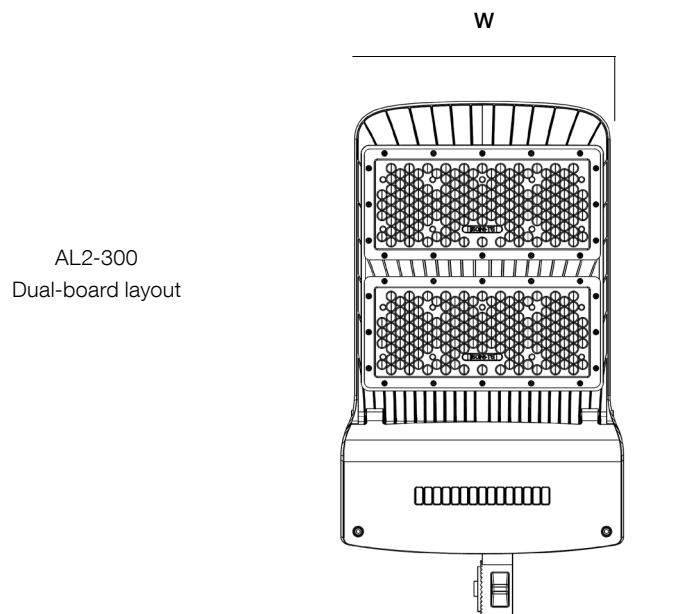
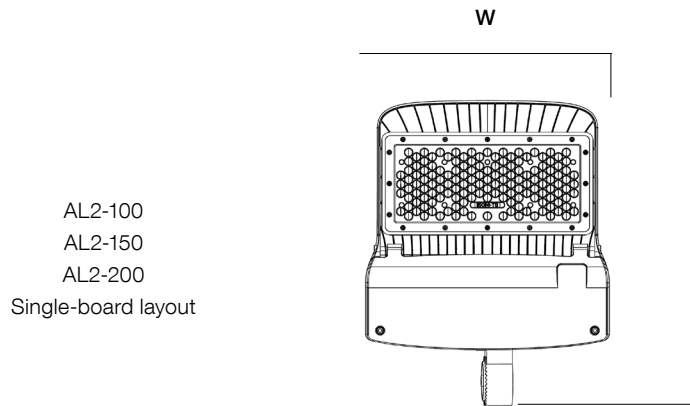
<b>AIA</b>	Assembled in America, compliant with BAA (COTS)
<b>SENSOR-BLE-619-L3 / L4*</b>	Integral PIR Bluetooth Daylight Sensor (ALS Control Mobile App) / <b>L3:</b> up to 40FT, <b>L4:</b> up to 8FT
<b>SENSOR-PH-PB-U*</b>	Button Style Photocell
<b>SENSOR-PH-PT-U / UD / HD*</b>	Twist Lock Photocell / <b>U:</b> 120-277V, <b>UD:</b> 120-277V, <b>HD:</b> 480V input
<b>SENSOR-823-L3 / L4*</b>	Integral PIR on/off/dimming/photosensing / <b>L3:</b> up to 40FT, <b>L4:</b> up to 8FT
<b>SENSOR-820*</b>	Integral PIR on/off/dimming/photosensing
<b>REMOTE-RC100</b>	Handheld Remote Commissioning Tool for SENSOR-823, 820 Series
<b>SURGE-LSP4-U / H</b>	10kV inline Surge Protection for Universal input / <b>U:</b> 120-277V, <b>H:</b> 480V input
<b>CONTROL-LVFA*</b>	AVI-ON Bluetooth Mesh Control System

\*see page 7 for sensor spec

**AL2 SERIES AREA LIGHT**

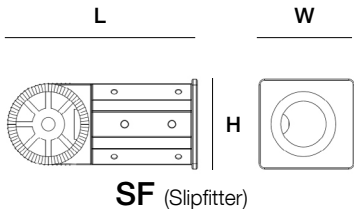
**DIMENSIONS**

Model	L	W	H
AL2-100 / 150 / 200	18.31" (465mm)	14.80" (376mm)	2.38" (60mm)
AL2-300	27.17" (690mm)	14.80" (376mm)	2.38" (60mm)

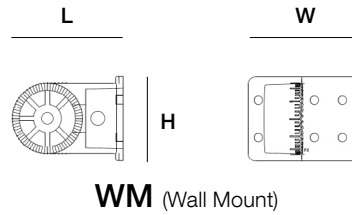


**AL2 SERIES AREA LIGHT**

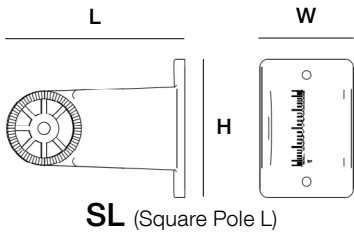
**MOUNTING OPTIONS**



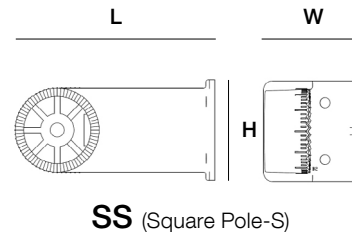
L: 6.93" (176mm)  
 W: 3.46" (88mm)  
 H: 3.81" (97mm)



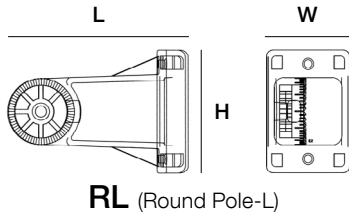
L: 4.69" (119mm)  
 W: 4.82" (123mm)  
 H: 3.54" (90mm)



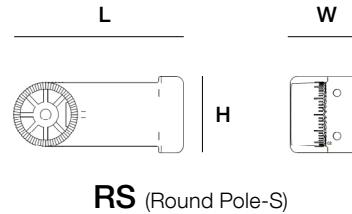
L: 7.13" (181mm)  
 W: 3.74" (95mm)  
 H: 5.51" (140mm)



L: 7.05" (179mm)  
 W: 3.64" (93mm)  
 H: 3.54" (90mm)

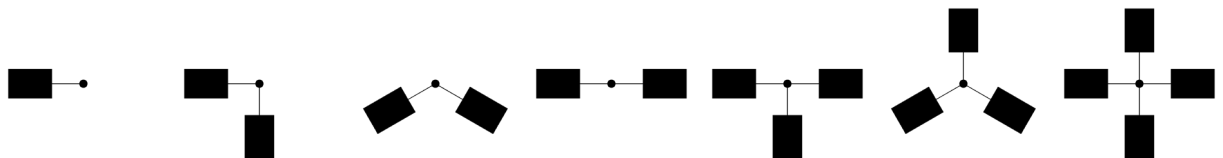


L: 8.09" (206mm)  
 W: 3.74" (95mm)  
 H: 5.51" (140mm)



L: 7.88" (200mm)  
 W: 3.64" (93mm)  
 H: 3.54" (90mm)

**EPA (ft<sup>2</sup>)**



Mounting Option	Single	2 @ 90°	2 @ 120°	2 @ 180°	3 @ 90°	3 @ 120°	4 @ 90°
100/150/200	0.225	0.390	0.526	0.450	0.675	0.692	0.675
300	0.380	0.660	0.888	0.760	1.140	1.169	1.140

**AL2 SERIES AREA LIGHT**

**PERFORMANCE DATA**

SYSTEM WATTS	VOLTAGE	DIST.TYPE	4000K		5000K	
			LUMENS	LPW	LUMENS	LPW
100W	120-277V	III	13200	132	13500	135
	120-277V	IV	13300	133	13600	136
	120-277V	V	13400	134	13700	137
150W	120-277V	III	19650	131	20100	134
	120-277V	IV	19800	132	20250	135
	120-277V	V	19950	133	20400	136
200W	120-277V	III	26400	132	27000	135
	120-277V	IV	26600	133	27200	136
	120-277V	V	26800	134	27400	137
300W	120-277V	III	39300	131	40200	134
	120-277V	IV	39600	132	40500	135
	120-277V	V	39900	133	40800	136

**AL2 SERIES AREA LIGHT**

**SENSOR SPEC**

Model	Type	Mounting	Coverage	Input	Function	Programmable
SENSOR-823	PIR	L3 - 40FT L4 - 8FT	30FT radius 24FT radius	Universal	On/Off/Dimming	REMOTE-RC100
SENSOR-820	PIR	up to 40FT	30FT radius	100 ~ 480V	On/Off/Dimming Daylight Harvesting	REMOTE-RC100
SENSOR-PH-PB-U	-	-	-	Universal	Dusk-to-Dawn Control	-
SENSOR-PH-PT-U SENSOR-PH-PT-UD SENSOR-PH-PT-HD	-	-	-	Universal 277 ~ 480V	Dusk-to-Dawn Control	-
CONTROL-LVFA (see page 8 for detail)	Fixture Controller	-	-	12V DC	Bluetooth Mesh On/Off/Dimming Scheduling	AVI-ON Bluetooth Mobile App
SENSOR-BLE-619 (see page 9 for detail)	PIR	L3 - 40FT L4 - 8FT	30FT radius 24FT radius	12V DC	Bluetooth Mesh On/Off Daylight	ALS Control Bluetooth Mobile App



SENSOR-823



SENSOR-820



SENSOR-PH-PB-U



SENSOR-PH-PT-U/UD



SENSOR-PH-PT-HD



CONTROL-LVFA



SENSOR-BLE-619

**CONTROL-LVFA SPEC**

**Status LEDs & Config Button**

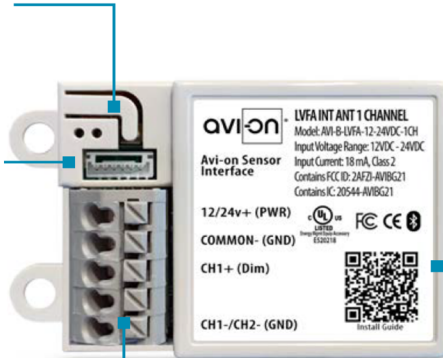
Quick and easy validation of wiring and network

**Direct Connect™ Sensor Port**

Simple and cost-effective addition to Avi-on sensors

**Terminal Blocks & Mounting Tabs**

Faster, easier and lower cost installation eliminating connectors



**Internal Antenna**

Improved performance and eliminates risk of accidentally cutting a hanging wire

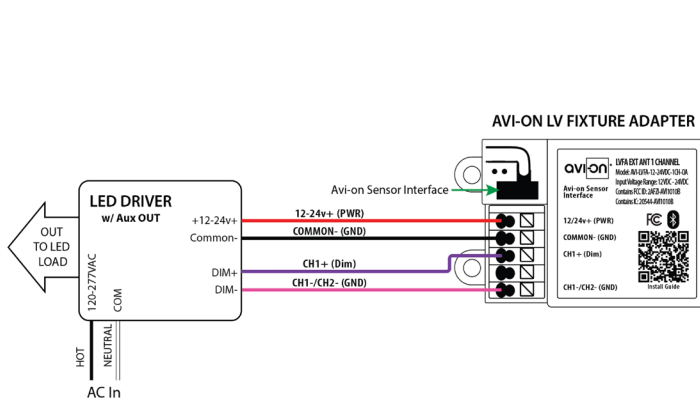
**SPECIFICATIONS**

**INPUT VOLTAGE:** 12-24VDC  
**CURRENT:** 15mA without a Sensor  
 19mA with a DC PIR Sensor  
 48mA with a DC Microwave Sensor  
**0-10V DIMMING:** 12-24VDC  
**SIZE:** 2.30in x 1.43in x 0.75in  
 (58.2mm x 36.4mm x 19mm)  
**MOUNTING:** Removable mounting tabs  
**WEIGHT:** 0.45 oz (16g)  
**OPERATING TEMP:** -22°F to +158°F (-30°C to + 70°C)

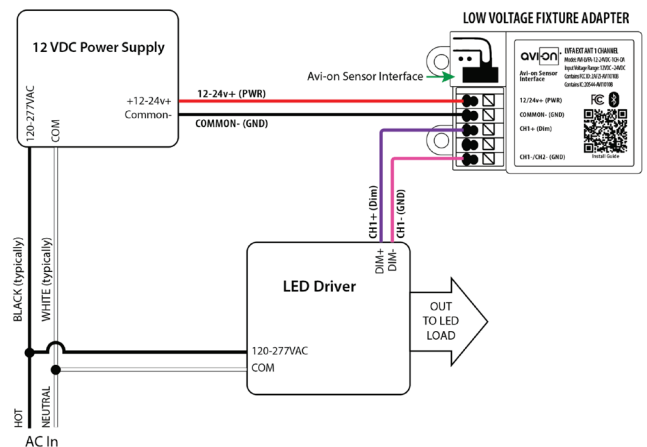
**RADIO FREQUENCY:** 2.4GHz  
**WIRELESS STANDARD:** BLE 4.2 with Mesh  
**POINT TO POINT RANGE\*:** 80ft with obstructions  
 350ft unobstructed  
**SECURITY:** AES 128-bit encryption for device to device communication  
 AES 256-bit encryption for device to cloud communication  
**WARRANTY:** 5 years; 10 years optional  
**REGULATORY:** FCC: 2AFZI-AVI1010 B  
 IC: 20544-AVI1010 B  
 BQB: D031801, DID: 86303  
 UL 916, 2043 (Plenum Rated)

\*When communicating through the mesh, range is essentially unlimited (5000ft+)

**WIRING DIAGRAM**



Fixture adapter powered by LED driver auxiliary output



Fixture adapter connected to LED driver and using power supply



**FEATURE**

- **Installation:** Factory Install - Sensor integral to fixture, lens external
- **Commissioning:** Wirelessly through ALS Control Mobile App (iOS / Android)
- **Certification:** DLC 5.1 Networked Lighting Control System
- **Control:** Hold time, High-Low setting, continuous Bi-level dimming, manual/auto - on/off
- **Sensor:** Motion (Occupancy/Vacancy/Manual) and Daylight
- **Zone Control:** Zoning and Grouping control, Scheduling

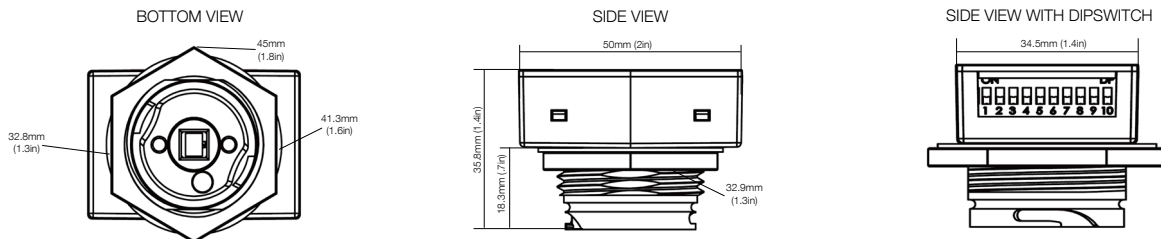


**SPECIFICATIONS**

**SENSOR TYPE:** Passive Infrared Sensor (PIR)  
**WIRELESS STANDARDS:** Bluetooth SIG Mesh  
**INPUT VOLTAGE:** 12-24VDC, >50mA  
**CONTROL OUTPUT:** 0-10V  
**OPERATING TEMP:** -40°F ~ +158°F (-40°C ~ +70°C)

**COMMISSIONING RANGE:** 50FT  
**BLUETOOTH RANGE:** Integral antenna up to 100FT  
**DETECTION ANGLE:** Vertical 90° x Horizontal 360°  
**MOUNTING HEIGHT:** 8 - 40FT  
**WARRANTY:** 5 years  
**IP RATING:** IP65

**DIMENSIONS**



**COVERAGE PATTERNS**

