

DD SERIES DUSK TO DAWN

Client:
 Project:
 Type:
 Quantity:

CONSTRUCTION

Rugged die-cast aluminum housing, internal venting fins create optimal heat dissipation.

OPTICS

Close bottom acrylic reflector standard, general distribution for entryway, pathway, yard and loading docks.

Stock version: 5000K

ELECTRICAL

70+ CRI Lumileds LED.
 -40°C up to 40°C (-40°F up to 104°F) maximum operating temperature.
 Long-life 56,000hr LED at L70.
 Driver operates at 120-277V input, 50/60Hz.
 <20% THD, >0.9 power factor.
 Built-in twist lock on/off photocell control included.
 Optional 10kV surge protection.

MOUNTING

Standard wall mount.
 Optional Pole mount arm extension kit (sold separately).

STANDARD FINISH

Corrosion resistant Dark Bronze and Silver powder coating finish.

CUSTOM FINISH

Corrosion resistant Black, Graphite Metallic, Gray, White, Custom RAL#.

CERTIFICATION

IP65 Wet location label standard.
 Meets Buy America Act requirements.
 All luminaires are built to UL1598 standards and bear appropriate cULus labels.
 DLC[®] Premium (DesignLights Consortium Qualified).

WARRANTY

5 year warranty, see Limited Warranty for additional information.



Silver Finish



Dark Bronze Finish

with optional arm

SHIPPING DATA

Product	Measurement	Weight
DD-45	17" L x 8" W x 6" H	5.5 lb
DD-65	17" L x 8" W x 6" H	5.8 lb
DD-90	17" L x 8" W x 6" H	6 lb



DD SERIES DUSK TO DAWN

ORDER INFORMATION					EXAMPLE : DD 45 50 DB U P	
Fixture	Series	Power & LM	CCT	Finish	Input	Control
	DD		50		U	P
Mounting						Accessories Options

A SERIES

DD Dusk to Dawn / Security Light

B POWER & LM

Code	Power	LM
45	45W	6,200lm
65	65W	8,800lm
90	90W	12,000lm

C CCT

50 5000K

D FINISH

Standard						
DB	Dark Bronze		SV	Silver		
Custom Color						
CC	BK	Black	GM	Graphite Metallic	GR	Gray
	WH	White	RAL#			

E INPUT

U-P 120-277V, Twist lock photocell included

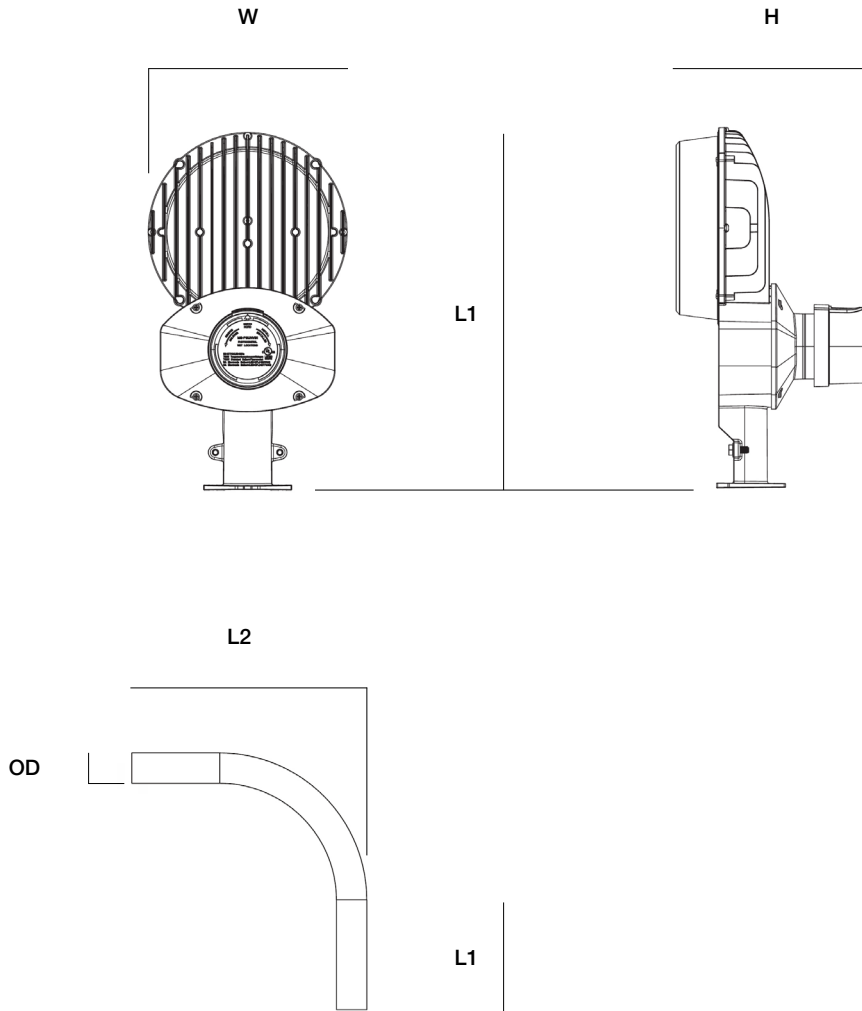
F ACCESSORIES/OPTIONS

AIA	Assembled in America, compliant with BAA (COTS)
SURGE-LSP4-U	10kV inline Surge Protection for Universal input / U : 120-277V
MOUNT-DD-ARM	Mounting Arm Kit

DD SERIES DUSK TO DAWN

DIMENSIONS

Model	L1	L2	W	H	OD
DD-45 - 90	14.20" (361mm)		7.90" (201mm)	7.60" (193mm)	
MOUNT-DD-ARM	5.94" (151mm)	12.71" (323mm)			Ø1.64" (42mm)



DD SERIES DUSK TO DAWN

PERFORMANCE DATA

SYSTEM WATTS	VOLTAGE	5000K (70 CRI)		QTY ON PALLET
		LUMENS	LPW	
45W	120-277V	6210	138	80
65W	120-277V	8775	135	80
90W	120-277V	12240	136	80

DLC CODE

Part Number	DLC Part Number	DLC Class
DD - 45 40 - DB U P	MDD0545W27V40K[SG,D,B,W][Blank,P0][Blank,A-Z,a-z,0-9] DLC Product ID# P6VO8QVN	Premium
DD - 45 50 - DB U P	MDD0545W27V50K[SG,D,B,W][Blank,P0][Blank,A-Z,a-z,0-9] DLC Product ID# PB3HDCX5	Premium
DD - 90 40 - DB U P	MDD0590W27V40K[SG,D,B,W][Blank,P0][Blank,A-Z,a-z,0-9] DLC Product ID# PL7IS9WY	Premium
DD - 90 50 - DB U P	MDD0590W27V50K[SG,D,B,W][Blank,P0][Blank,A-Z,a-z,0-9] DLC Product ID# P1M0M3MW	Premium