



TREA SERIES G2 SELECTABLE LED TROFFER

Client:
Project:
Type:
Quantity:

CONSTRUCTION

22-gauge metal frame, 95% reflective white polyester powder coat bonded to phosphate-free multi-stage pretreated metal. All parts painted after fabrication to facilitate installation, increase efficiency and inhibit corrosion. All corners are rounded for safe handling. Multiple wiring entrances on driver enclosure for easy access. Integral T-bar clips for installation into T-grid ceilings.

OPTICS

Backlit design provides exceptional lighting distribution. Frosted polycarbonate lens offers edge to edge smooth illumination for maximum visual comfort.

ELECTRICAL

Long-life LEDs, coupled with a high-efficiency driver, provide superior illumination for extended service life. Greater than 70% LED lumen maintenance at 60,000 hours (L70>60,000).

Selectable lumen and CCT technology allows easy field-adjustable capability, luminaire ships with maximum output and 4000K CCT setting.

All CCTs are within 3 MacAdam ellipses.

Driver operates at 120-277V input, 0-10V dimmable driver, down to 10%.

SENSORS (OPTIONAL)

SENSOR-BLE-7 Integral Microwave Bluetooth Wireless Motion/on/off/dimming/photosensing.

SENSOR-ANT-7 Integral Microwave Motion/on/off/dimming/photosensing.

CONTROL-LVFA AVI-ON Bluetooth Mesh Controller.

MOUNTING

Designed to accommodate lay-in ceilings, Slot T, and T-bar suspension system for 5/8" and 3/8" width.

Built-in earthquake clips come standard.

Surface/cable mount applications, use surface mount accessories.

Plaster or sheetrock installations, select flange kit.

STANDARD FINISH

High Reflective White finish.

CERTIFICATION

Damp location label standard.

Meets Buy America Act requirements.

Option for "BABAA" compliance upon request.

All luminaires are built to UL1598 standards and bear appropriate cULus labels.

For Emergency application, equipment with UL924 certified battery packs.

DLC® Premium (DesignLights Consortium Qualified)

WARRANTY

5 year warranty, see Limited Warranty for additional information.



TREA-4 (Gen 2)

SHIPPING DATA

| Product | Measurement | Weight |
|--------------------|-------------------|--------|
| TREA-G2-1 (2-pack) | 48"L x 12"W x 3"H | 16 lb |
| TREA-G2-2 (2-pack) | 24"L x 24"W x 3"H | 15 lb |
| TREA-G2-4 (2-pack) | 48"L x 24"W x 3"H | 24 lb |



TREA SERIES G2 SELECTABLE LED TROFFER

| ORDER INFORMATION | | | | | EXAMPLE: TREA G2 2 |
|-------------------|--|--|--|--|--------------------|
|-------------------|--|--|--|--|--------------------|

| | | | | |
|----------------|---------------|--------------|---------------|--------------|
| Fixture | Series | Model | Finish | Input |
| | TREA | | blank | blank |

Mounting

**Accessories
Options**

| A | SERIES |
|----------|--------|
|----------|--------|

| | |
|-------------|--------------------------------------|
| TREA | Selectable Lumen and CCT LED Troffer |
|-------------|--------------------------------------|

| B | MODEL |
|----------|-------|
|----------|-------|

| Code | Size | Power | CCT | Output |
|-------------|------|-----------------|---------------------------------------|--------------|
| 1-G2 | 1x4 | 20W / 25W / 30W | 3000K / 3500K / 4000K / 5000K / 6500K | up to 4500lm |
| 2-G2 | 2x2 | 25W / 30W / 35W | 3000K / 3500K / 4000K / 5000K / 6500K | up to 5250lm |
| 4-G2 | 2x4 | 34W / 38W / 45W | 3000K / 3500K / 4000K / 5000K / 6500K | up to 6750lm |

| C | FINISH |
|----------|--------|
|----------|--------|

| | |
|--------------|-------|
| blank | White |
|--------------|-------|

| D | INPUT |
|----------|-------|
|----------|-------|

| | | | |
|--------------|--|-----------|--|
| blank | 120-277V, 0-10V Dimming w/12V AUX Output | MD | 120-347V, 0-10V Dimming w/12V AUX Output |
|--------------|--|-----------|--|

| G | MOUNTING |
|----------|----------|
|----------|----------|

| | |
|------------------------|--|
| blank | Standard lay-in |
| MOUNT-LP-14-FGK | 1x4 Flange Kit (Plaster, Sheetrock or Drywall) |
| MOUNT-LP-22-FGK | 2x2 Flange Kit (Plaster, Sheetrock or Drywall) |
| MOUNT-LP-24-FGK | 2x4 Flange Kit (Plaster, Sheetrock or Drywall) |
| MOUNT-LP-14-SMK | 2" Tall 1x4 Surface Mount Kit |
| MOUNT-LP-22-SMK | 2" Tall 2x2 Surface Mount Kit |
| MOUNT-LP-24-SMK | 2" Tall 2x4 Surface Mount Kit |

| H | ACCESSORIES/OPTIONS |
|----------|---------------------|
|----------|---------------------|

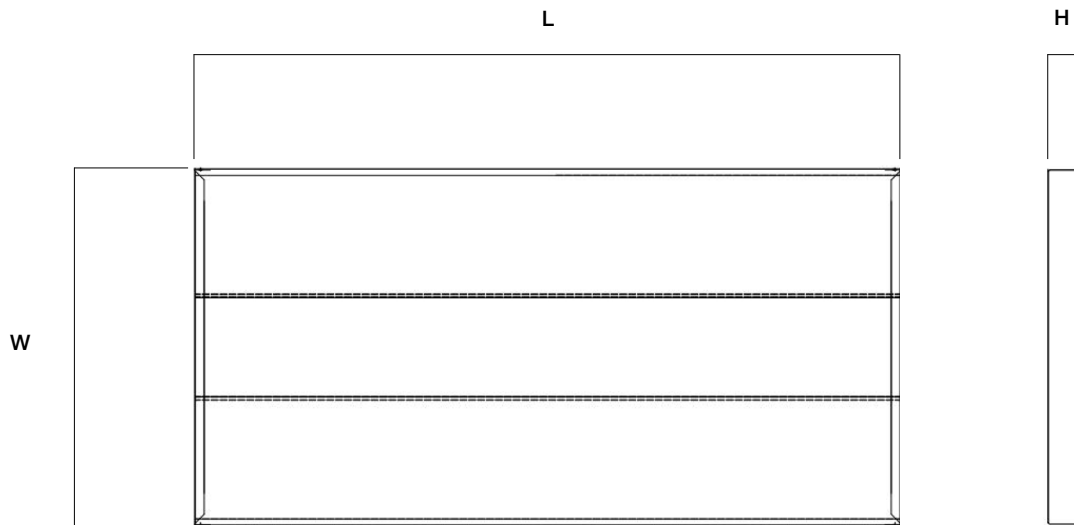
| | |
|----------------------|---|
| AIA | Assembled in America, compliant with BAA (COTS) |
| BABAA | Build America, Buy America Act (BABAA) Compliant |
| SENSOR-BLE-7* | Integral Microwave Bluetooth Wireless Bi-Level Motion Sensor (ALS Control Mobile App) |
| SENSOR-ANT-7* | Integral Microwave Bi-Level Motion Sensor |
| CONTROL-LVFA* | AVI-ON Bluetooth Mesh Control System |
| REMOTE-RC100 | Handheld Remote Commissioning Tool for SENSOR-ANT (1 per job) |
| EMB-H08170* | External EMB 8W |
| EMB-H18170* | External EMB 18W |
| EMB-H40170* | External EMB 40W |
| -C | 6-Foot Flex |

*see page 5 for sensor and emb spec

TREA SERIES G2 SELECTABLE LED TROFFER

DIMENSIONS

| Model | W | L | H |
|-----------|----------------|-----------------|-------------|
| TREA-G2-1 | 11.70" (298mm) | 47.80" (1213mm) | 2.0" (50mm) |
| TREA-G2-2 | 23.76" (603mm) | 23.76" (603mm) | 2.1" (54mm) |
| TREA-G2-4 | 23.76" (603mm) | 47.80" (1213mm) | 2.1" (54mm) |



TREA SERIES G2 SELECTABLE LED TROFFER

PERFORMANCE DATA

| SYSTEM WATTS | SIZE | VOLTAGE | LUMEN | LPW | QTY ON PALLET |
|--------------|------|----------|-------|-----|---------------|
| 20W | 1x4 | 120-277V | 3000 | 150 | 100 |
| 25W | 1x4 | 120-277V | 3750 | 150 | 100 |
| 30W | 1x4 | 120-277V | 4500 | 150 | 100 |
| 25W | 2x2 | 120-277V | 3750 | 150 | 120 |
| 30W | 2x2 | 120-277V | 4500 | 150 | 120 |
| 35W | 2x2 | 120-277V | 5250 | 150 | 120 |
| 34W | 2x4 | 120-277V | 5100 | 150 | 60 |
| 38W | 2x4 | 120-277V | 5700 | 150 | 60 |
| 45W | 2x4 | 120-277V | 6750 | 150 | 60 |

DLC CODE

| Part Number | DLC Part Nnumber | DLC Class |
|-------------|------------------|-----------|
| TREA-1-G2 | S-SPVG2B | Premium |
| TREA-2-G2 | S-VQ2AI1 | Premium |
| TREA-4-G2 | S-8MCVZA | Premium |

TREA SERIES G2 SELECTABLE LED TROFFER

SENSOR SPEC

| Model | Type | Mounting | Coverage | Input | Function | Programmable |
|---|-----------------------|------------|-------------|--------|--|--|
| SENSOR-BLE-7 (see page 7 for detail) | Microwave | up to 13FT | 17FT radius | 12V DC | Bluetooth Mesh On/Off/Dimming Motion Daylight Sensing | ALS Control Bluetooth Mobile App |
| SENSOR-ANT-7 | Microwave | up to 12FT | 17FT radius | 10V DC | On/Off/Dimming Motion Daylight Sensing | REMOTE-RC100 |
| CONTROL-LVFA (see page 6 for detail) | Fixture Controller | - | - | 12V DC | Bluetooth Mesh On/Off/Dimming Scheduling | AVI-ON Bluetooth Mobile App |



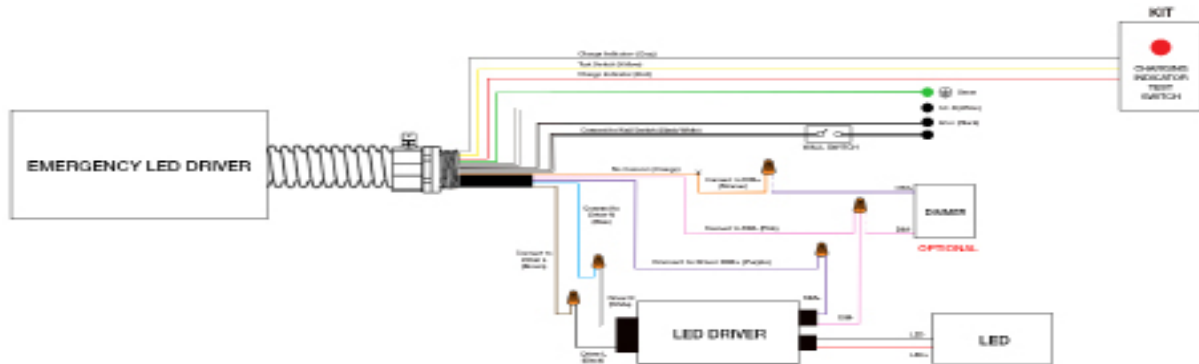
SENSOR-BLE-7
 SENSOR-ANT-7



CONTROL-LVFA

EMB SPEC

| Model | Battery Capacity | Input | Output | Output Power | Operating Temp | Installation |
|------------|------------------|------------|--------|--------------|----------------------------|-----------------------------|
| EMB-H08170 | 90mins | 100-347VAC | 170VDC | 8W | 0°C ~ 50°C 32°F ~ 122°F | Factory or Field Install |
| EMB-H18170 | 90mins | 100-347VAC | 170VDC | 18W | 0°C ~ 50°C 32°F ~ 122°F | Factory or Field Install |
| EMB-H40170 | 90mins | 100-347VAC | 170VDC | 40W | 0°C ~ 50°C 32°F ~ 122°F | Factory or Field Install |



TREA SERIES G2 SELECTABLE LED TROFFER

CONTROL-LVFA SPEC

Status LEDs & Config Button

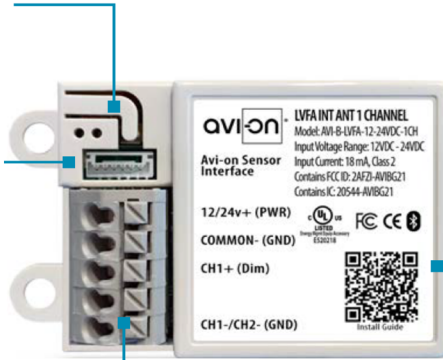
Quick and easy validation of wiring and network

Direct Connect™ Sensor Port

Simple and cost-effective addition to Avi-on sensors

Terminal Blocks & Mounting Tabs

Faster, easier and lower cost installation eliminating connectors



Internal Antenna

Improved performance and eliminates risk of accidentally cutting a hanging wire

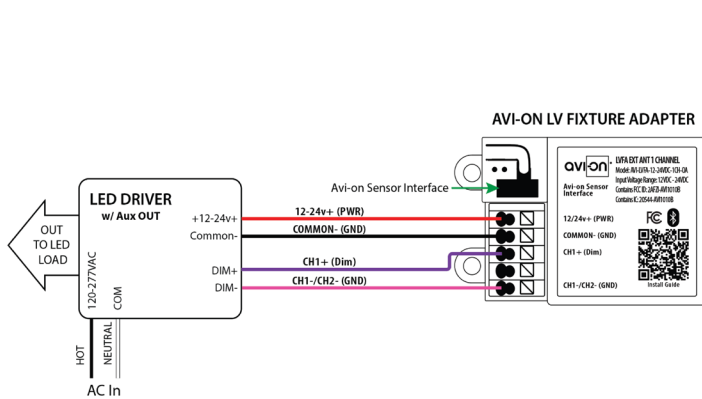
SPECIFICATIONS

INPUT VOLTAGE: 12-24VDC
CURRENT: 15mA without a Sensor
 19mA with a DC PIR Sensor
 48mA with a DC Microwave Sensor
0-10V DIMMING: 12-24VDC
SIZE: 2.30in x 1.43in x 0.75in
 (58.2mm x 36.4mm x 19mm)
MOUNTING: Removable mounting tabs
WEIGHT: 0.45 oz (16g)
OPERATING TEMP: -22°F to +158°F (-30°C to + 70°C)

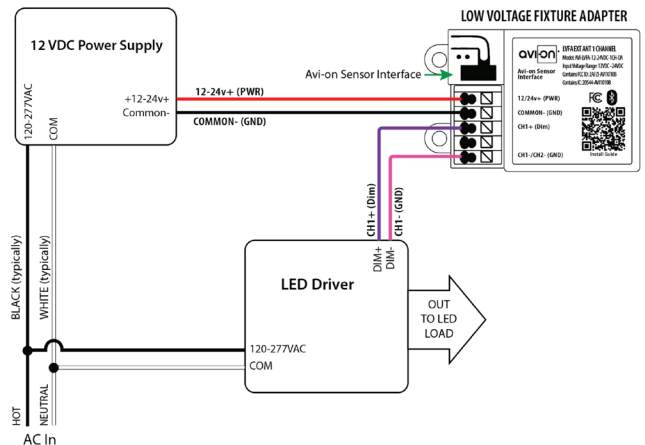
RADIO FREQUENCY: 2.4GHz
WIRELESS STANDARD: BLE 4.2 with Mesh
POINT TO POINT RANGE*: 80ft with obstructions
 350ft unobstructed
SECURITY: AES 128-bit encryption for device to device communication
 AES 256-bit encryption for device to cloud communication
WARRANTY: 5 years; 10 years optional
REGULATORY: FCC: 2AFZI-AVI1010 B
 IC: 20544-AVI1010 B
 BQB: D031801, DID: 86303
 UL 916, 2043 (Plenum Rated)

*When communicating through the mesh, range is essentially unlimited (5000ft+)

WIRING DIAGRAM



Fixture adapter powered by LED driver auxiliary output



Fixture adapter connected to LED driver and using power supply

FEATURE

- **Installation:** Factory Install - Integral to Fixture
- **Commissioning:** Wirelessly through ALS Control Mobile App (iOS / Android)
- **Certification:** DLC 5.1 Networked Lighting Control System
- **Control:** Hold time, High-Low setting, continuous Bi-level dimming, Code-compliant manual-on or auto-off capability
- **Sensor:** Motion (Occupancy/Vacancy/Manual)
- **Room and Zone Control:** Zoning and Grouping control, Scheduling

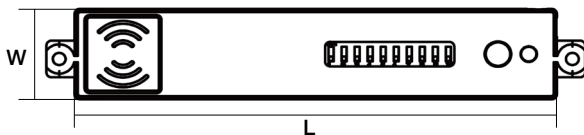


SPECIFICATIONS

SENSOR TYPE: Microwave
WIRELESS STANDARDS: Bluetooth SIG Mesh
INPUT VOLTAGE: 10-14VDC, >50mA
CONTROL OUTPUT: 0-10V
OPERATING TEMP: -40°F ~ +158°F (-40°C ~ +70°C)

COMMISSIONING RANGE: 50FT
BLUETOOTH RANGE: Integral antenna up to 164FT
DETECTION ANGLE: 360°
MOUNTING HEIGHT: Up to 13FT
WARRANTY: 5 years
IP RATING: IP20

DIMENSIONS



| L | W |
|-----------------|-------------------|
| 3.70" (94mm) | 0.73" (18.5mm) |

COVERAGE PATTERNS

