

**WNA SERIES SELECTABLE SEMI-CUTOFF WALL PACK**

**CONSTRUCTION**

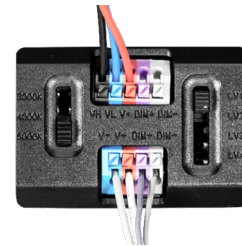
Cast aluminum frame holds lens and seals to housing gasket with two stainless steel screws. Door assembly hinges to side, cast aluminum housing with three 1/2" conduit entries (on top and sides), for surface conduit.

**OPTICS**

Borosilicate glass refractor softens LED image and provides uniform distribution and glare control. CCT and output selectable between 3000K ~ 5000K (80 CRI) configuration settings.

**ELECTRICAL**

80+ CRI Lumileds LED.  
 -40°C up to 45°C (-40°F up to 113°F) maximum operating temperature.  
 150,000hr LED at L70 @ 25°C, 120,000hr LED at L70 @ 40°C.  
 Driver operates at 120-277V input, 50/60Hz, <20% THD, 0.9 power factor.  
 WNA-8 model output selectable between 25W / 40W / 60W / 80W. Default setting: 5000K, 80W  
 WNA-10 model output selectable between 60W / 80W / 100W / 120W. Default setting: 5000K, 120W  
 0-10V dimming driver, button photocontrol standard.  
 Optional 10kV surge protector. Optional 347V / 480V Driver.  
 Optional Self-Diagnostic emergency back up.  
 Optional Self-Diagnostic Sub-Zero emergency back up.



**SENSORS (OPTIONAL)**

SENSOR-823 Integral PIR on/off/dimming/photosensing. (120-277V)  
 SENSOR-820 Integral PIR on/off/dimming/photosensing. (120-480V)  
 SENSOR-PH-PB-U Integral button style photocell. (120-277V)  
 CONTROL-AVI-LVFA AVI-ON Bluetooth Mesh Controller. (AUX-12V)

**MOUNTING**

Wall mount over electrical box or via surface conduit.

**FINISH**

Standard: Corrosion resistant Dark Bronze powder coating finish.

**CUSTOM FINISH**

Black, Graphite Metallic, Gray, Silver, and White, or custom RAL#

**CERTIFICATION**

Wet Location listed.  
 Option for "Assembled in America" upon request.  
 IDA compliant: with 3000K color temperature selection.  
 Title 24 compliant; see local ordinance for qualification information.  
 All luminaires are built to UL1598 standards and bear appropriate cETLus labels.  
 For Emergency application, equipped with UL924 certified battery packs.  
 DLC® Premium (DesignLights Consortium Qualified) listed.

**WARRANTY**

5 year warranty, see Limited Warranty for additional information.

**SHIPPING DATA**

Product	Measurement	Weight
WNA-80	15"L x 10"W x 9"H	9 lb
WNA-120	15"L x 10"W x 9"H	12 lb



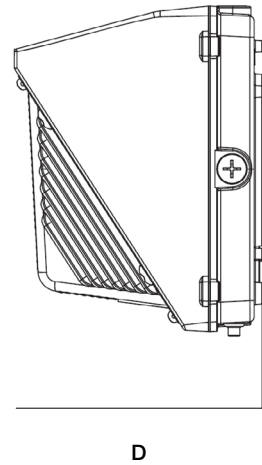
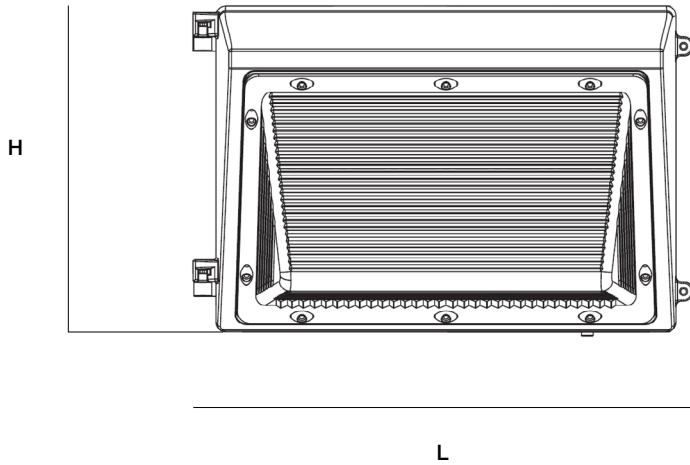
## WNA SERIES SELECTABLE SEMI-CUTOFF WALL PACK

ORDER INFORMATION				EXAMPLE: WNA 80 MC DB UD P			
Fixture	Series	Power & LM	CCT	Finish	Input	Sensor	
	<b>WNA</b>		<b>MC</b>			<b>P</b>	
Accessories Options							
<b>A</b>	<b>SERIES</b>						
	WNA	Selectable Semi-Cutoff Wall Pack					
<b>B</b>	<b>POWER &amp; LM</b>						
	Code	Power	LM				
	80	25W / 40W / 60W / 80W	3125lm - 11120lm				
	120	60W / 80W / 100W / 120W	5000lm - 16200lm				
<b>C</b>	<b>CCT</b>						
	MC	CCT Selectable: 3000K ~ 5000K					
<b>D</b>	<b>FINISH</b>						
	Standard						
	DB	Dark Bronze					
	Custom Color						
	CC	BK	Black	GM	Graphite Metallic	GR	Gray
		SV	Silver	WH	White	RAL#	
<b>E</b>	<b>INPUT</b>						
	UNVD	110-277V, 0-10V Dimmable					
	HVLD	347-480V, 1-10V Dimmable					
<b>F</b>	<b>SENSOR</b>						
	P	Button Photocell - Standard					
<b>G</b>	<b>ACCESSORIES/OPTIONS (SEE PG. 5 FOR SENSOR AND EMB SPEC)</b>						
	AIA	Assembled in America, compliant with BAA (COTS)					
	REMOTE-RC100	Handheld Remote Commissioning Tool for SENSOR-823, 820 Series					
	EMB-8W-B	Integral Emergency Battery (8W)					
	EMB-18W-B	18W Integral Self-Diagnostic Emergency Battery, Operating Temp: 0C ~ 50C					
	EMB-18W-C-B	18W Integral Self-Diagnostic Cold Weather Emergency Battery, Operating Temp -20C ~ 50C					
	SENSOR-820-M8-L3	Integral PIR on/off/dimming/photosensing (120-480V)					
	SENSOR-823-3	Integral PIR on/off/dimming/photosensing (120-277V) / <b>L3:</b> up to 40FT, <b>L4:</b> up to 8FT					
	SENSOR-PH-PB-U	Button Style Photocell (120-277V)					
	SURGE-LSP4-U/H	10kV inline Surge Protection for Universal input <b>U:</b> 120-277V, <b>H:</b> 480V input					
	CONTROL-AVI-LVFA	AVI-ON Bluetooth Mesh Control System (DC Power by Driver)					

**WNA SERIES SELECTABLE SEMI-CUTOFF WALL PACK**

**DIMENSIONS**

Model	H	L	D
WNA-80	9.25" (235mm)	14.25" (362mm)	7.40" (187mm)
WNA-120	9.25" (235mm)	14.25" (362mm)	7.40" (187mm)



**WNA SERIES SELECTABLE SEMI-CUTOFF WALL PACK**

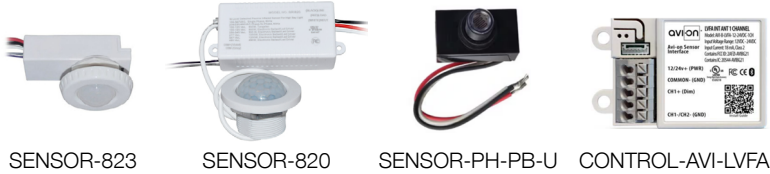
**PERFORMANCE DATA / DLC CODE**

SYSTEM WATTS	CCT	VOLTAGE	LUMEN	LPW	QTY ON PALLET	PART NUMBER	DLC PRODUCT ID / ORDER CODE	DLC CLASS
WNA-80 25W Selection	3000K ~ 5000K	120-277V	3125	125	96	WNA-80MC-DBUNVD-P	ALS: WNA-80-MC-DB-UNVD-P Product ID: PLFBGHMX5ZIV	DLC 5.1 Premium
WNA-80 40W Selection	3000K ~ 5000K	120-277V	5000	125	96	WNA-80MC-DBUNVD-P	ALS: WNA-80-MC-DB-UNVD-P Product ID: PLFBGHMX5ZIV	DLC 5.1 Premium
WNA-80 60W Selection	3000K ~ 5000K	120-277V	7500	125	96	WNA-80MC-DBUNVD-P	ALS: WNA-80-MC-DB-UNVD-P Product ID: PLFBGHMX5ZIV	DLC 5.1 Premium
WNA-80 80W Selection	3000K ~ 5000K	120-277V	11120	139	96	WNA-80MC-DBUNVD-P	ALS: WNA-80-MC-DB-UNVD-P Product ID: PLFBGHMX5ZIV	DLC 5.1 Premium
WNA-120 60W Selection	3000K ~ 5000K	120-277V	8100	135	96	WNA-120MC-DBUNVD-P	ALS: WNA-120-MC-DB-UNVD-P Product ID: S-SC3U17	DLC 5.1 Premium
WNA-120 80W Selection	3000K ~ 5000K	120-277V	11120	139	96	WNA-120MC-DBUNVD-P	ALS: WNA-120-MC-DB-UNVD-P Product ID: S-SC3U17	DLC 5.1 Premium
WNA-120 100W Selection	3000K ~ 5000K	120-277V	13000	129	96	WNA-120MC-DBUNVD-P	ALS: WNA-120-MC-DB-UNVD-P Product ID: S-SC3U17	DLC 5.1 Premium
WNA-120 120W Selection	3000K ~ 5000K	120-277V	16200	135	96	WNA-120MC-DBUNVD-P	ALS: WNA-120-MC-DB-UNVD-P Product ID: S-SC3U17	DLC 5.1 Premium

**WNA SERIES SELECTABLE SEMI-CUTOFF WALL PACK**

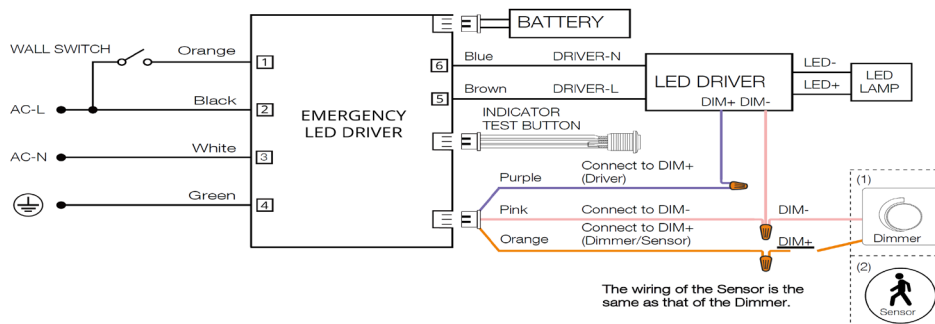
**SENSOR SPEC**

Model	Type	Mounting	Coverage	Input	Function	Programmable
SENSOR-823	PIR	L3 - 40FT L4 - 8FT	30FT radius 24FT radius	Universal	On/Off/Dimming	REMOTE-RC100
SENSOR-820	PIR	up to 40FT	30FT radius	100 ~ 480V	On/Off/Dimming Daylight Harvesting	REMOTE-RC100
SENSOR-PH-PB-U	-	-	-	Universal	Dusk-to-Dawn Control	-
CONTROL-AVI-LVFA (see page 6 for detail)	-	-	-	12V DC	Bluetooth Mesh On/Off/Dimming	Bluetooth App



**EMB SPEC**

Model	Battery Capacity	Input	Output	Output Power	Operating Temp	Installation
EMB-8W-B	90mins	100-347VAC	170VDC	8W	0°C ~ 50°C 32°F ~ 122°F	Factory or Field Install
EMB-18W-B	90mins	100-347VAC	170VDC	18W	0°C ~ 50°C 32°F ~ 122°F	Factory or Field Install
EMB-18W-C-B	90mins	100-347VAC	170VDC	18W	-20C ~ 50C -4°F ~ 122°F	Factory or Field Install



**WNA SERIES SELECTABLE SEMI-CUTOFF WALL PACK**

**CONTROL-AVI-LVFA**

**Status LEDs & Config Button**

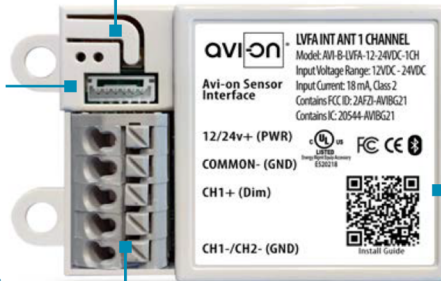
Quick and easy validation of wiring and network

**Direct Connect™ Sensor Port**

Simple and cost-effective addition to Avi-on sensors

**Terminal Blocks & Mounting Tabs**

Faster, easier and lower cost installation eliminating connectors



**Internal Antenna**

Improved performance and eliminates risk of accidentally cutting a hanging wire

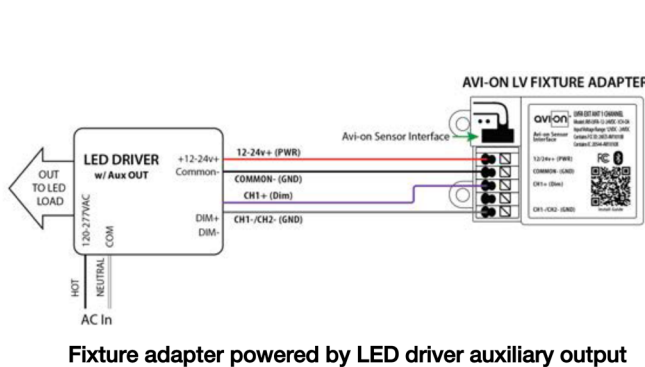
**Specification**

**Input Voltage:** 12-24VDC  
**Current:** 15mA without a Sensor  
 19mA with a DC PIR Sensor  
 48mA with a DC Microwave Sensor  
**0-10V Dimming:** 12-24VDC  
**Size:** 2.30in x 1.43in x 0.75in  
 (58.2mm x 36.4mm x 19mm)  
**Mounting:** Removable mounting tabs  
**Weight:** 0.45 oz (16g)  
**Terminal Blocks:** 22-16AWG wires  
**Operating Temp:** -22F to +158F (-30C to + 70C)

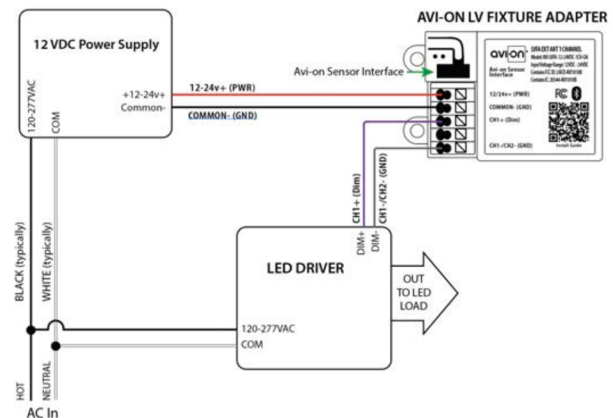
**Radio Frequency:** 2.4GHz  
**Wireless Standard:** BLE 4.2 with Mesh  
**Point to Point Range\*:** 80ft with obstructions and 350ft unobstructed  
**Security:** AES 128-bit encryption for device to device communication  
 AES 256-bit encryption for device to cloud communication  
**Warranty:** 5 years; 10 years optional  
**Regulatory:** FCC: 2AFZI-AV1010 B  
 IC: 20544-AV1010 B  
 BQB: D031801, DID: 86303  
 UL 916, 2043 (Plenum Rated)

\*When communicating through the mesh, range is essentially unlimited (5000ft+)

**Wiring Diagram**



**Fixture adapter powered by LED driver auxiliary output**



**Fixture adapter connected to LED driver and using power supply**