



SMPR SERIES SURFACE MOUNT PANEL ROUND

Client:
Project:
Type:
Quantity:

CONSTRUCTION

Aluminum housing, available in 5", 7", 9" and 12" aperture. Entire luminaire as heat dissipation system, designed for general illumination application for long life and service period.

OPTICS

Edgelit panel, durable PMMA lens, gasketed and sealed prevent splash of water or dust object from entry.

ELECTRICAL

Available in 80 or 90+ CRI LEDs.
120V Input Triac or ELV dimming.
5 CCT Selectable light engine 2700~5000K.
Greater than 70% LED lumen maintenance at 50,000 hours.
Optional: External Emergency Battery 120V Input

CONTROL (OPTIONAL)

CONTROL-XFAC AVI-ON Bluetooth Zone Controller Adapter

MOUNTING

New Construction: Surface Mount to standard depth 4" J-box.
Retrofit: Torsion spring clips design to hold luminaire in 5~8" downlight housing.

STANDARD FINISH

Corrosion resistant White finish.
Magnetic decorative trims available in Satin Nickel, Black, and Chrome.

CERTIFICATION

IP44 Wet location listed.
Meets Buy America Act requirements.
All luminaires are built to UL1598 standards and bear appropriate cETLus labels.
Title 24 compliant; see local ordinance for qualification information.
FCC Certified.

WARRANTY

5 year warranty, see Limited Warranty for additional information.



Magnetic Trim

Product	Measurement
SMPR-5	6"L x 6"W x 2"H
SMPR-7	8"L x 8"W x 2"H
SMPR-9	10"L x 10"W x 2"H
SMPR-12	13"L x 13"W x 2"H



SMPR SERIES SURFACE MOUNT PANEL ROUND

ORDER INFORMATION **EXAMPLE : SMPR 7 SC WH S**

Fixture	Series	Model	CCT	Finish	Input
	SMPR		SC	WH	S

Accessories
Options

A SERIES

SMPR Surface Mount Panel Round

B MODEL

CODE	TRIM TYPE	POWER	LM
5	5-inch aperture	8W	550
7	7-inch aperture	12W	840
9	9-inch aperture	18W	1280
12	12-inch aperture	24W	1680

C CCT

8SC	80 CRI Field Selectable 2700/3000/3500/4000/5000K
9SC	90 CRI Field Selectable 2700/3000/3500/4000/5000K

D FINISH

WH White finish

E INPUT

S 120V Input Triac / ELV Dimming

F ACCESSORIES/OPTIONS

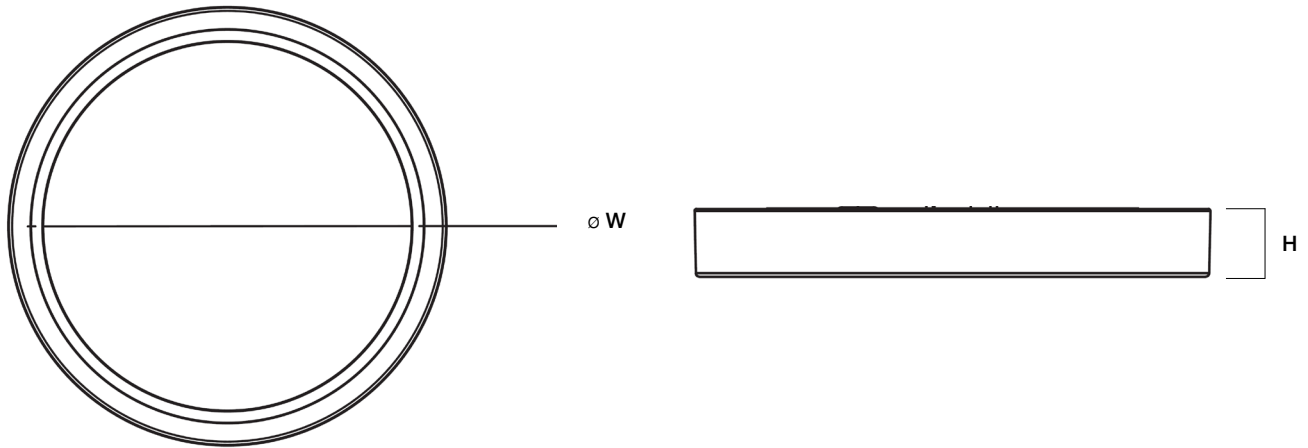
AIA	Assembled in America, compliant with BAA (COTS)
EMB-H18170*	High Voltage Output Smart Emergency Battery 18W 100-347VAC Input 170VDC Output
EMB-H40170*	High Voltage Output Smart Emergency Battery 40W 100-347VAC Input 170VDC Output
SMPR-TRIM-5- ____	SMPR-5 Magnetic Decorative Trim SN - Satin Nickel BK - Black CM - Chrome
SMPR-TRIM-7- ____	SMPR-7 Magnetic Decorative Trim SN - Satin Nickel BK - Black CM - Chrome
SMPR-TRIM-9- ____	SMPR-9 Magnetic Decorative Trim SN - Satin Nickel BK - Black CM - Chrome
SMPR-TRIM-12- ____	SMPR-12 Magnetic Decorative Trim SN - Satin Nickel BK - Black CM - Chrome
CLIP-SMPR	Torsion spring clips design for retrofit to hold luminaire in 5", 6", 8" downlight housing.
CONTROL-XFAC*	AVI-ON Bluetooth Zone Controller Adapter

*see page 4 for sensor and emb spec

SMPR SERIES SURFACE MOUNT PANEL ROUND

DIMENSIONS

MODEL	W	H
SMPR-5	Ø 5" (Ø 127mm)	0.5" (13mm)
SMPR-7	Ø 7" (Ø 178mm)	0.5" (13mm)
SMPR-9	Ø 9" (Ø 229mm)	0.5" (13mm)
SMPR-12	Ø 12" (Ø 305mm)	0.5" (13mm)



APPLICATION

Surface Mount
 (Standard)

J-Box not included



Retrofit
 (Part# **CLIP-SMPR** Required)

Downlight housing not included



SMPR SERIES SURFACE MOUNT PANEL ROUND

SENSOR SPEC

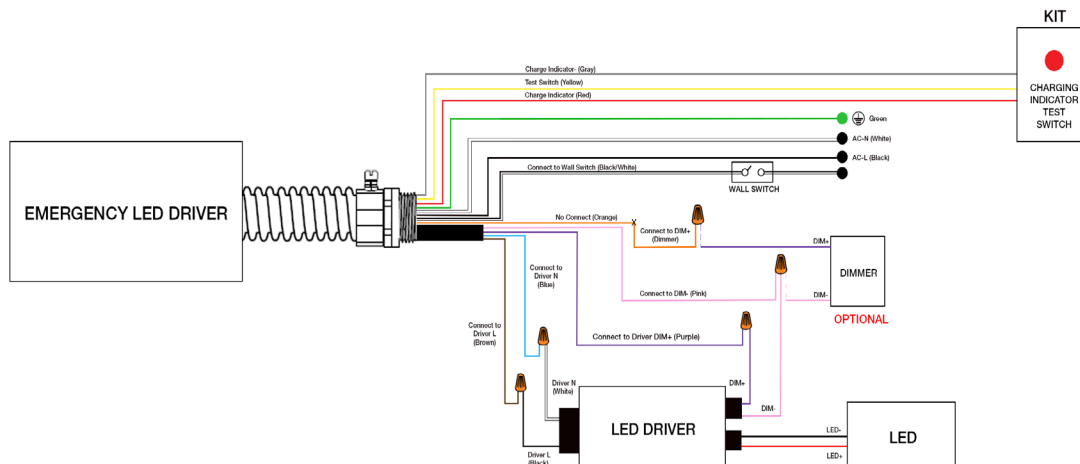
Model	Type	Mounting	Coverage	Input	Function	Programmable
CONTROL-XFAC (see page 5 for detail)	Fixture Controller	-	-	100-277VAC	Bluetooth On/Off/Dimming Scheduling	AVI-ON Bluetooth Mobile App



CONTROL-XFAC

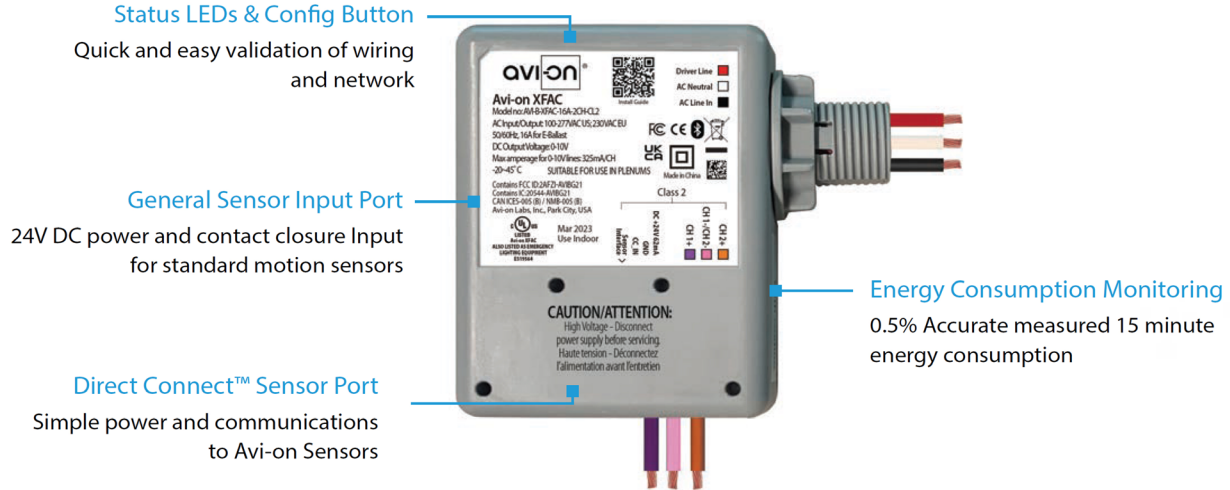
EMB SPEC

Model	Compatible Fixture	Battery Capacity	Input	Output	Output Power	Operating Temp	Installation
EMB-H18170	SMPR-5 / 7 SMPR-9	90mins	100-347VAC	170VDC	18W	0°C ~ 50°C 32°F ~ 122°F	Factory or Field Install
EMB-H40170	SMPR-12	90mins	100-347VAC	170VDC	40W	0°C ~ 50°C 32°F ~ 122°F	Factory or Field Install



SMPR SERIES SURFACE MOUNT PANEL ROUND

CONTROL-XFAC SPEC



SPECIFICATIONS

INPUT VOLTAGE:	100-277VAC	RADIO FREQUENCY:	50/60Hz
CURRENT:	MIN: 20 / 14mA MAX: 81 / 46mA	RELAY CURRENT:	16A
0-10V DIMMING:	100-277VAC	PROTECTION/IMMUNITY:	LEVEL 4
SIZE:	3.58" x 3.58" x 1.57" (91mm x 91mm x 40mm)	AMPERAGE FOR 0-10V LINES:	Contact Discharge: ± 8kV Air Discharge: ±12kV 325mA / CH
STORAGE TEMP:	-40°F to + 185°F (-40°C to + 85°C)	WARRANTY:	5 years
OPERATING TEMP:	-4°F to + 113°F (-20°C to + 45°C)	REGULATORY:	FCC: 2AFZI-AVIBG21 IC: 20544-AVBG21 BQB: D059595, DID: 185220 UL 924, 2043

WIRING DIAGRAM

