

**SPG SERIES MULTI-SPORT**

Client:  
 Project:  
 Type:  
 Quantity:

**CONSTRUCTION**

Single-piece die-cast aluminum modular housing, dynamic thermal management design that maximizes heat dissipation, substantially increasing life of the luminaire. Available with single, duo or trio-module configuration to meet various project requirements. Low wind-load design, light weight, EPA friendly.

**OPTICS**

Precisely engineered optics aim light to uniformly illuminate the field Available with 20, 30, 60, 90 Degree and NEMA 6H x 4V distribution. Maximum delivered lumen up to 51,200LM. Optional light shield for glare control and prevent light spill.

**ELECTRICAL**

-40°C minimum to +50°C maximum operating temperature. Standard 120-277V Universal input 0-10V Dimming driver. RoHS compliant electronic Class I drivers expected life of 100,000 hours <1% failure rate, >.9 power factor, <20% total harmonic distortion. Optional 10kV surge protector. Optional 347-480V input 0-10V Dimming driver.

**CONTROL (OPTIONAL)**

CONTROL-LVFA AVI-ON Bluetooth Mesh Controller.

**MOUNTING**

Standard equipped with 30DEG tiltable trunnion mount (TR) for surface mount application. Optional 2-3/8" Slipfitter adapter (SF) can be installed onto (TR) mount for tenon top mounting application.

**STANDARD FINISH**

Black UV stabilized polyester powder paint finish. Optional Corrosion Resistant Package (CRP): Stainless steel bracket and fasteners, housing treated with E-coating and corrosion resistant paint.

**CERTIFICATION**

Meets Buy America Act requirements. IP66 Wet location label standard. ANSI C136.31-2018 3G Vibration Tested. All luminaires are built to UL1598 standards and bear appropriate cETLus labels. DLC® Premium (DesignLights Consortium Qualified).

**WARRANTY**

5 year warranty, see Limited Warranty for additional information.



SPG-320



SPG-240 w/SHIELD



SPG-240 w/SF Mount

**SHIPPING DATA**

Product	Measurement	Weight
SPG-240	15"L x 11"W x 8"H	15 lb
SPG-320	28"L x 11"W x 8"H	20 lb



**SPG SERIES MULTI-SPORT**

**ORDER INFORMATION** **EXAMPLE: SPG 240 40 60 BK UNVD**

Fixture	Series	Power & LM	CCT	Distribution	Finish	Input
	<b>SPG</b>					

Mounting

Accessories  
Options

**A SERIES**

**SPG** Multi-Sport Luminaire

**B POWER & LM**

Code	Power	LPW (Avg.)	Code	Power	LPW (Avg.)
<b>150</b>	150W, 24,000LM	160	<b>240</b>	240W, 38,400LM	160
<b>200</b>	200W, 32,000LM	160	<b>320</b>	320W, 51,200LM	160

150W, 200W are dialed down model from 240W

**C CCT**

<b>40</b>	4000K
<b>50</b>	5000K

**D DISTRIBUTION**

<b>20</b>	20°	<b>90</b>	90°
<b>30</b>	30°	<b>N64</b>	100° H x 60° V
<b>60</b>	60°		

**E FINISH**

<b>BK</b>	Black Finish
<b>BK-CRP</b>	Corrosion Resistant Package: Stainless Steel bracket & fasteners, housing treated with E-coating and corrosion resistant paint

**F INPUT**

<b>UNVD</b>	100-277V input, 1-10V dimmable	<b>HVLD</b>	347-480V input, 1-10V dimmable
-------------	--------------------------------	-------------	--------------------------------

**G MOUNTING**

<b>TR</b>	Standard 30DEG Tiltable Trunnion Mount
<b>MOUNT-SPG-SF-BK</b>	2-3/8" Slipfitter Mount (attachment to Trunnion Mount)

**H ACCESSORIES/OPTIONS**

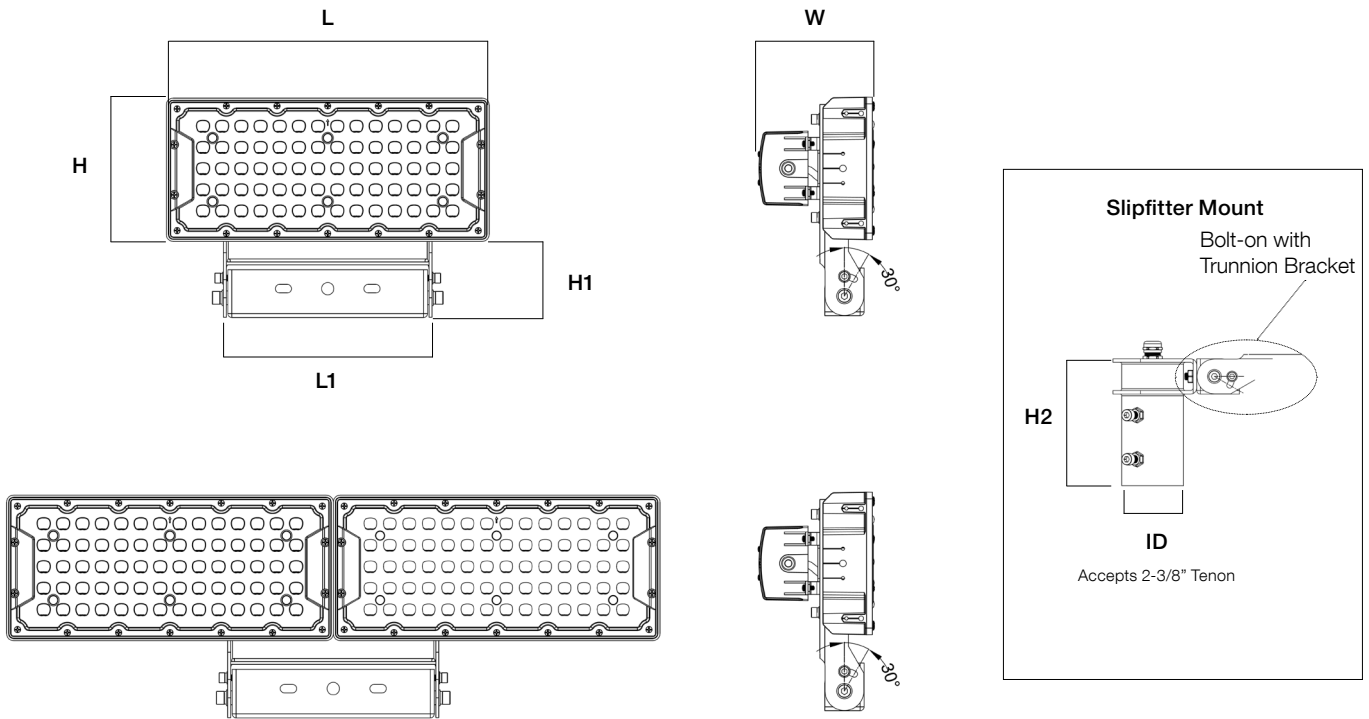
<b>AIA</b>	Assembled in America, compliant with BAA (COTS)
<b>SHIELD-SPG-A-BK</b>	2-Piece Glare Shield (front and back) for SPG-240 model (Shield tiltable up to 60DEG)
<b>SHIELD-SPG-B-BK</b>	2-Piece Glare Shield (front and back) for SPG-320 model (Shield tiltable up to 60DEG)
<b>LASER-SPQ</b>	Laser Pointer for Aiming Purpose
<b>SURGE-LSP4-U / H</b>	10kV inline Surge Protection for Universal input / <b>U</b> : 120-277V, <b>H</b> : 480V input
<b>CONTROL-LVFA*</b>	AVI-ON Bluetooth Mesh Control System

\*see page 4 for CONTROL spec

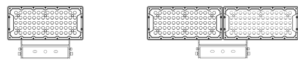
**SPG SERIES MULTI-SPORT**

**DIMENSIONS**

Model	Module	L	L1	H	H1	W	H2	ID
SPG-150/200/240	1	12.91" (328mm)	-	5.73" (146mm)	-	4.62" (117mm)	-	-
SPG-320	2	21.75" (553mm)	-	5.73" (146mm)	-	4.62" (117mm)	-	-
Trunnion Mount	-	-	8.35" (212mm)	-	3.04" (77mm)	-	-	-
Slipfitter Mount Attach to Trunnion Mount	-	-	-	-	-	-	6.32" (160mm)	Ø 2.48" (63mm)



**EPA**



Trunnion                      Trunnion

SPG-150/200/240

0.513

SPG-320

0.865

**SPG SERIES MULTI-SPORT**

**CONTROL SPEC**

Model	Type	Mounting	Coverage	Input	Function	Programmable
CONTROL-LVFA (see page 5 for detail)	Fixture Controller	-	-	12V DC	Bluetooth Mesh On/Off/Dimming Scheduling	AVI-ON Bluetooth Mobile App



CONTROL-LVFA

**SPG SERIES MULTI-SPORT**

**CONTROL-LVFA SPEC**

**Status LEDs & Config Button**

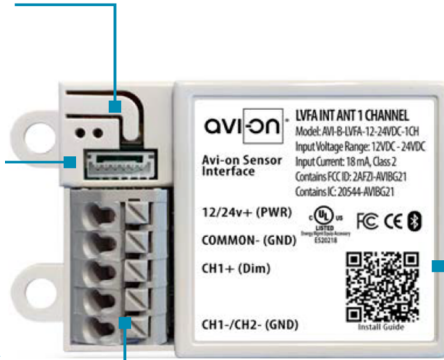
Quick and easy validation of wiring and network

**Direct Connect™ Sensor Port**

Simple and cost-effective addition to Avi-on sensors

**Terminal Blocks & Mounting Tabs**

Faster, easier and lower cost installation eliminating connectors



**Internal Antenna**

Improved performance and eliminates risk of accidentally cutting a hanging wire

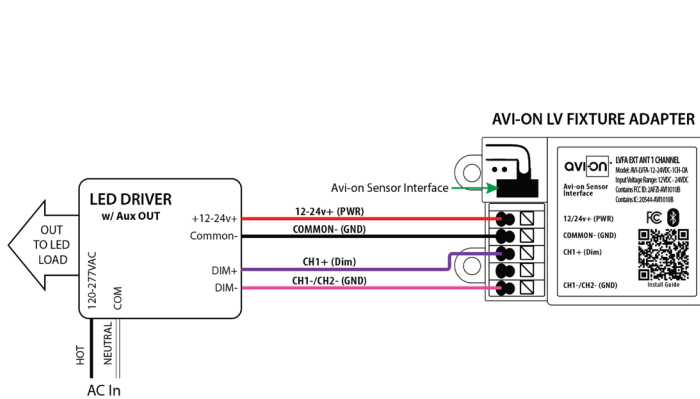
**SPECIFICATIONS**

**INPUT VOLTAGE:** 12-24VDC  
**CURRENT:** 15mA without a Sensor  
 19mA with a DC PIR Sensor  
 48mA with a DC Microwave Sensor  
**0-10V DIMMING:** 12-24VDC  
**SIZE:** 2.30in x 1.43in x 0.75in  
 (58.2mm x 36.4mm x 19mm)  
**MOUNTING:** Removable mounting tabs  
**WEIGHT:** 0.45 oz (16g)  
**OPERATING TEMP:** -22°F to +158°F (-30°C to + 70°C)

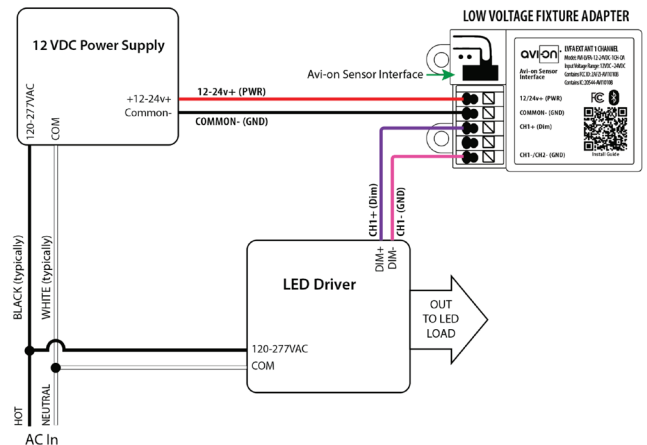
**RADIO FREQUENCY:** 2.4GHz  
**WIRELESS STANDARD:** BLE 4.2 with Mesh  
**POINT TO POINT RANGE\*:** 80ft with obstructions  
 350ft unobstructed  
**SECURITY:** AES 128-bit encryption for device to device communication  
 AES 256-bit encryption for device to cloud communication  
**WARRANTY:** 5 years; 10 years optional  
**REGULATORY:** FCC: 2AFZI-AVI1010 B  
 IC: 20544-AVI1010 B  
 BQB: D031801, DID: 86303  
 UL 916, 2043 (Plenum Rated)

\*When communicating through the mesh, range is essentially unlimited (5000ft+)

**WIRING DIAGRAM**



Fixture adapter powered by LED driver auxiliary output



Fixture adapter connected to LED driver and using power supply