

LPA SERIES G2 SELECTABLE BACKLIT PANEL

Client:
 Project:
 Type:
 Quantity:

CONSTRUCTION

Low profile extruded aluminum frame, all corners are rounded for safe handling. Multiple wiring entrances on driver enclosure for easy access. The backplate includes integral T-bar clips for installation into T-grid ceilings.

OPTICS

Backlit design provides exceptional lighting distribution. Frosted PMMA lens offers edge to edge illumination without pixilation or bright spots.

ELECTRICAL

Long-life, high-efficacy, micro-power LEDs, illumination for extended service life. Greater than 70% LED lumen maintenance at 100,000 hours (L70>100,000).

Selectable lumen and CCT technology allows easy field-adjustable capability, luminaire ships with maximum output and 4000K CCT setting.

All CCTs are within 3 MacAdam ellipses, 80CRI.

Special made 90CRI LED, consult factory.

Driver operates at 120-277V input, 0-10V dimmable driver, dim-to-off voltage threshold of optional 12V AUX integrated driver ranges from 0.1V to 0.5V.

MOUNTING

Designed to accommodate lay-in ceilings, Slot T, and T-bar suspension system for 5/8" and 3/8" width. Built-in earthquake clips come standard.

Surface/cable mount applications, use surface/cable kit accessories.

Plaster or sheetrock installations, select flange kit.

Hard ceiling application, select hard ceiling kit.

SENSORS (OPTIONAL)

SENSOR-BLE-7 Integral Microwave Bluetooth Wireless Motion/on/off/dimming/ photosensing.

SENSOR-ANT-7 Integral Microwave Motion/on/off/dimming/photosensing.

CONTROL-AVI-LVFA AVI-ON Bluetooth Mesh Controller.

STANDARD FINISH

90% minimum average reflective white polyester powder coat bonded to phosphate-free, multi-stage pretreated metal. All parts painted after fabrication to facilitate installation, increase efficiency, and inhibit corrosion.

CUSTOM FINISH

AkzoNobel Interpon 600 Series anti-microbial White / Clear coating for healthcare application.

CERTIFICATION

Meets Buy America Act requirements.

IC Rated, suitable for Damp location.

All luminaires are built to UL1598 standards and bear appropriate cULus labels.

For Emergency application, equipment with UL924 certified battery packs.

DLC[®] Standard (DesignLights Consortium Listed)

WARRANTY

5 year warranty, see Limited Warranty for additional information.



SHIPPING DATA

Product	Measurement	Weight
LPA-G2-1 (4-pack)	49"L x 13"W x 6"H	23 lb
LPA-G2-2 (4-pack)	26"L x 26"W x 6"H	20 lb
LPA-G2-4 (4-pack)	49"L x 26"W x 6"H	38 lb



LPA SERIES G2 SELECTABLE BACKLIT PANEL

ORDER INFORMATION **EXAMPLE: LPA G2 2 BACKLIT**

Fixture	Series	Model	Finish	Input
	LPA-G2			blank

Mounting

**Accessories
Options**

A SERIES

LPA-G2 Selectable Lumen and CCT Panel, Generation 2

B MODEL

Code	Size	Power	CCT	lm/W (avg.)
1-BACKLIT	1x4	20W / 25W / 30W / 35W / 40W	3000K / 3500K / 4000K / 5000K / 6500K	110lm/W
2-BACKLIT	2x2	20W / 25W / 30W / 35W / 40W	3000K / 3500K / 4000K / 5000K / 6500K	110lm/W
4-BACKLIT	2x4	25W / 30W / 35W / 40W / 50W	3000K / 3500K / 4000K / 5000K / 6500K	110lm/W

C FINISH

WH	White
AMP	Antimicrobial White Finish, AkzoNobel Interpon 600 Series Anti-Microbial White / Clear coating for healthcare application

D INPUT

blank	120-277V, 0-10V Dimming w/12V AUX Output	MD	120-347V, 0-10V Dimming w/12V AUX Output
--------------	--	-----------	--

E MOUNTING

blank	Standard lay-in
MOUNT-LP-14-FGK	1x4 Flange Kit (Plaster, Sheetrock or Drywall)
MOUNT-LP-22-FGK	2x2 Flange Kit (Plaster, Sheetrock or Drywall)
MOUNT-LP-24-FGK	2x4 Flange Kit (Plaster, Sheetrock or Drywall)
MOUNT-LP-14-SMK	1x4 Surface Mount Kit for LPA-1
MOUNT-LP-22-SMK	2x2 Surface Mount Kit for LPA backlit
MOUNT-LP-24-SMK	2x4 Surface Mount Kit for LPA backlit
MOUNT-LP-PMK	Aircraft Cable Pendant Mount

F ACCESSORIES/OPTIONS

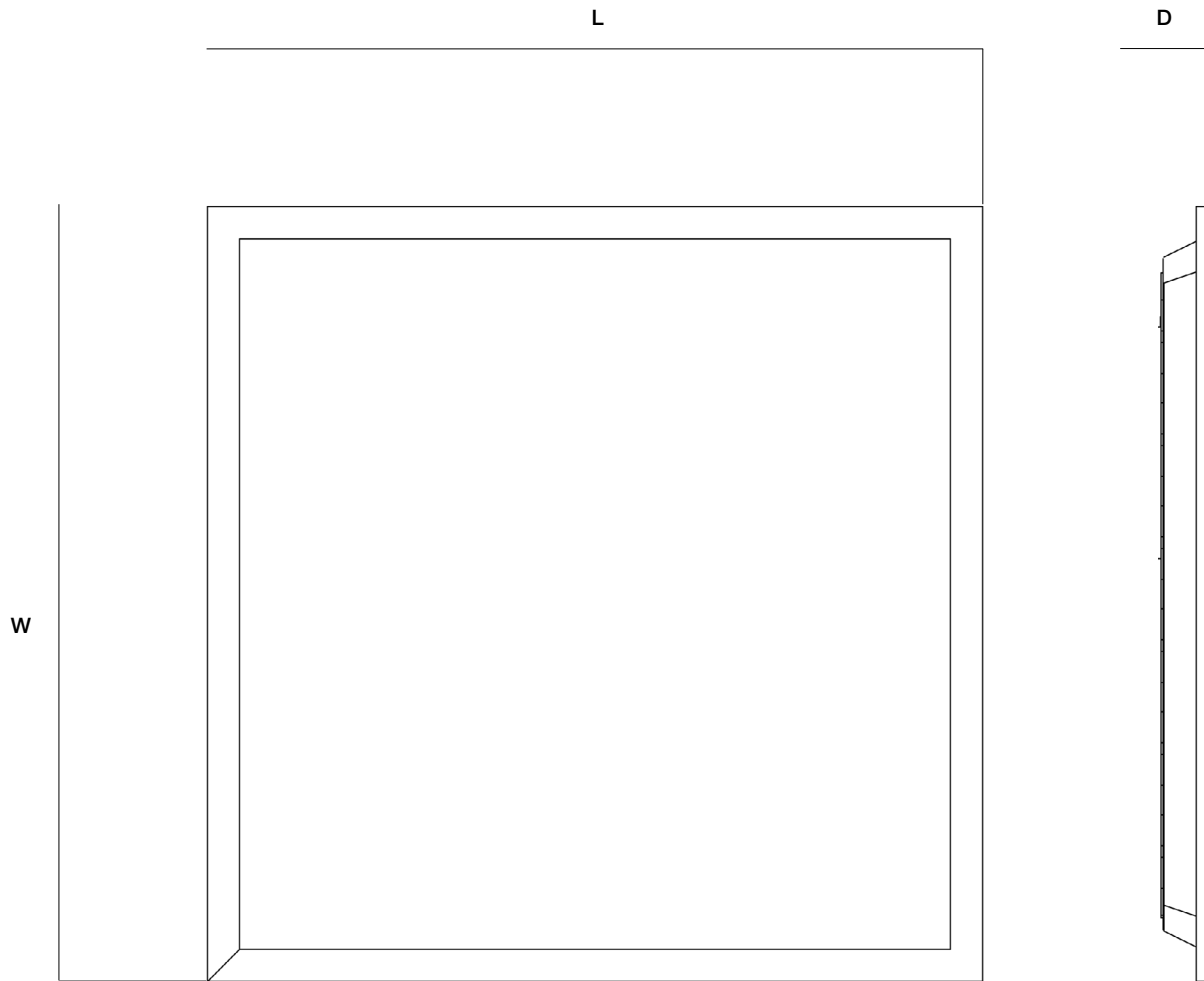
AIA	Assembled in America, compliant with BAA (COTS)
EMB-H08170*	External EMB 8W
EMB-H18170*	External EMB 18W
SENSOR-BLE-7*	Integral Microwave Bluetooth Wireless Bi-Level Motion Sensor (ALS Control Mobile App)
SENSOR-ANT-7*	Integral Microwave Bi-Level Motion Sensor
CONTROL-LVFA*	AVI-ON Bluetooth Mesh Control System
REMOTE-RC100	Handheld Remote Commissioning Tool for SENSOR-ANT (1 per job)
-C	6-Foot Flex
90CRI	90CRI (Special made, consult factory)

*see page 5 for sensor and emb spec

LPA SERIES G2 SELECTABLE BACKLIT PANEL

DIMENSIONS

Model	L	W	D
LPA-G2-1	47.80" (1213mm)	11.90" (301mm)	1.50" (38mm)
LPA-G2-2	23.70" (603mm)	23.70" (603mm)	1.50" (38mm)
LPA-G2-4	47.80" (1213mm)	23.70" (603mm)	1.50" (38mm)



LPA SERIES G2 SELECTABLE BACKLIT PANEL

PERFORMANCE DATA - LPA-G2

SYSTEM WATTS	SIZE	VOLTAGE	LUMEN	LPW	QTY ON PALLET
20W	LPA-G2-1-BACKLIT LPA-G2-2-BACKLIT	120-277V	2200	110	LPA-G2-1-BACKLIT - 120 pcs LPA-G2-2-BACKLIT - 144 pcs
25W	LPA-G2-1-BACKLIT LPA-G2-2-BACKLIT LPA-G2-4-BACKLIT	120-277V	2775	110	LPA-G2-1-BACKLIT - 120 pcs LPA-G2-2-BACKLIT - 144 pcs LPA-G2-4-BACKLIT - 72 pcs
30W	LPA-G2-1-BACKLIT LPA-G2-2-BACKLIT LPA-G2-4-BACKLIT	120-277V	3360	110	LPA-G2-1-BACKLIT - 120 pcs LPA-G2-2-BACKLIT - 144 pcs LPA-G2-4-BACKLIT - 72 pcs
35W	LPA-G2-1-BACKLIT LPA-G2-2-BACKLIT LPA-G2-4-BACKLIT	120-277V	3850	110	LPA-G2-1-BACKLIT - 120 pcs LPA-G2-2-BACKLIT - 144 pcs LPA-G2-4-BACKLIT - 72 pcs
40W	LPA-G2-1-BACKLIT LPA-G2-2-BACKLIT LPA-G2-4-BACKLIT	120-277V	4440	111	LPA-G2-1-BACKLIT - 120 pcs LPA-G2-2-BACKLIT - 144 pcs LPA-G2-4-BACKLIT - 72 pcs
50W	LPA-G2-4-BACKLIT	120-277V	5600	112	LPA-G2-4-BACKLIT - 72 pcs

DLC CODE

Part Number	DLC Product ID	DLC Class
LPA-G2-1-BACKLIT (1x4)	S-EKCAUX	Standard
LPA-G2-2-BACKLIT (2x2)	S-JQ6VLX	Standard
LPA-G2-4-BACKLIT (2x4)	S-V8JOA2	Standard

LPA SERIES G2 SELECTABLE BACKLIT PANEL

SENSOR SPEC

Model	Type	Mounting	Coverage	Input	Function	Programmable
SENSOR-BLE-7 (see page 7 for detail)	Microwave	up to 13FT	17FT radius	12V DC	Bluetooth Mesh On/Off/Dimming Motion Daylight Sensing	ALS Control Bluetooth Mobile App
SENSOR-ANT-7	Microwave	up to 12FT	17FT radius	10V DC	On/Off/Dimming Motion Daylight Sensing	REMOTE-RC100
CONTROL-LVFA (see page 6 for detail)	Fixture Controller	-	-	12V DC	Bluetooth Mesh On/Off/Dimming Scheduling	AVI-ON Bluetooth Mobile App

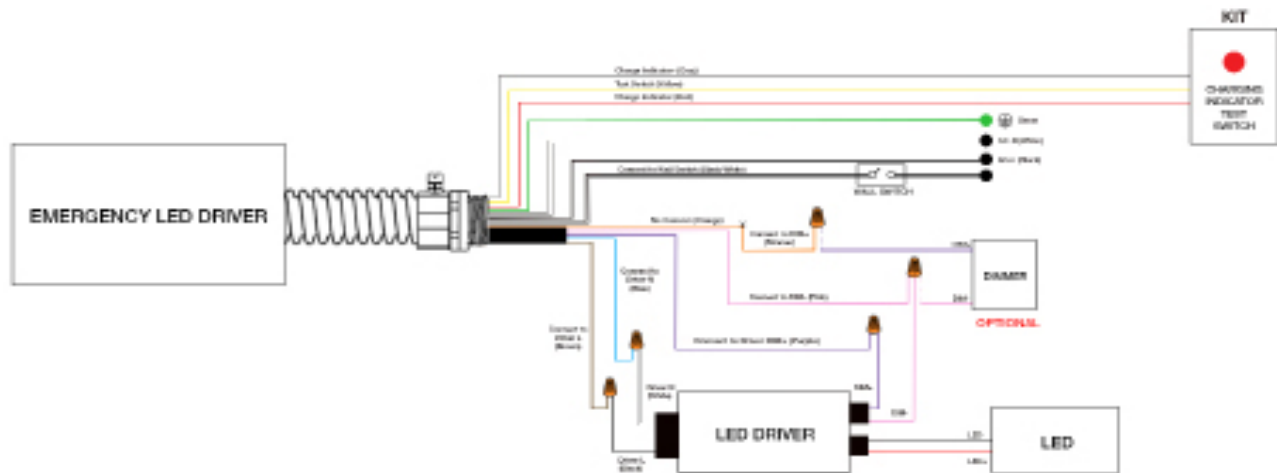


SENSOR-BLE-7
 SENSOR-ANT-7

CONTROL-AVI-LVFA

EMB SPEC

Model	Battery Capacity	Input	Output	Output Power	Operating Temp	Installation
EMB-H08170	90mins	100-347VAC	170VDC	8W	0°C ~ 50°C 32°F ~ 122°F	Factory or Field Install
EMB-H18170	90mins	100-347VAC	170VDC	18W	0°C ~ 50°C 32°F ~ 122°F	Factory or Field Install



LPA SERIES G2 SELECTABLE BACKLIT PANEL

CONTROL-LVFA SPEC

Status LEDs & Config Button

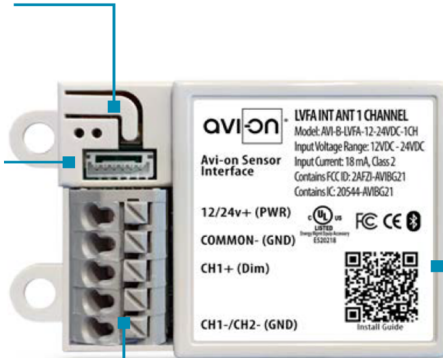
Quick and easy validation of wiring and network

Direct Connect™ Sensor Port

Simple and cost-effective addition to Avi-on sensors

Terminal Blocks & Mounting Tabs

Faster, easier and lower cost installation eliminating connectors



Internal Antenna

Improved performance and eliminates risk of accidentally cutting a hanging wire

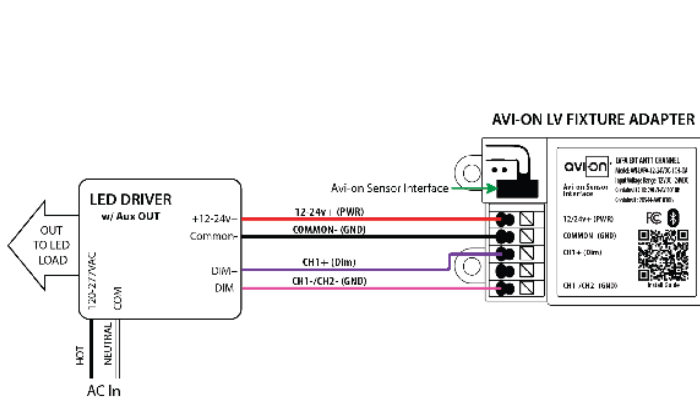
SPECIFICATIONS

INPUT VOLTAGE: 12-24VDC
CURRENT: 15mA without a Sensor
 19mA with a DC PIR Sensor
 48mA with a DC Microwave Sensor
0-10V DIMMING: 12-24VDC
SIZE: 2.30in x 1.43in x 0.75in
 (58.2mm x 36.4mm x 19mm)
MOUNTING: Removable mounting tabs
WEIGHT: 0.45 oz (16g)
OPERATING TEMP: -22°F to +158°F (-30°C to + 70°C)

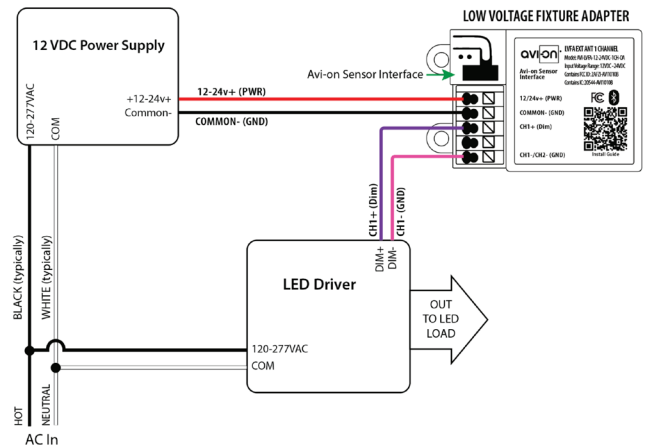
RADIO FREQUENCY: 2.4GHz
WIRELESS STANDARD: BLE 4.2 with Mesh
POINT TO POINT RANGE*: 80ft with obstructions
 350ft unobstructed
SECURITY: AES 128-bit encryption for device to device communication
 AES 256-bit encryption for device to cloud communication
WARRANTY: 5 years; 10 years optional
REGULATORY: FCC: 2AFZI-AVI1010 B
 IC: 20544-AVI1010 B
 BQB: D031801, DID: 86303
 UL 916, 2043 (Plenum Rated)

*When communicating through the mesh, range is essentially unlimited (5000ft+)

WIRING DIAGRAM



Fixture adapter powered by LED driver auxiliary output



Fixture adapter connected to LED driver and using power supply

FEATURE

- **Installation:** Factory Install - Integral to Fixture
- **Commissioning:** Wirelessly through ALS Control Mobile App (iOS / Android)
- **Certification:** DLC 5.1 Networked Lighting Control System
- **Control:** Hold time, High-Low setting, continuous Bi-level dimming, Code-compliant manual-on or auto-off capability
- **Sensor:** Motion (Occupancy/Vacancy/Manual)
- **Room and Zone Control:** Zoning and Grouping control, Scheduling

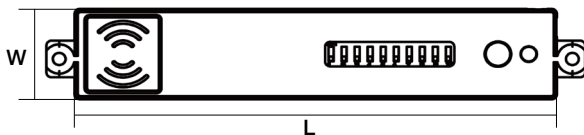


SPECIFICATIONS

SENSOR TYPE: Microwave
WIRELESS STANDARDS: Bluetooth SIG Mesh
INPUT VOLTAGE: 10-14VDC, >50mA
CONTROL OUTPUT: 0-10V
OPERATING TEMP: -40°F ~ +158°F (-40°C ~ +70°C)

COMMISSIONING RANGE: 50FT
BLUETOOTH RANGE: Integral antenna up to 164FT
DETECTION ANGLE: 360°
MOUNTING HEIGHT: Up to 13FT
WARRANTY: 5 years
IP RATING: IP20

DIMENSIONS



L	W
3.70" (94mm)	0.73" (18.5mm)

COVERAGE PATTERNS

